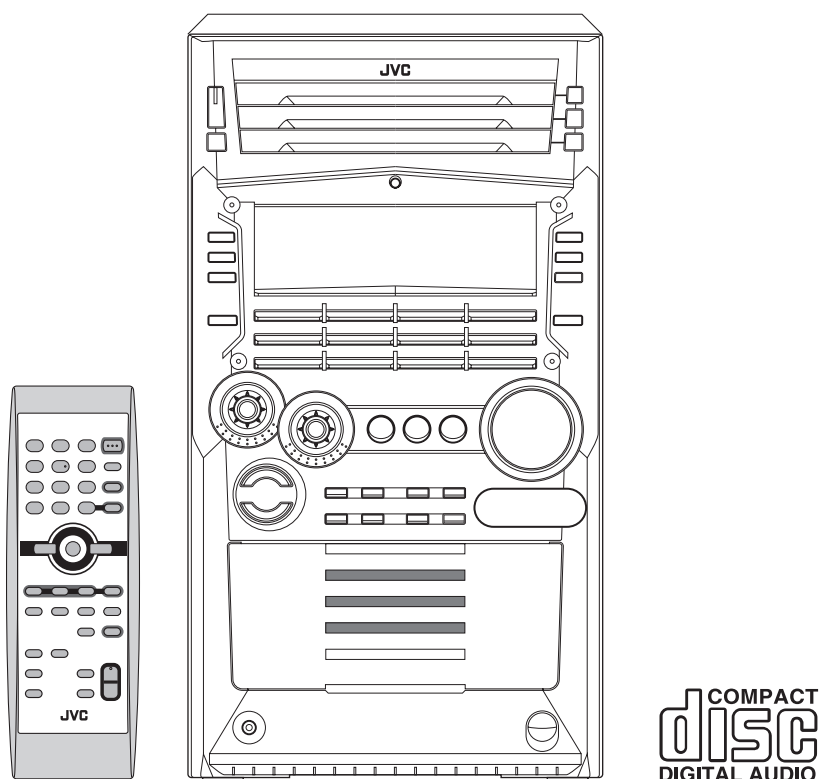


JVC

SERVICE MANUAL

COMPACT COMPONENT SYSTEM

HX-Z9



COMPACT
disc
DIGITAL AUDIO

Area Suffix

UW ----- Brazil, Mexico, Peru

TABLE OF CONTENTS

1	PRECAUTION.....	1-3
2	SPECIFIC SERVICE INSTRUCTIONS.....	1-5
3	DISASSEMBLY.....	1-6
4	ADJUSTMENT.....	1-33
5	TROUBLE SHOOTING.....	1-39

SPECIFICATION

Amplifier section	Output Power (IEC 268-3)	SUBWOOFERS		75 W per channel, min. RMS, both channels driven into 6 Ω at 63 Hz with no more than 0.9% total harmonic distortion.
		MAIN SPEAKERS		30 W per channel, min. RMS, both channels driven into 6 Ω at 1 kHz with no more than 0.9% total harmonic distortion.
	Audio input sensitivity/Impedance(Measured at 1 kHz, with tape recording signal 300 mV)			
	AUX		390 mV/50 k Ω	
	Speakers/ Impedance	SUBWOOFERS		6 Ω - 16 Ω
MAIN SPEAKERS		6 Ω - 16 Ω		
SURROUND SPEAKERS		16 Ω - 32 Ω		
Tuner	FM tuning range		87.50 MHz - 108.00 MHz	
	AM tuning range	At 9 kHz intervals	531 kHz - 1 710 kHz	
		At 10 kHz intervals	530 kHz - 1 710 kHz	
CD player	CD capacity		3 CDs	
	Dynamic range		85 dB	
	Signal-to-noise ratio		90 dB	
	Wow and flutter		Immeasurable	
Cassette deck	Frequency response Normal (type I)		50 Hz - 14 000 Hz	
	Wow and flutter		0.15% (WRMS)	
General	Power requirement		AC 110 V / AC 127 V / AC 220 V / AC 230 V - AC 240 V ~ (adjustable with the voltage selector), 50 Hz / 60 Hz	
	Power consumption		205 W (in operation) 23 W (on standby with Ecology Mode off) Less than 3.5 W (on standby with Ecology Mode on)	
	Dimensions (approx.)		205 mm \times 370 mm \times 370 mm (W/H/D)	
	Mass (approx.)		10.0 kg	
Supplied accessories			See page 6.	

Design and specifications are subject to change without notice.

SECTION 1 PRECAUTION

1.1 Safety Precautions

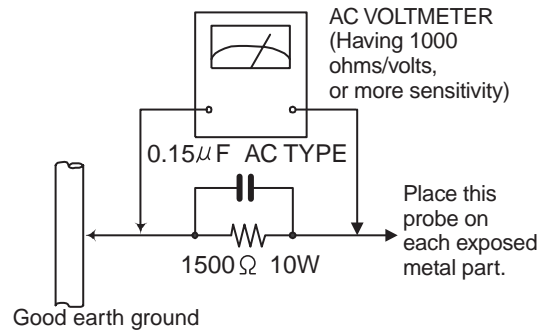
- (1) This design of this product contains special hardware and many circuits and components specially for safety purposes. For continued protection, no changes should be made to the original design unless authorized in writing by the manufacturer. Replacement parts must be identical to those used in the original circuits. Services should be performed by qualified personnel only.
- (2) Alterations of the design or circuitry of the product should not be made. Any design alterations of the product should not be made. Any design alterations or additions will void the manufacturer's warranty and will further relieve the manufacturer of responsibility for personal injury or property damage resulting therefrom.
- (3) Many electrical and mechanical parts in the products have special safety-related characteristics. These characteristics are often not evident from visual inspection nor can the protection afforded by them necessarily be obtained by using replacement components rated for higher voltage, wattage, etc. Replacement parts which have these special safety characteristics are identified in the Parts List of Service Manual. Electrical components having such features are identified by shading on the schematics and by (Δ) on the Parts List in the Service Manual. The use of a substitute replacement which does not have the same safety characteristics as the recommended replacement parts shown in the Parts List of Service Manual may create shock, fire, or other hazards.
- (4) The leads in the products are routed and dressed with ties, clamps, tubings, barriers and the like to be separated from live parts, high temperature parts, moving parts and/or sharp edges for the prevention of electric shock and fire hazard. When service is required, the original lead routing and dress should be observed, and it should be confirmed that they have been returned to normal, after reassembling.
- (5) Leakage shock hazard testing

After reassembling the product, always perform an isolation check on the exposed metal parts of the product (antenna terminals, knobs, metal cabinet, screw heads, headphone jack, control shafts, etc.) to be sure the product is safe to operate without danger of electrical shock. Do not use a line isolation transformer during this check.

- Plug the AC line cord directly into the AC outlet. Using a "Leakage Current Tester", measure the leakage current from each exposed metal part of the cabinet, particularly any exposed metal part having a return path to the chassis, to a known good earth ground. Any leakage current must not exceed 0.5mA AC (r.m.s.).
- Alternate check method
Plug the AC line cord directly into the AC outlet. Use an AC voltmeter having, 1,000 Ω per volt or more sensitivity in the following manner. Connect a 1,500 Ω 10W resistor paralleled by a 0.15 μ F AC-type capacitor between an exposed metal part and a known good earth ground. Measure the AC voltage across the resistor with the AC

voltmeter.

Move the resistor connection to each exposed metal part, particularly any exposed metal part having a return path to the chassis, and measure the AC voltage across the resistor. Now, reverse the plug in the AC outlet and repeat each measurement. Voltage measured any must not exceed 0.75 V AC (r.m.s.). This corresponds to 0.5 μ mA AC (r.m.s.).



1.2 Warning

- (1) This equipment has been designed and manufactured to meet international safety standards.
- (2) It is the legal responsibility of the repairer to ensure that these safety standards are maintained.
- (3) Repairs must be made in accordance with the relevant safety standards.
- (4) It is essential that safety critical components are replaced by approved parts.
- (5) If mains voltage selector is provided, check setting for local voltage.

1.3 Caution

Burrs formed during molding may be left over on some parts of the chassis.

Therefore, pay attention to such burrs in the case of pre-forming repair of this system.

1.4 Critical parts for safety

In regard with component parts appearing on the silk-screen printed side (parts side) of the PWB diagrams, the parts that are printed over with black such as the resistor (\blacksquare), diode (\blacksquare) and ICP (\bullet) or identified by the " Δ " mark nearby are critical for safety. When replacing them, be sure to use the parts of the same type and rating as specified by the manufacturer. (This regulation does not Except the J and C version)

1.5 Preventing static electricity

Electrostatic discharge (ESD), which occurs when static electricity stored in the body, fabric, etc. is discharged, can destroy the laser diode in the traverse unit (optical pickup). Take care to prevent this when performing repairs.

1.5.1 Grounding to prevent damage by static electricity

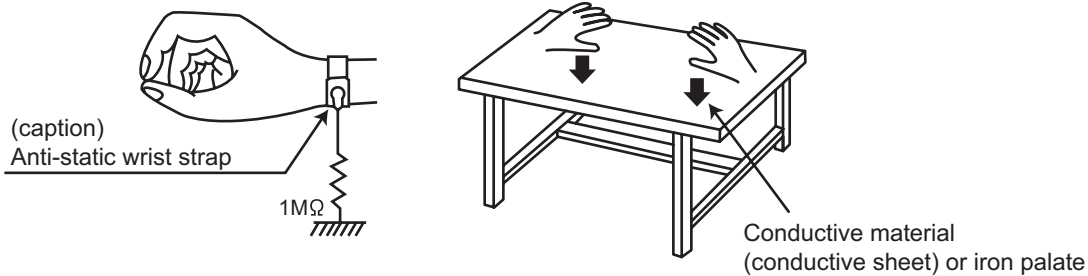
Static electricity in the work area can destroy the optical pickup (laser diode) in devices such as CD players. Be careful to use proper grounding in the area where repairs are being performed.

(1) Ground the workbench

Ground the workbench by laying conductive material (such as a conductive sheet) or an iron plate over it before placing the traverse unit (optical pickup) on it.

(2) Ground yourself

Use an anti-static wrist strap to release any static electricity built up in your body.



(3) Handling the optical pickup

- In order to maintain quality during transport and before installation, both sides of the laser diode on the replacement optical pickup are shorted. After replacement, return the shorted parts to their original condition. (Refer to the text.)
- Do not use a tester to check the condition of the laser diode in the optical pickup. The tester's internal power source can easily destroy the laser diode.

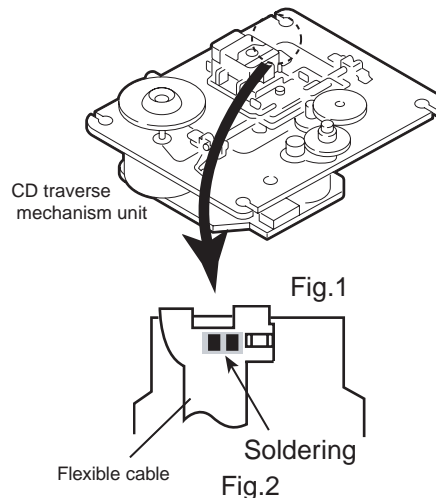
1.6 Handling the traverse unit (optical pickup)

- (1) Do not subject the traverse unit (optical pickup) to strong shocks, as it is a sensitive, complex unit.
- (2) Cut off the shorted part of the flexible cable using nippers, etc. after replacing the optical pickup. For specific details, refer to the replacement procedure in the text. Remove the anti-static pin when replacing the traverse unit. Be careful not to take too long a time when attaching it to the connector.
- (3) Handle the flexible cable carefully as it may break when subjected to strong force.
- (4) It is not possible to adjust the semi-fixed resistor that adjusts the laser power. Do not turn it.

1.7 Attention when traverse unit is decomposed

***Please refer to "Disassembly method" in the text for the CD pickup unit.**

- Apply solder to the short land sections before the flexible wire is disconnected from the connector CN101 on the CD servo board. (If the flexible wire is disconnected without applying solder, the CD pickup may be destroyed by static electricity.)
- In the assembly, be sure to remove solder from the short land sections after connecting the flexible wire.



SECTION 2
SPECIFIC SERVICE INSTRUCTIONS

This service manual does not describe SPECIFIC SERVICE INSTRUCTIONS.

SECTION 3 DISASSEMBLY

3.1 Main body

3.1.1 Removing the metal cover (See Fig.1-3)

- (1) Remove the six screws **A** on the back of the body.
- (2) Remove the screw **B** on each side of the body.
- (3) Remove the metal cover from the body by lifting the rear part of the cover.

CAUTION:

Do not break the front panel tab fitted to the metal cover.

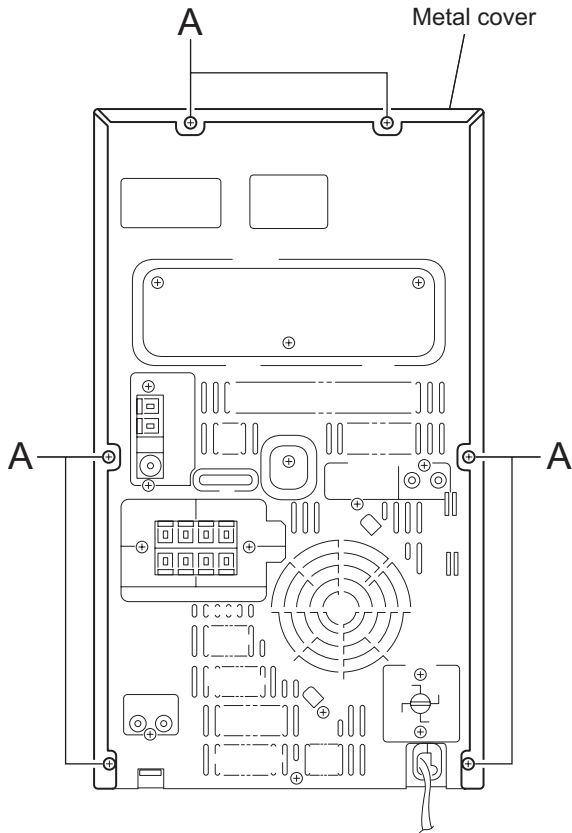


Fig.1

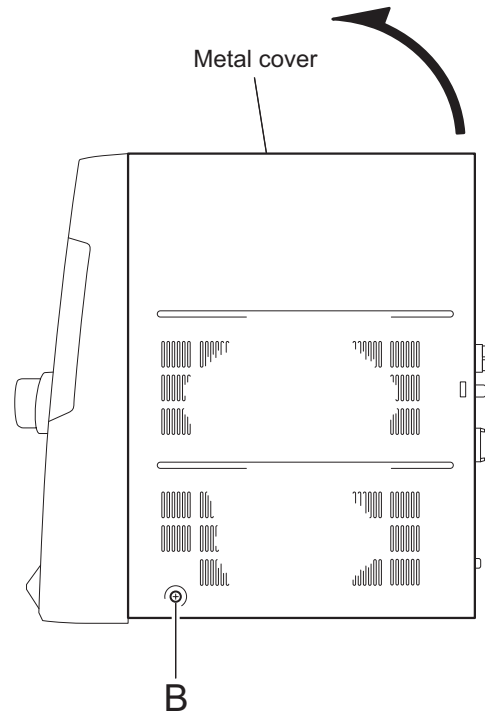


Fig.2

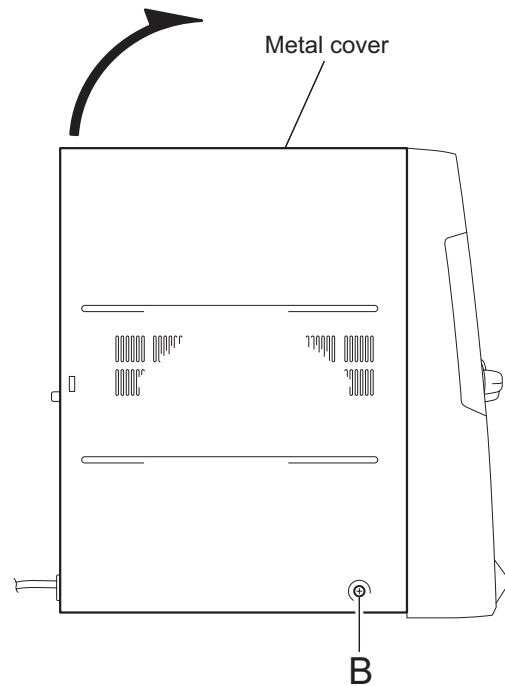


Fig.3

3.1.2 Removing the CD changer mechanism assembly (See Fig.4, 5)

- Prior to performing the following procedure, remove the metal cover.
 - (1) Disconnect the card wire from connector CN651 on the CD servo control board on the right bottom of the CD changer mechanism assembly.
 - (2) Remove the four screws **C** attaching the CD changer mechanism assembly on top of the body.
 - (3) Remove the CD changer mechanism assembly while lifting the rear part.

CAUTION:

Do not damage the CD fitting when removing the CD changer mechanism assembly.

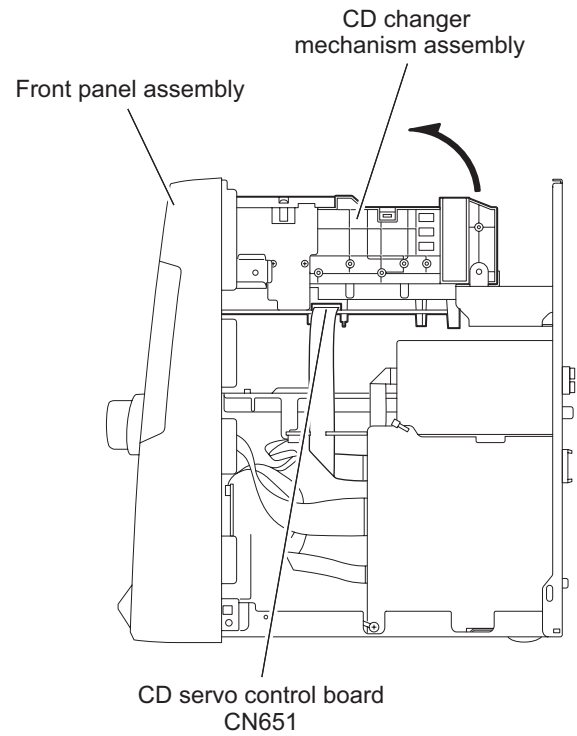


Fig.4

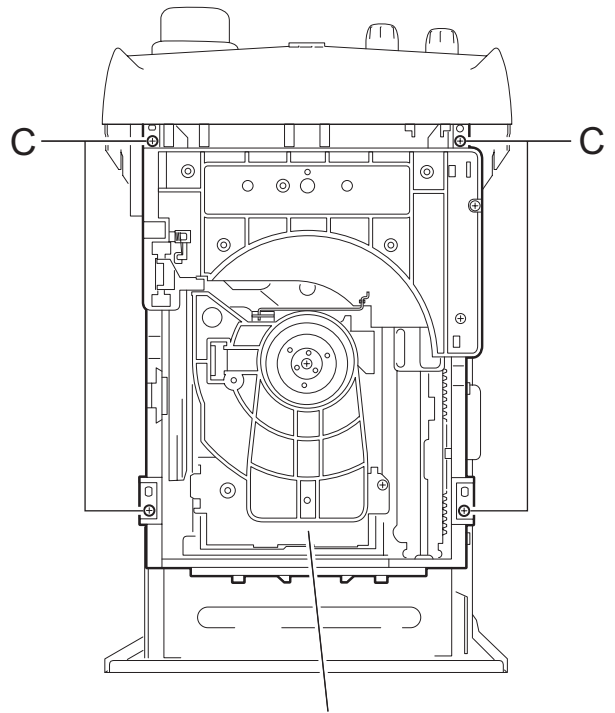


Fig.5

3.1.3 Removing the front panel assembly (See Fig.6-9)

- Prior to performing the following procedure, remove the metal cover and the CD changer mechanism assembly.
 - (1) Disconnect the card wires from connector CN44 and CN870 on the main board on the right side of the body. Remove the screw **D** attaching the wire from extending from the underside of the front panel assembly.
 - (2) Disconnect the wire from connector CN701 on the bridge board.
 - (3) Cut the band.
 - (4) Disconnect the wires from connector CN231 and CN232 on the primary board on the left side of the body.
 - (5) Remove the plastic rivet attaching the inner bar in the center of the front panel assembly.

REFERENCE:

Keep the plastic rivet for reuse.

- (6) Remove the three screws **E** attaching the front panel assembly at the bottom of the body.
- (7) Disconnect the ground wire extending from the phone board from bottom chassis.
- (8) Release the two joints **a** on the lower left and right sides of the front panel assembly using a screwdriver, and remove the front panel assembly toward the front.

REFERENCE:

Front panel need to be tilt little bit as release from bottom chassis.

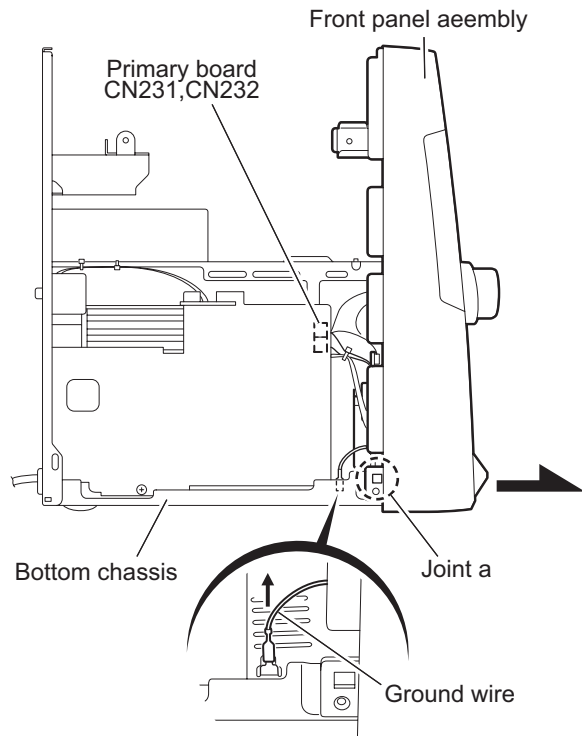


Fig.7

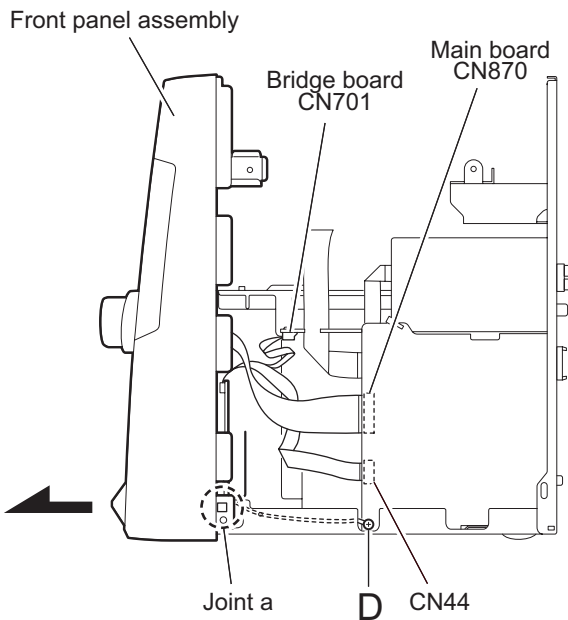


Fig.6

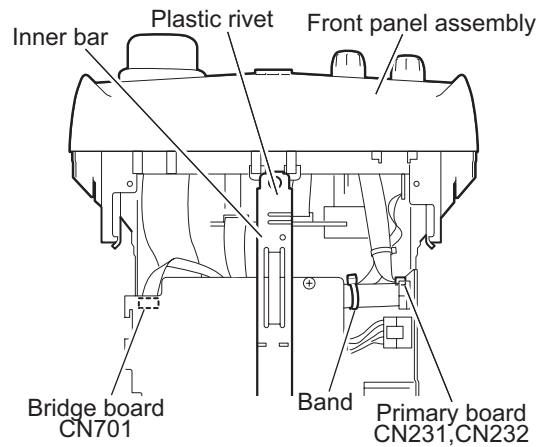


Fig.8

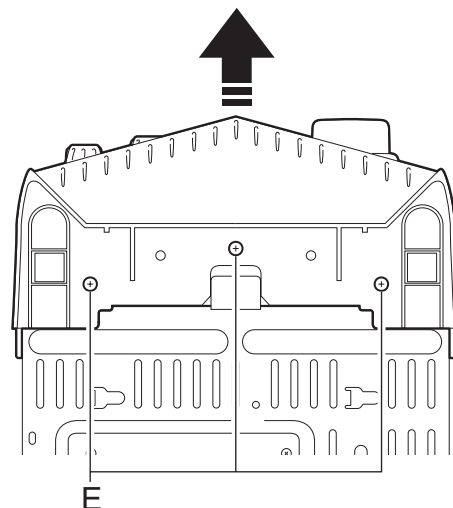


Fig.9

3.1.4 Removing the antenna board (See Fig.10, 11)

- Prior to performing the following procedure, remove the metal cover.
 - (1) Disconnect the card wire from connector CN1 on the antenna board on the right side of the body.
 - (2) Remove the band attaching the antenna board.
 - (3) Remove the two screws **F** on the rear panel on the back of the body.

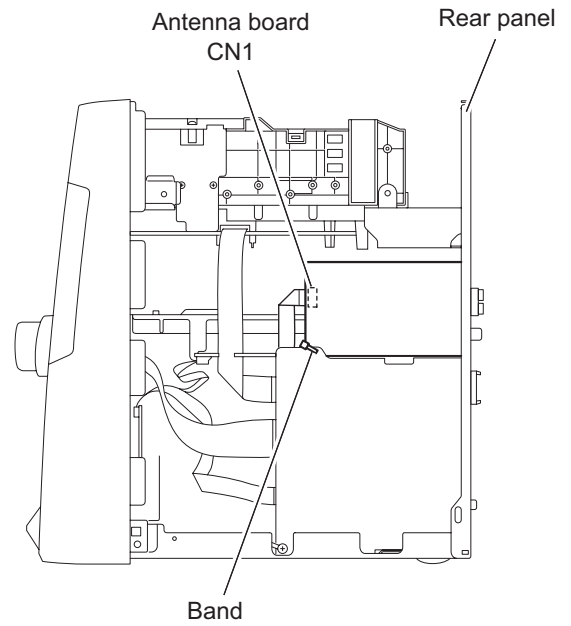


Fig.10

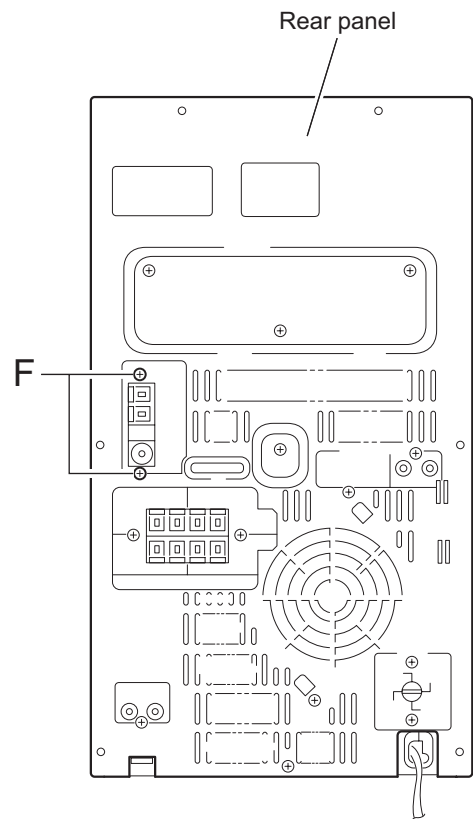


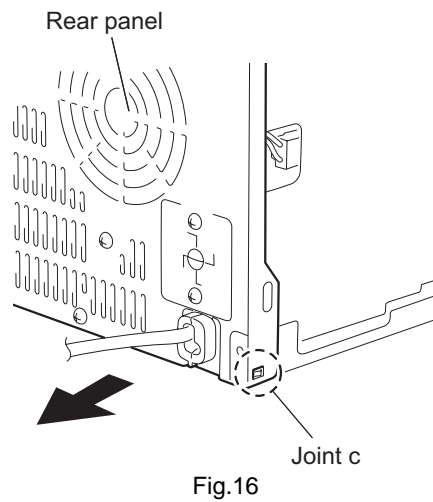
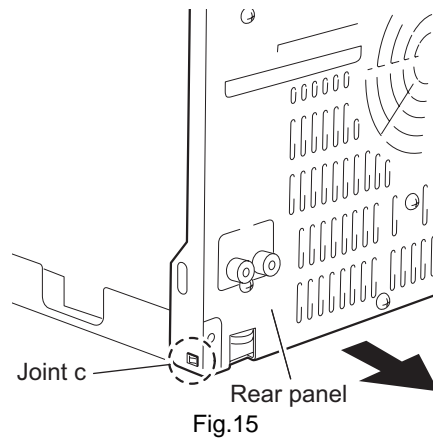
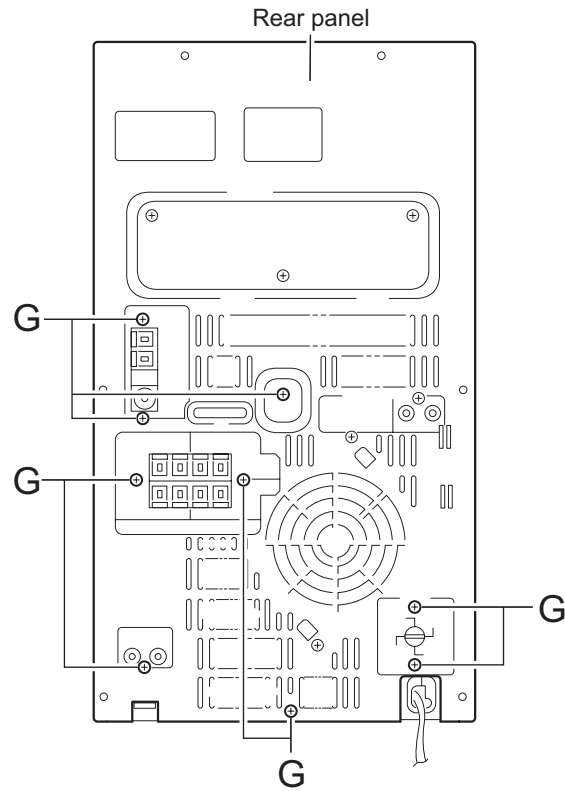
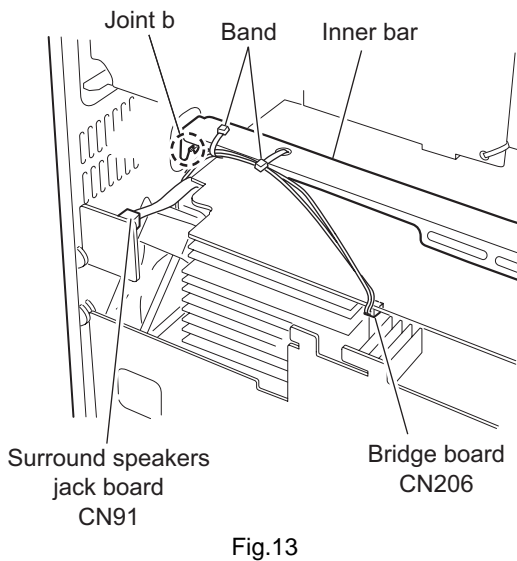
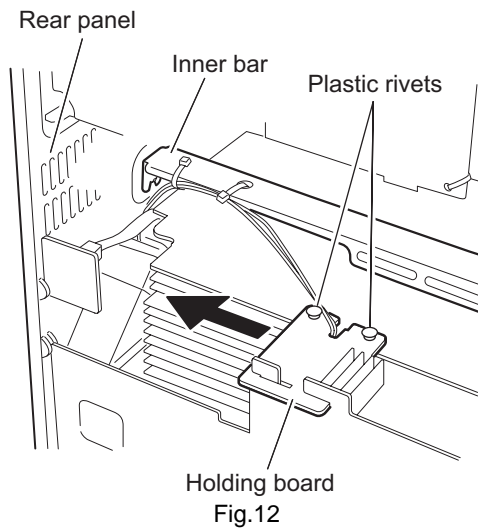
Fig.11

3.1.5 Removing the rear panel (See Fig.12~16)

- (1) Remove holding board by remove two plastic rivets and then slide out the holding board as shown in fig.12.
- (2) Disconnect fan wire from connector CN206 on the bridge board.
- (3) Disconnect the flat wire from connector CN91 on the surround speakers jack board.
- (4) Cut off the band that fixing fan wire on inner bar.
- (5) Remove nine screws **G** from rear panel.
- (6) Detach joint **b** to release rear panel from inner bar.
- (7) Release joints **c** which on right bottom and left bottom of rear panel. The joint can be release by pull outward the side of rear panel.

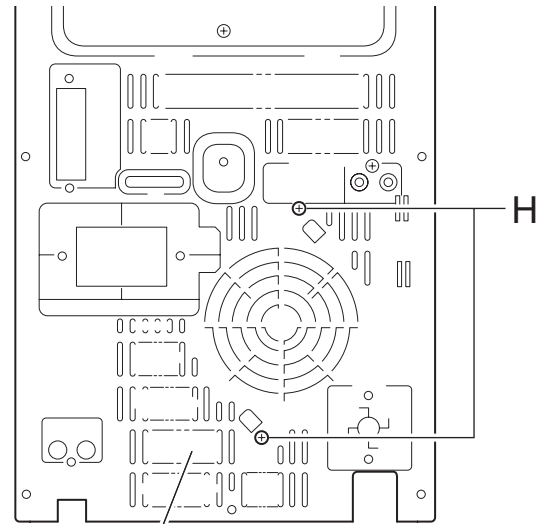
REFERENCE:

Fan assembly and surround speaker jack board will come off with rear panel.



3.1.6 Removing the fan assembly (See Fig.17, 18)

- Prior to performing the following procedure, remove the metal cover, the CD changer mechanism assembly and the rear panel.
 - (1) Remove two screws **H** on the rear panel.
 - (2) Rotate fan assembly in clockwise direction to release fan assembly from rear panel (joints **e**).



Rear panel

Fig.17

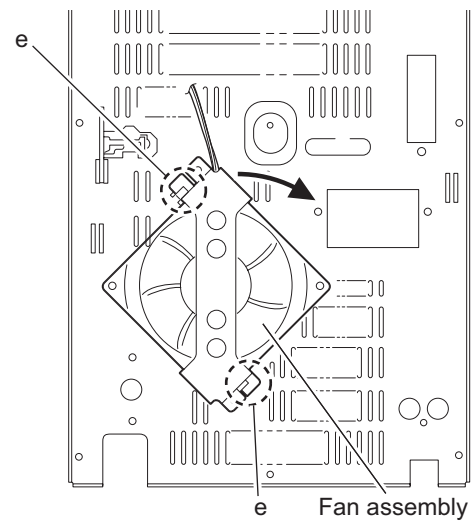


Fig.18

3.1.7 Removing the main board (See Fig.19)

- Prior to performing the following procedure, remove the metal cover, the CD changer mechanism assembly, the antenna board and the rear panel.
 - (1) Disconnect the card wires from connector CN44 and CN870 on the main board.
 - (2) Remove the screw **D** attaching the main board.
 - (3) Disconnect connector CN217 and CN311 on the main board outward and release from the base chassis (joint **f**) upward.

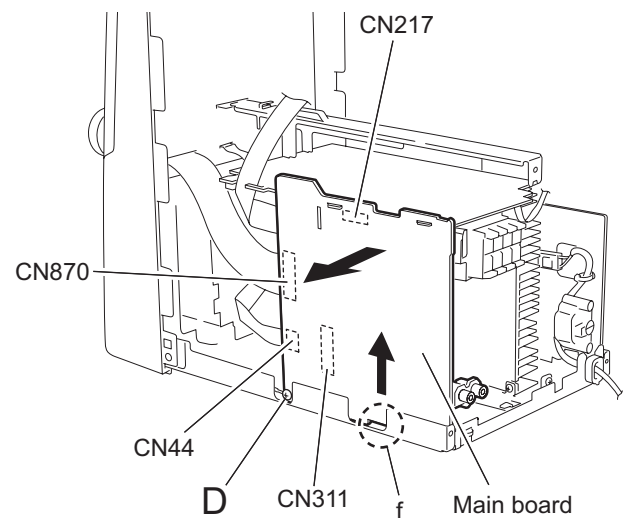


Fig.19

3.1.8 Removing the bridge board / regulator board / heat sink

(See Fig.20-25)

- Prior to performing the following procedure, remove the metal cover, the CD changer mechanism assembly, the rear panel, the antenna board and main board.
- (1) Remove the plastic rivet attaching the stay inner bar and remove the screw **I** on the bridge board.
- (2) Move the inner bar forward and upward to release from the front section (joint **g**) and from the bridge board (two joints **h**) respectively.
- (3) Disconnect the wires from connector CN212, CN213 and CN214 on the primary board respectively and remove the band fixing the wires.
- (4) Disconnect the wire from connector CN701 on the bridge board.
- (5) Remove the two screws **J** attaching the heat sink bracket and move the heat sink in the direction of the arrow to release from the base chassis. The bridge board and the regulator board come off with the heat sink.
- (6) Remove the two screws **K** attaching the heat sink bracket.
- (7) Remove the two screws **L**, detach bridge board from regulator board by disconnect connector CN205.
- (8) Remove the two screws **M** and a screw **N** to detach regulator board from heat sink.

CAUTION:

As assembly back the regulator board and bridge board to heat sink.

Regulator board must be assembling to heat sink first and screws **M** and **N** must be screwed before bridge board attach to regulator board.

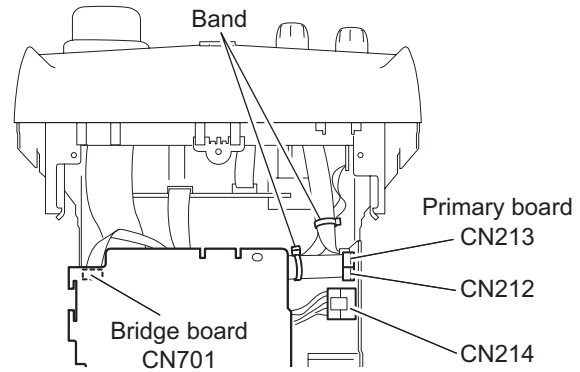


Fig.22

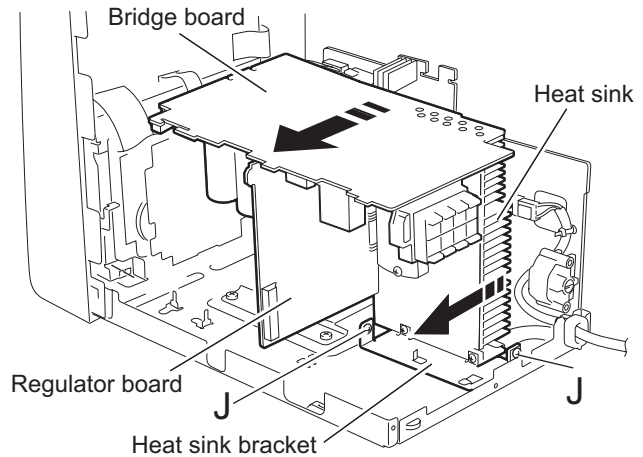


Fig.23

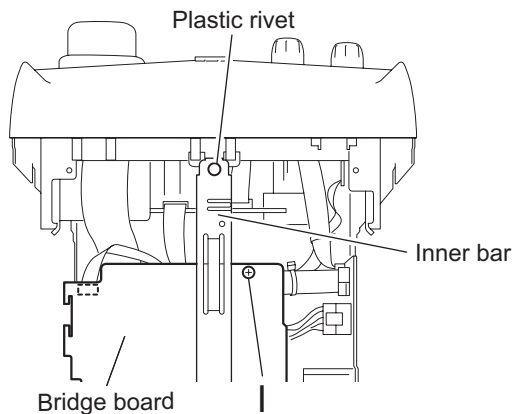


Fig.20

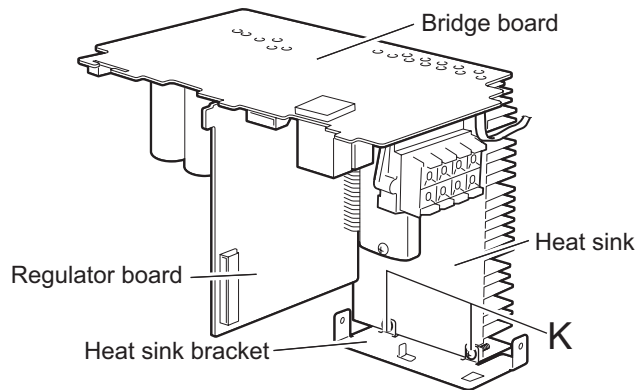


Fig.24

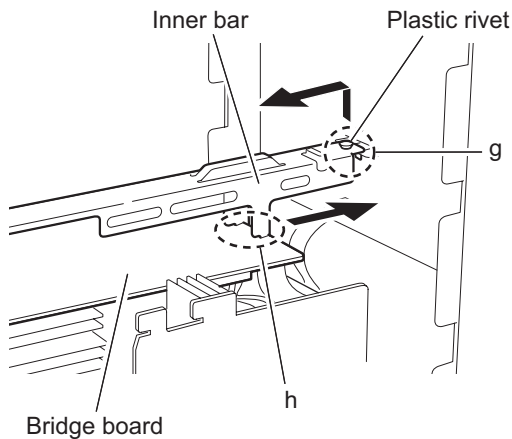


Fig.21

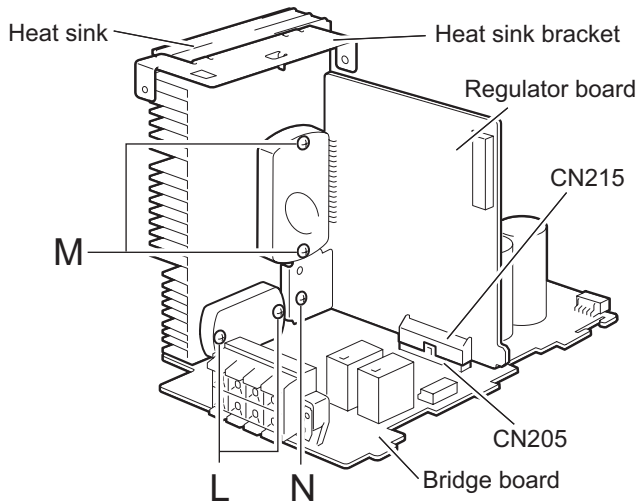


Fig.25

3.1.9 Removing the power transformer assembly (See Fig.26, 27)

- Prior to performing the following procedure, remove the metal cover, the CD changer mechanism assembly, the rear panel, the main board and the bridge board / regulator board.
 - (1) Remove the screw **O** attaching the primary board.
 - (2) Disconnect the wire from connector CN231 and CN232 on the primary board.
 - (3) Remove the four screws **P** attaching the power transformer assembly.
 - (4) Detach the cord stopper from the base chassis upward.

REFERENCE:

When disconnecting the power cord from connector CN250 on the primary board, remove the fixing band.

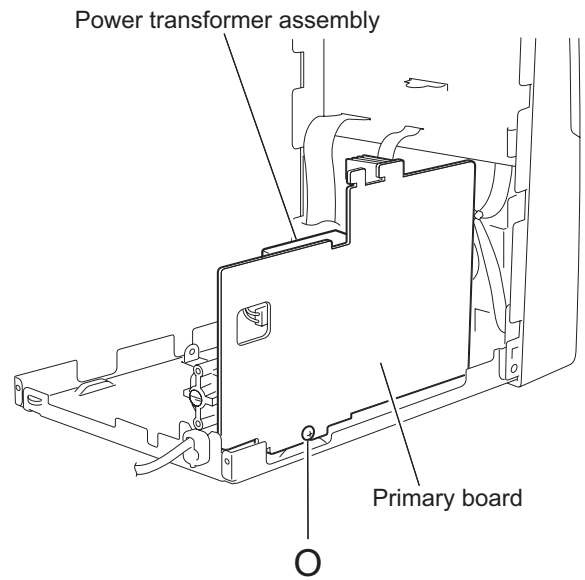


Fig.26

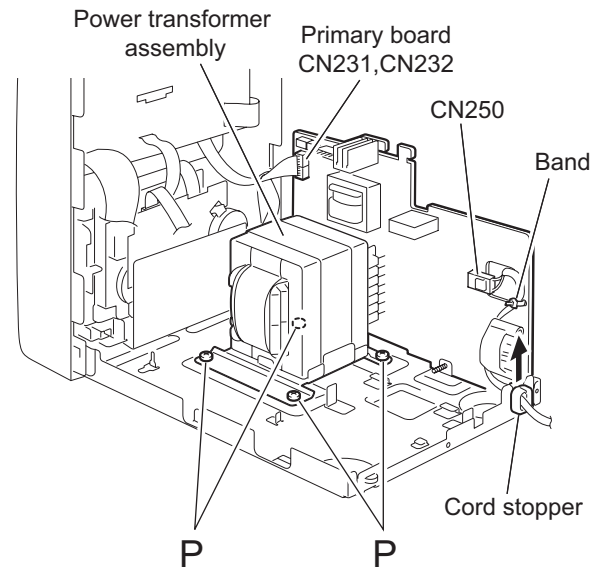


Fig.27

3.2 Front panel assembly

- Prior to performing the following procedure, remove the metal cover, the CD changer mechanism assembly and front panel assembly.

3.2.1 Removing the cassette mechanism assembly (See Fig.28)

- (1) Disconnect the card wire from connector CN33 on the head amplifier & mechanism control board.
- (2) Remove the two screws **Q**, and the two screws **R** attaching the cassette mechanism assembly.

3.2.2 Removing the headphone board (See Fig.28)

- (1) Remove the screw **S** and pull out the headphone board backward.
- (2) Cut off the band.

3.2.3 Removing the display system control board (See Fig.29, 30)

- (1) Remove the four screws **T** attaching the stay bracket (1).
- (2) Disconnect the card wires from connector CN43 and CN880 on the display system control board.
- (3) Remove the ten screws **U** attaching the display system control board.

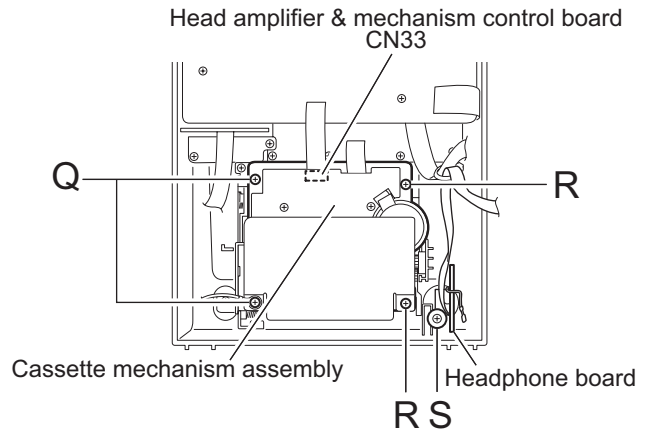


Fig.28

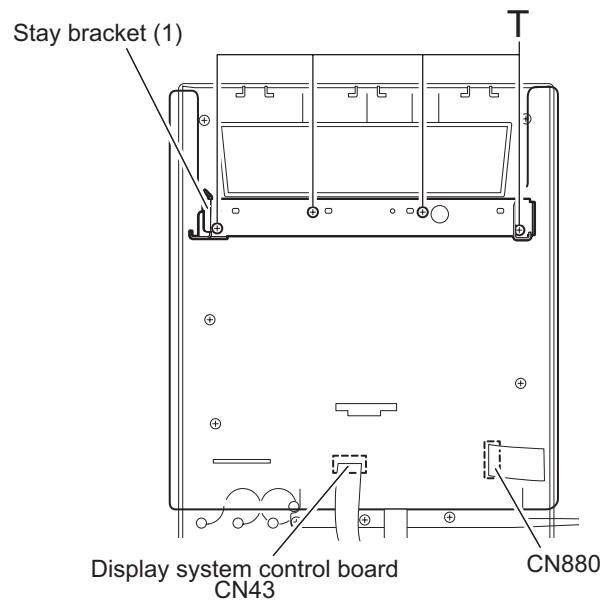


Fig.29

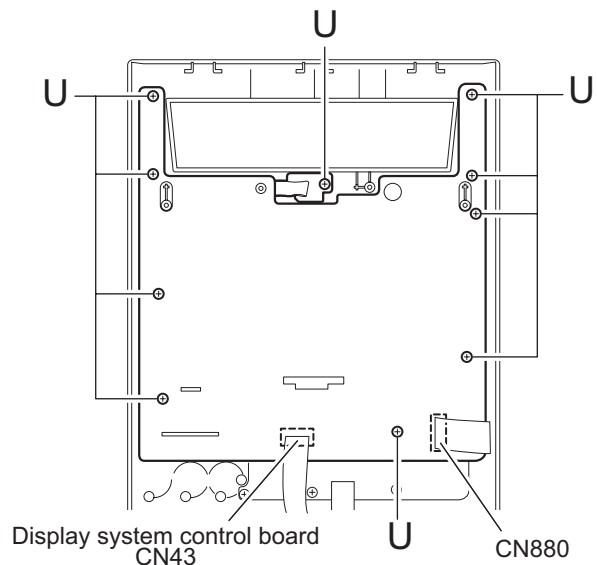
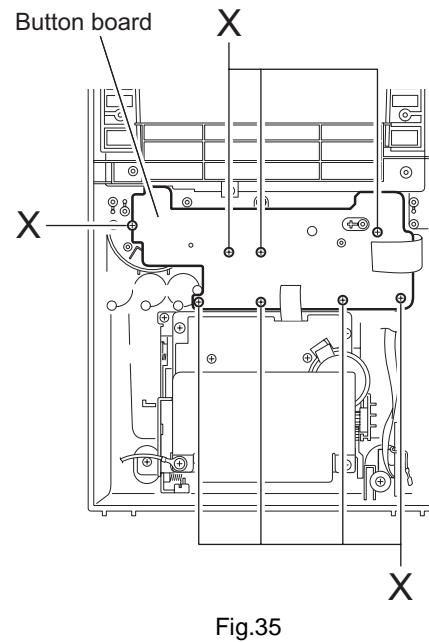
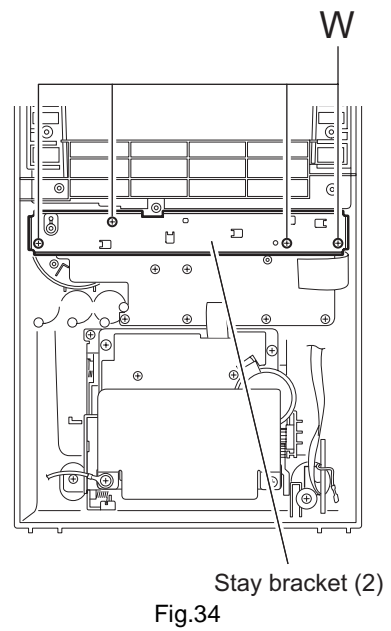
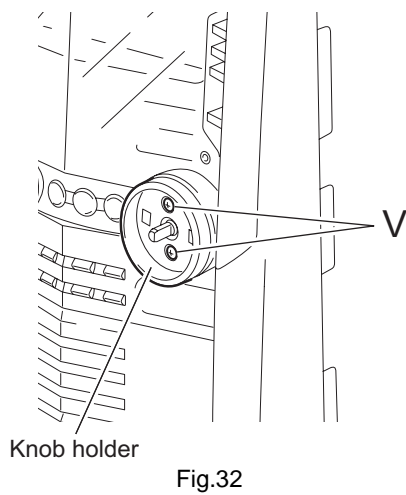
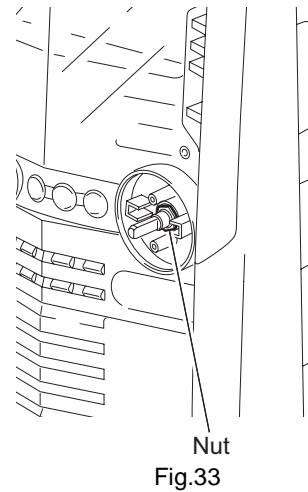
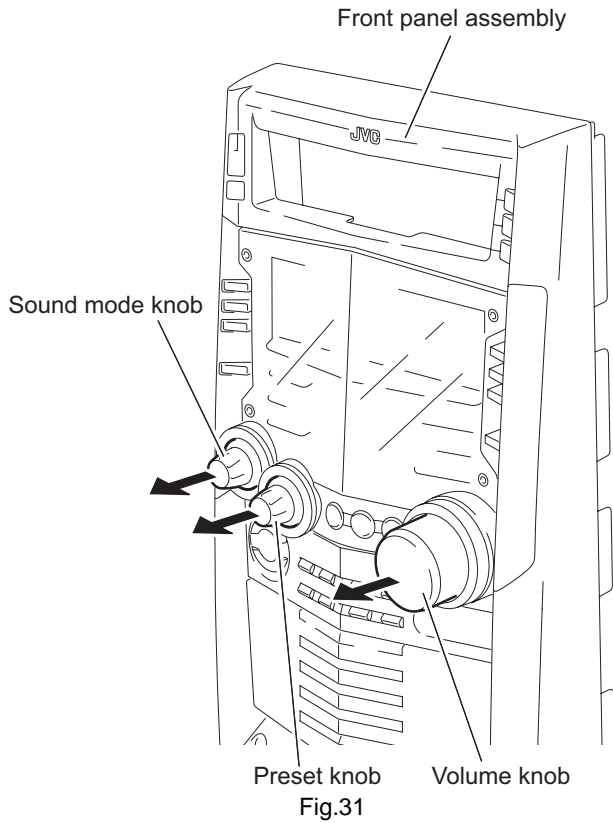


Fig.30

3.2.4 Removing the button board (See Fig.31~35)

- Prior to performing the following procedure, remove the display system control board.
 - (1) Pull out preset knob, sound mode knob on the front panel toward the front.
 - (2) Pull out the volume knob and remove the two screws **V** attaching the knob holder. Remove the nut from the front panel.
 - (3) Remove the four screws **W** attaching the stay bracket (2).
 - (4) Remove the eight screws **X** attaching the button board.



3.3 CD Changer Mechanism

- Remove the CD changer mechanism assembly.

3.3.1 Removing the CD Servo control board (See Fig.1)

- (1) From bottom side the CD changer mechanism assembly, remove the four screws **A** retaining the CD servo control board.
- (2) Absorb the four soldered positions **a** of the right and left motors with a soldering absorber.
- (3) Pull out the earth wire on the CD changer mechanism assembly.
- (4) Disconnect the connector CN854 on the CD servo control board.
- (5) Disconnect the card wire CN601 and the connector CN801 on the CD servo control board.

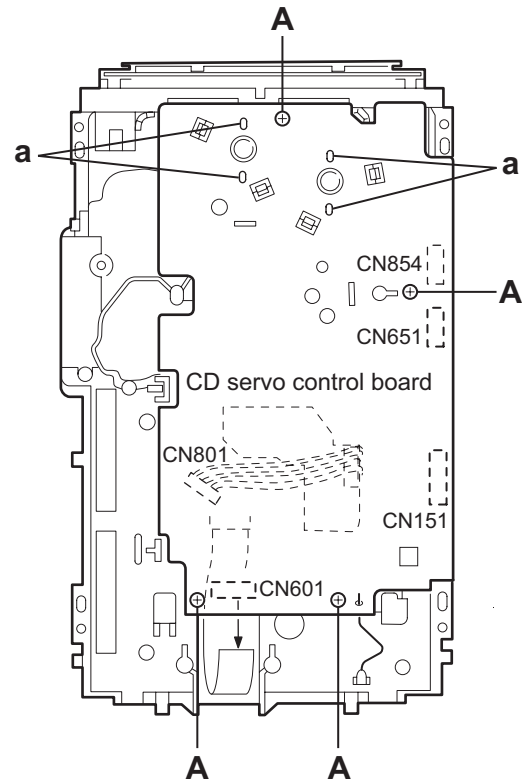


Fig.1

3.3.2 Removing the CD tray assembly (See Fig.2~9)

- (1) Remove the CD servo control board.
- (2) Remove the screw **B** retaining the lod stopper.
- (3) From the T.bracket section **b** and clamper base section **c**, remove both of the edges fixing the rod.
- (4) Remove the three screws **C** retaining the T.bracket.
- (5) Remove the screw **D** retaining the clamper assembly.
- (6) From the left side face of the chassis assembly, remove the one screw **E** retaining both of the return spring and lock lever.
- (7) By removing the pawl at the section **d** fixing the return spring, dismount the return spring.
- (8) Remove the three lock levers.
- (9) Check whether the lifter unit stopper has been caught into the hole at the section **e** of CD tray assembly as shown in Fig.5.
- (10) Make sure that the driver unit elevator is positioned as shown in Fig.6 from to the second or fifth hole on the left side face of the CD changer mechanism assembly.

CAUTION:

In case the driver unit elevator is not at above position, set the elevator to the position as shown in Fig.7 by manually turning the pulley gear as shown in Fig.8.

- (11) Manually turn the motor pulley in the clockwise direction until the lifter unit stopper is lowered from the section **e** of CD tray assembly.
- (12) Pull out all of the three stages of CD tray assembly in the arrow direction **f** until these stages stop.
- (13) At the position where the CD tray assembly has stopped, pull out the CD tray assembly while pressing the two pawls **g** and **g'** on the back side of CD tray assembly. In this case, it is easy to pull out the assembly when it is pulled out first from the stage CD tray assembly.

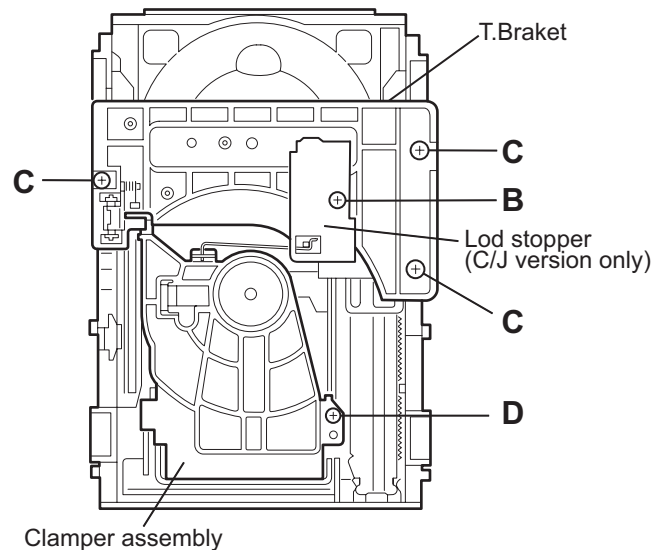
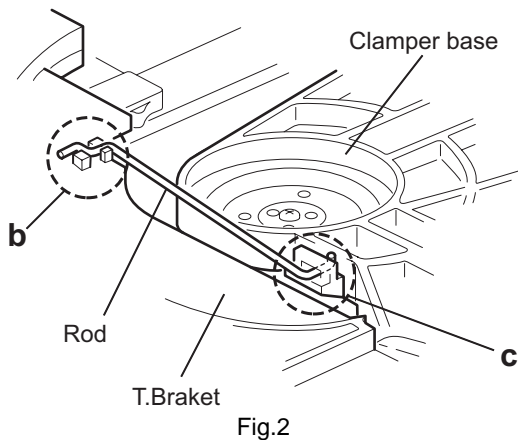


Fig.3

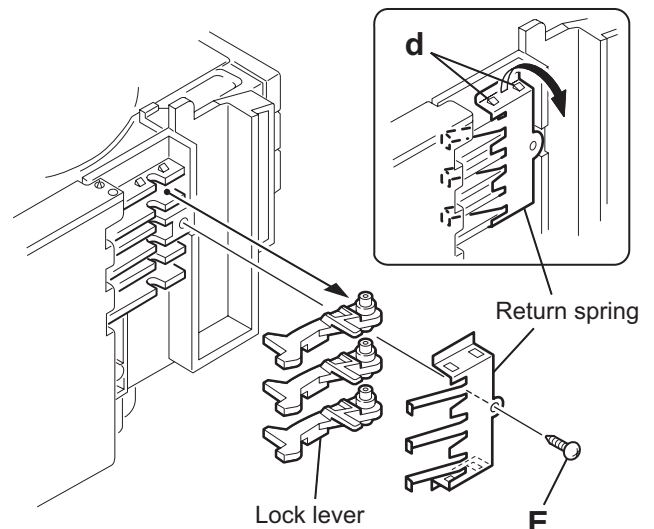


Fig.4

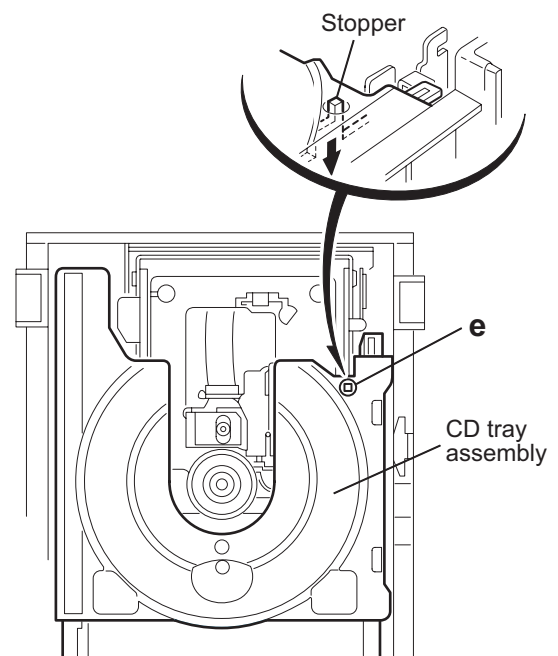
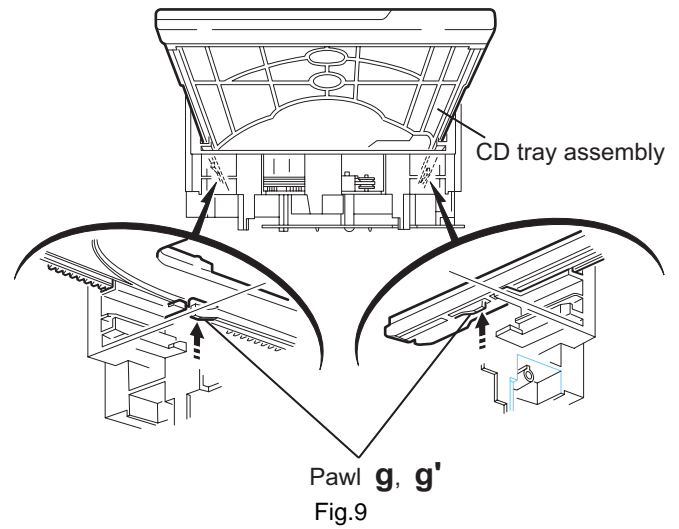
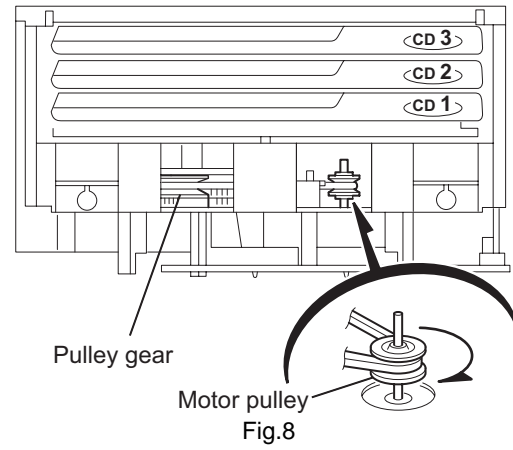
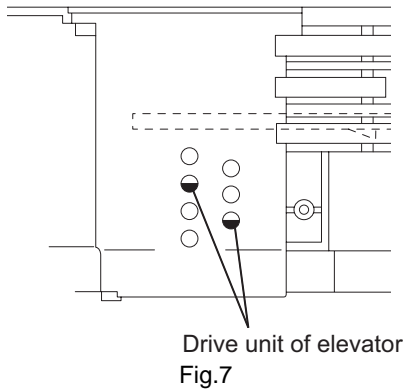
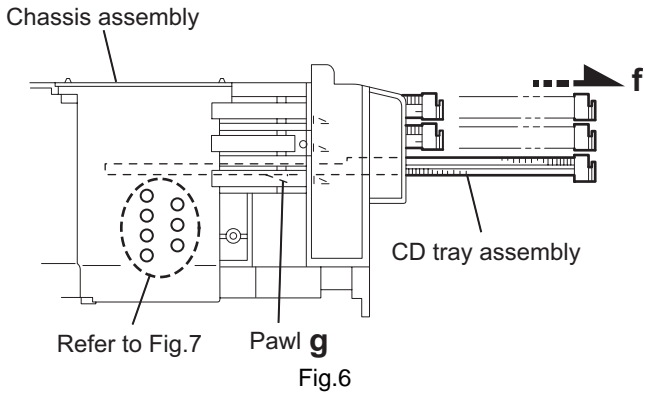
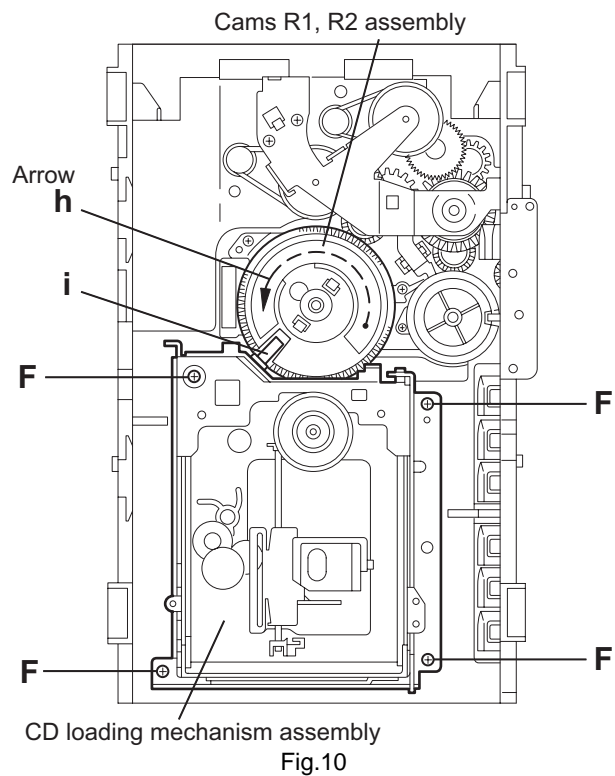


Fig.5



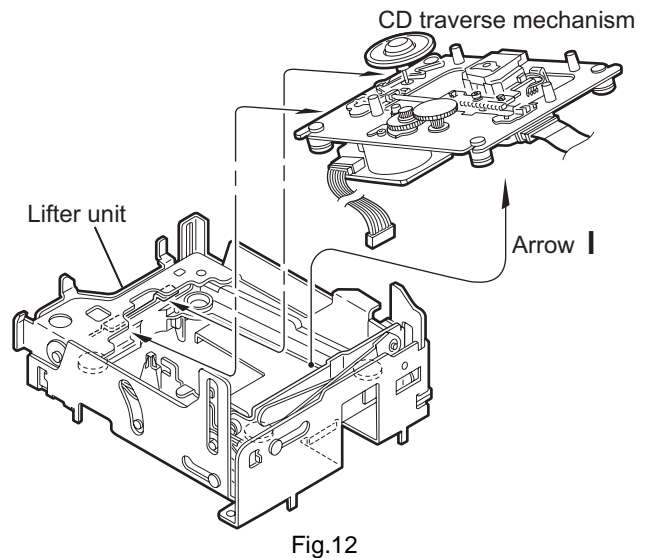
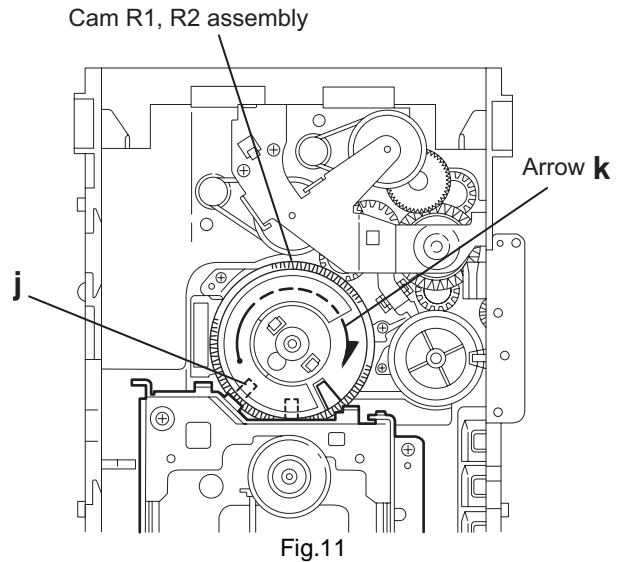
3.3.3 Removing the CD loading mechanism assembly (See Fig.10)

- (1) While turning the cams R1 and R2 assembly in the arrow direction **h**, align the shaft **i** of the CD loading mechanism assembly to the position shown in Fig.10.
- (2) Remove the four screws **F** retaining the CD loading mechanism assembly.



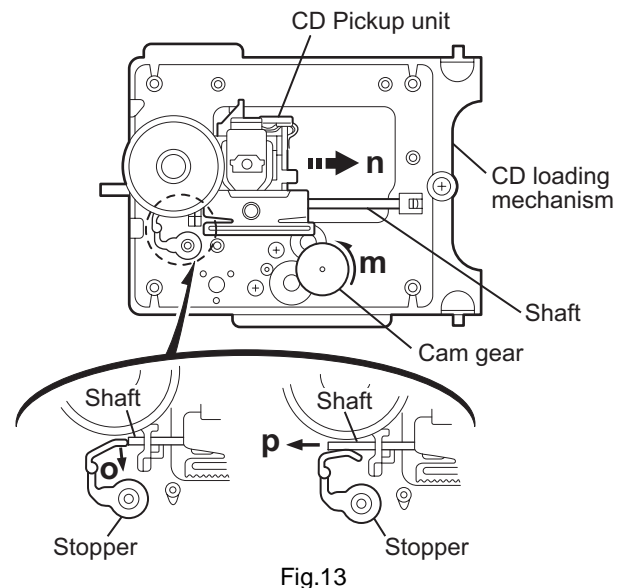
3.3.4 Removing the CD traverse mechanism (See Fig.11 and 12)

- (1) For dismantling only the CD traverse mechanism without removing the CD loading mechanism assembly, align the shaft **j** of the CD loading mechanism assembly to the position shown Fig.11 while turning the cam R1 and R2 assembly in the arrow direction **k**.
- (2) By raising the CD loading mechanism assembly in the arrow direction **l**, remove the assembly from the lifter unit.



3.3.5 Removing the CD pickup unit (See Fig.13)

- (1) Move the cam gear in the arrow direction **m**. Then, the CD pickup unit will be moved in the arrow direction **n**.
- (2) According to the above step, shift the CD pickup unit to the center position.
- (3) While pressing the stopper retaining the shaft in the arrow direction **o**, pull out the shaft in the arrow direction **p**.
- (4) After dismantling the shaft from the CD pickup unit, remove the CD pickup unit.



3.3.6 Removing the tray select switch board (See Fig.14)

- (1) Remove the two screws **G** retaining the tray select switch board.
- (2) Disconnect the tray select switch board from connector CN854 on the CD servo control board.

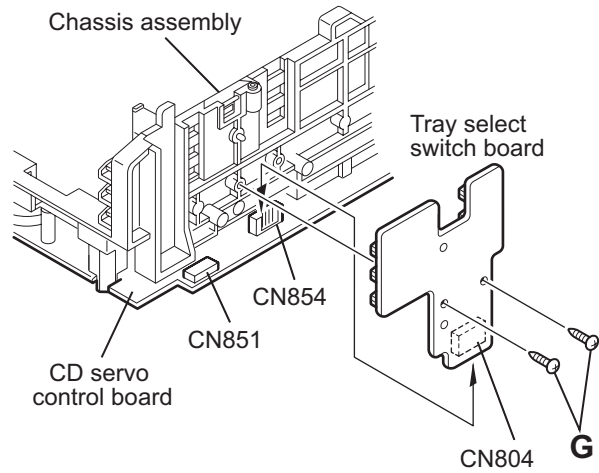


Fig.14

3.3.7 Removing the cam unit (See Fig.15 ~17)

- Remove the CD loading mechanism assembly.
 - (1) While turning the cam gear **q**, align the Paul **r** position of the drive unit to the notch position on the cam gear **q**.
 - (2) Pull out the drive unit and cylinder gear.
 - (3) While turning the cam gear **q**, align the Paul **s** position of the select lever to the notch position on the cam gear **q**.
 - (4) Remove the four screws **H** retaining the cam unit (cam gear **q** and cams R1/R2 assembly).

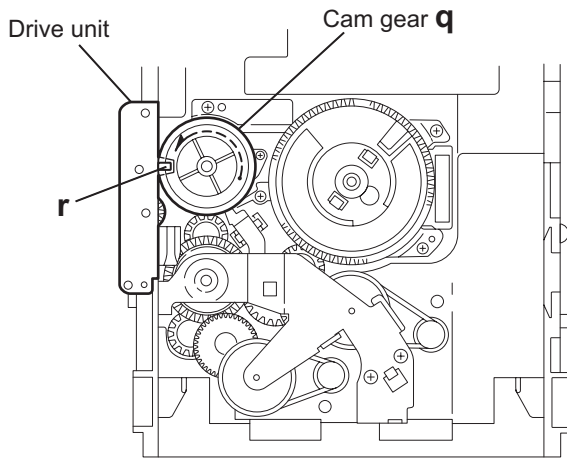


Fig.15

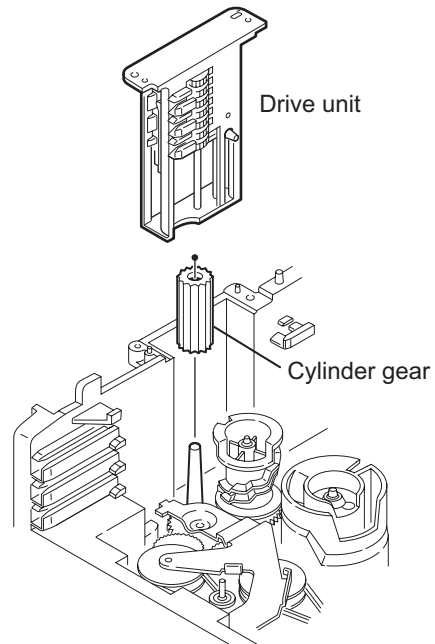
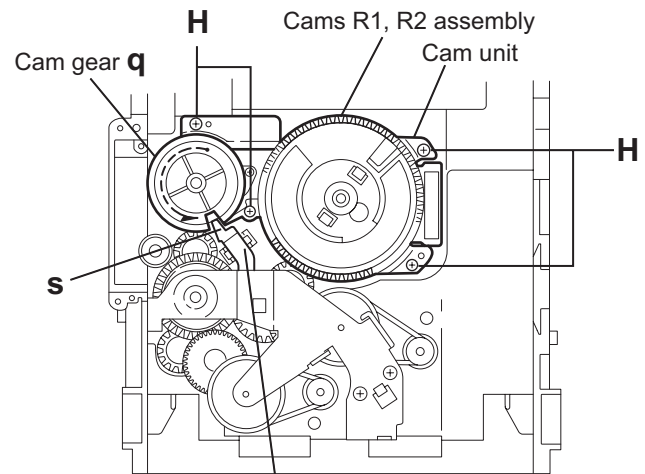


Fig.16



Select lever
Fig.17

3.3.8 Removing the actuator motor and belt (See Fig.18~21)

- (1) Remove the two screws **I** retaining the gear bracket.
- (2) While pressing the pawl **t** fixing the gear bracket in the arrow direction, remove the gear bracket.
- (3) From the notch **u** section on the chassis assembly fixing the edge of gear bracket, remove and take out the gear bracket.
- (4) Remove the belts respectively from the right and left actuator motor pulleys and pulley gears.
- (5) After turning over the chassis assembly, remove the actuator motor while spreading the four pawls **v** fixing the right and left actuator motors in the arrow direction.

ATTENTION:

When the chassis assembly is turned over under the conditions wherein the gear bracket and belt have been removed, then the pulley gear as well as the gear, etc. constituting the gear unit can possibly be separated to pieces. In such a case, assemble these parts by referring to the assembly and configuration diagram in Fig. 21.

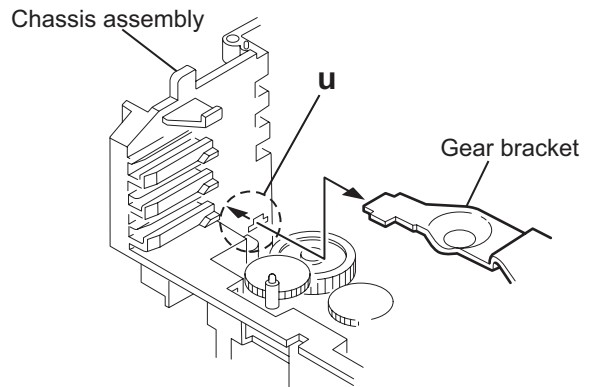


Fig.19

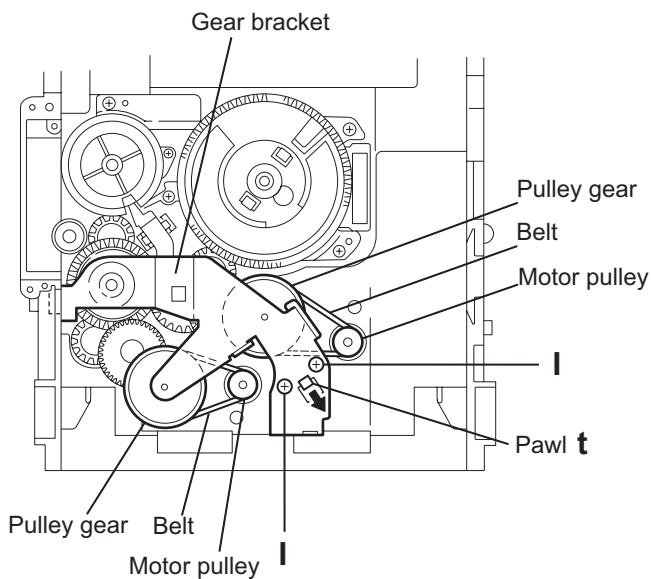


Fig.18

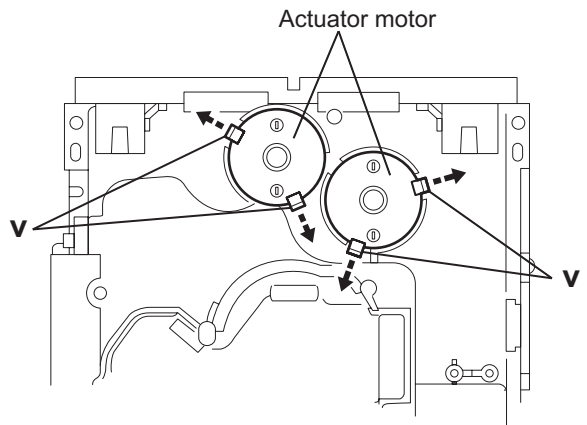


Fig.20

Assembly and Configuration Diagram

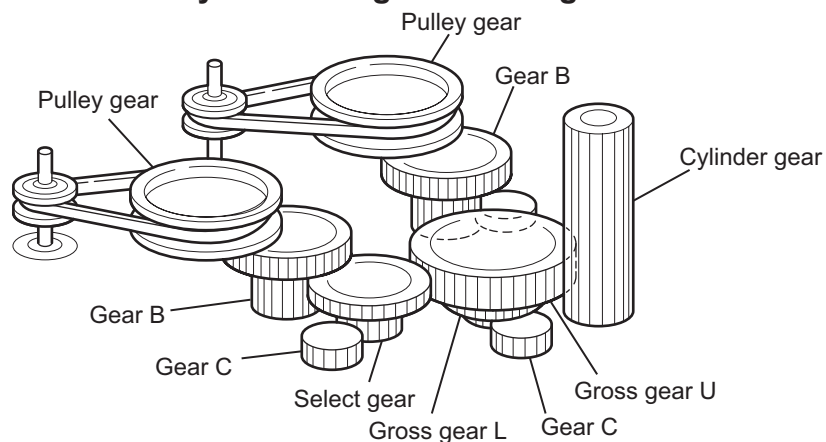


Fig.21

3.3.9 Removing the cams R1/R2 assembly and cam gear q (See Fig.22)

- (1) Remove the slit washer fixing the cams R1 and R2 assembly.
- (2) By removing the two pawls **w** fixing the cam R1, separate R2 from R1.
- (3) Remove the slit washer fixing the cam gear **q**.
- (4) Pull out the cam gear **q** from the C.G. base assembly.

3.3.10 Removing the C.G. base assembly (See Fig.22 and 23)

- (1) Remove the three screws **J** retaining the C.G. base assembly.

CAUTION:

To reassemble the cylinder gear, etc.with the cam unit (cam gear and cans R1/R2 assembly), gear unit and drive unit, align the position of the pawl **x** on the drive unit to that of the notch on the cam gear **q**. Then, make sure that the gear unit is engaged by turning the cam gear **q**.

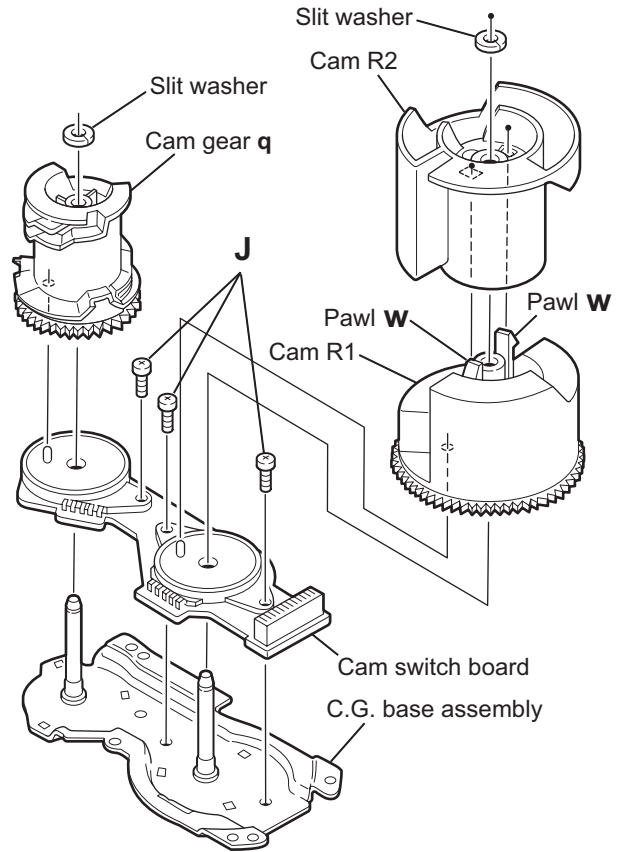


Fig.22

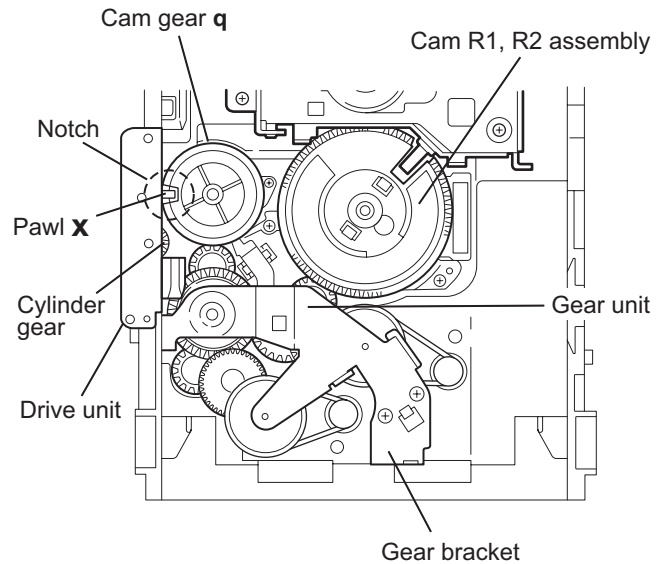


Fig.23

3.3.11 Removing the Pickup unit (See Fig.24 and 25)

- (1) Turn the cam gear in the direction of the arrow to move the pickup unit toward the center.
- (2) Extend the guide shaft stopper in the direction of the arrow, move the guide shaft and pull out as shown in the figure.
- (3) Pull out the pickup unit from the joint a.

CAUTION:

When reassembling, attach the pickup unit to the chassis base firmly at the joint a.

- (4) Release the four joint b on the back on the pickup unit to remove the CD rack.

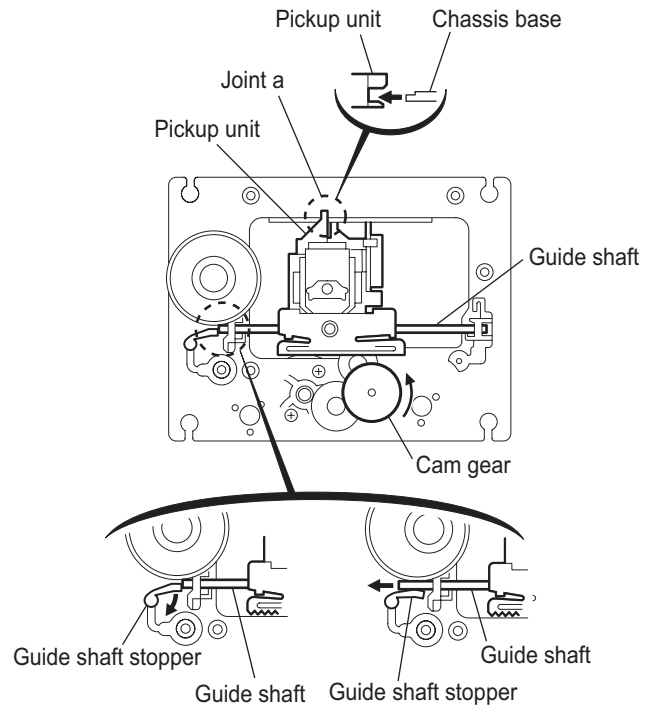


Fig.24

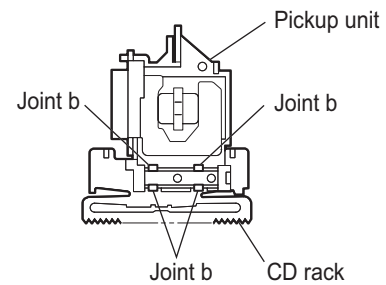
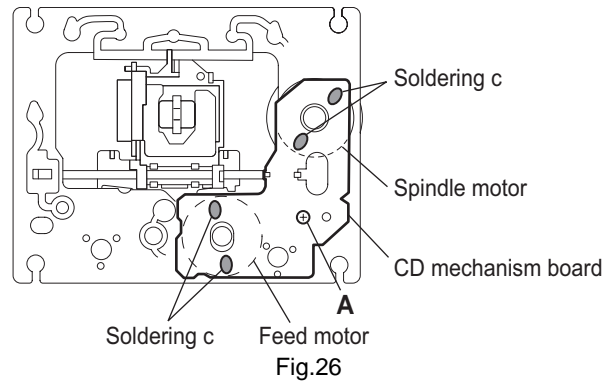


Fig.25

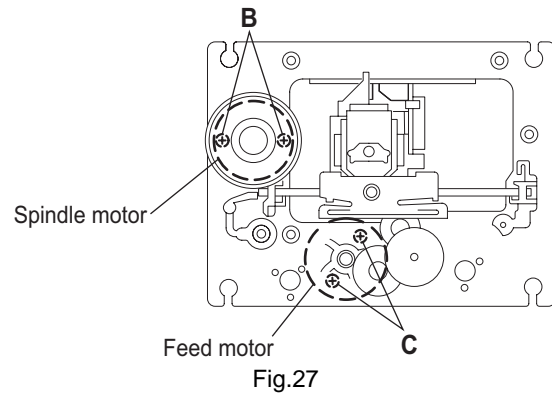
3.3.12 Removing the CD mechanism board (See Fig.26)

- (1) On the back of the CD mechanism assembly, unsolder the four soldering **c** attaching the CD mechanism board, the spindle motor and the feed motor.
- (2) Removing the screw **A**.



3.3.13 Removing the Spindle motor/Feed motor (See Fig.27)

- Prior to performing the following procedure, remove the CD mechanism board.
- (1) From the top side of the CD mechanism assembly, remove the two screws **B** and two screws **C** attaching the spindle motor and the feed motor respectively.



3.4 Cassette mechanism assembly

3.4.1 Removing the Play/Record & Clear head

(See Fig.1~3)

- (1) While moving the trigger arm on the right side of the head mount in the direction of the arrow, turn the flywheel R counterclockwise until the head mount comes ahead and clicks.
- (2) The head turns counterclockwise as you turn the flywheel R counterclockwise (See Fig.2 and 3).
- (3) Disconnect the flexible wire from connector CN31 on the head amplifier & mechanism control board.
- (4) Remove the spring from the back of the head.
- (5) Loosen the azimuth screw for reversing attaching the head.
- (6) Remove the head on the front side of the head mount.

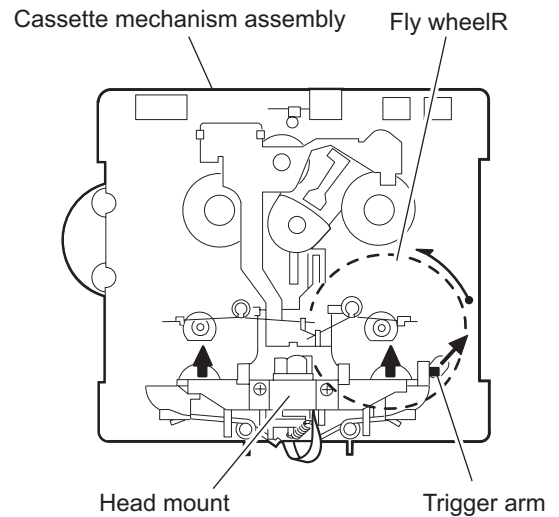


Fig.1

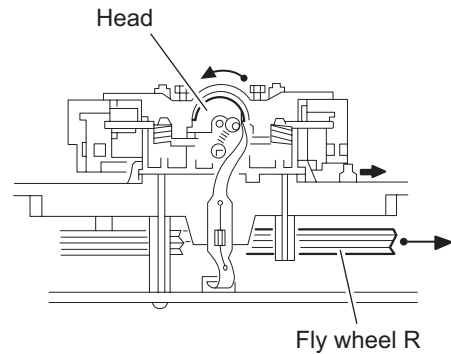


Fig.2

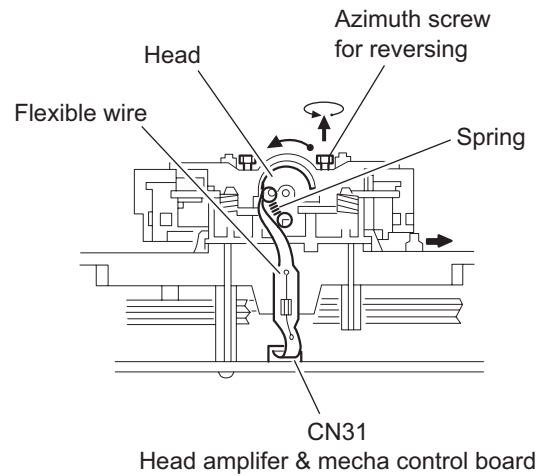


Fig.3

3.4.2 Removing the head amplifier & mechanism control board (See Fig.4)

- (1) Turn over the cassette mechanism assembly and remove the three screws **A** attaching the head amplifier & mechanism control board.
- (2) Disconnect the flexible wire from connector CN31 on the head amplifier & mechanism control board.
- (3) Disconnect connector CN32 of the head amplifier & mechanism control board from connector CN1 on the reel pulse board. REFERENCE: If necessary, unsolder the 4-pin wire soldered to the main motor.

3.4.3 Removing the main motor (See Fig.4-7)

- (1) Remove the two screws **B**.
- (2) Half raise the motor and remove the capstan belt from the motor pulley.

ATTENTION:

Be careful to keep the capstan belt from grease. When reassembling, refer to Fig.6 and 7 for attaching the capstan belt.

Head amplifier & mecha control board

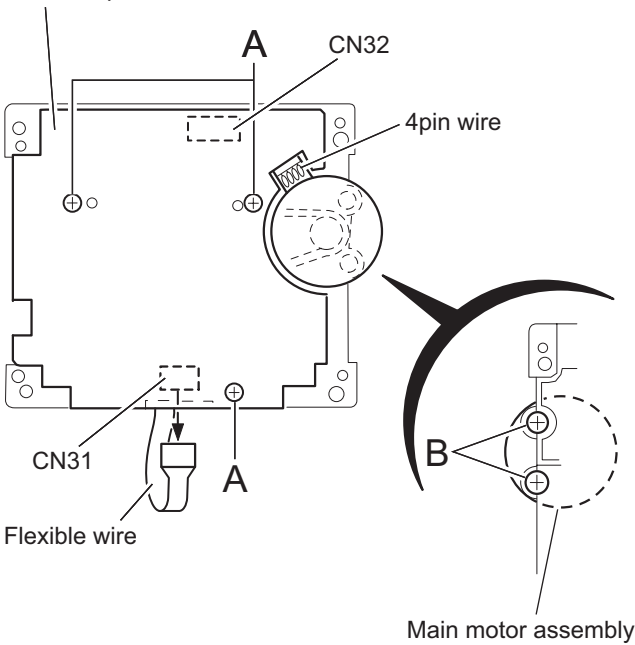


Fig.4

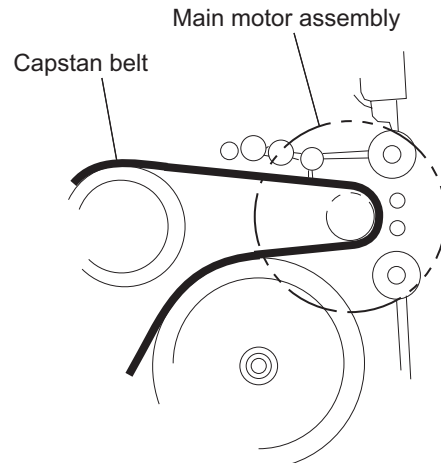


Fig.5

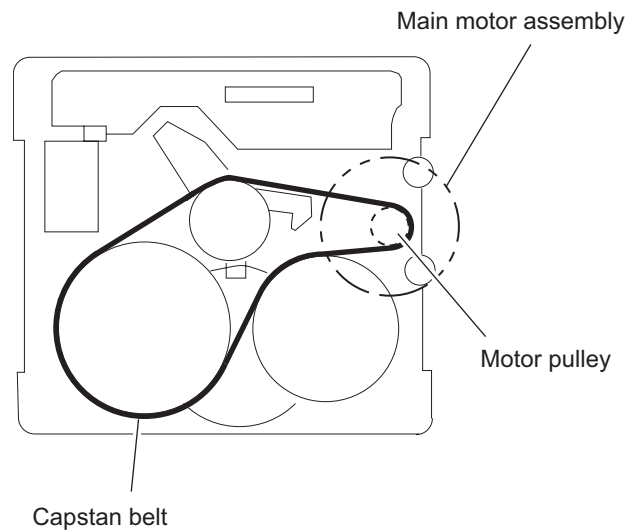


Fig.6

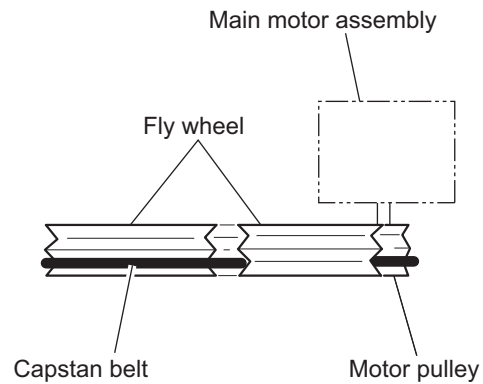
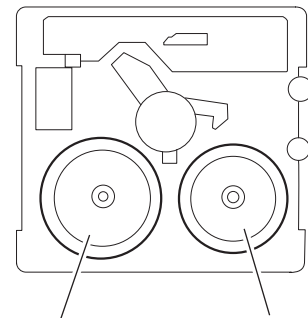


Fig.7

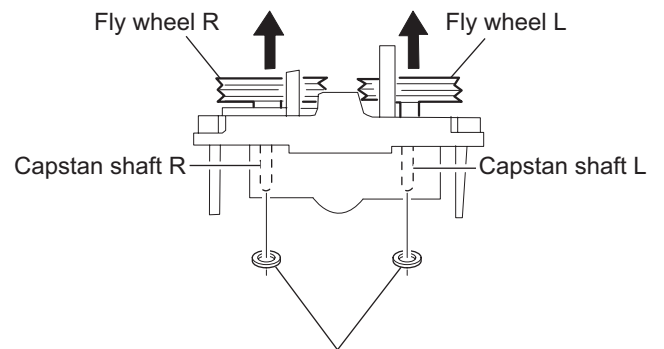
3.4.4 Removing the flywheel (See Fig.8, 9)

- Prior to performing the following procedure, remove the head amplifier & mechanism control board and the main motor assembly.
- (1) From the front side of the cassette mechanism, remove the slit washers attaching the capstan shaft **L** and **R**. Pull out the flywheels backward.



Fly wheel R Fly wheel L

Fig.8



Slit washer
Fig.9

3.4.5 Removing the reel pulse board and solenoid (See Fig.10)

- Prior to performing the following procedure, remove the head amplifier & mechanism control board.
- (1) Remove the screw **C**.
- (2) Release the tab **a**, **b**, **c**, **d** and **e** retaining the reel pulse board.
- (3) Release the tab **f** and **g** attaching the solenoid on the reel pulse board.
- (4) The reel pulse board and the solenoid come off.

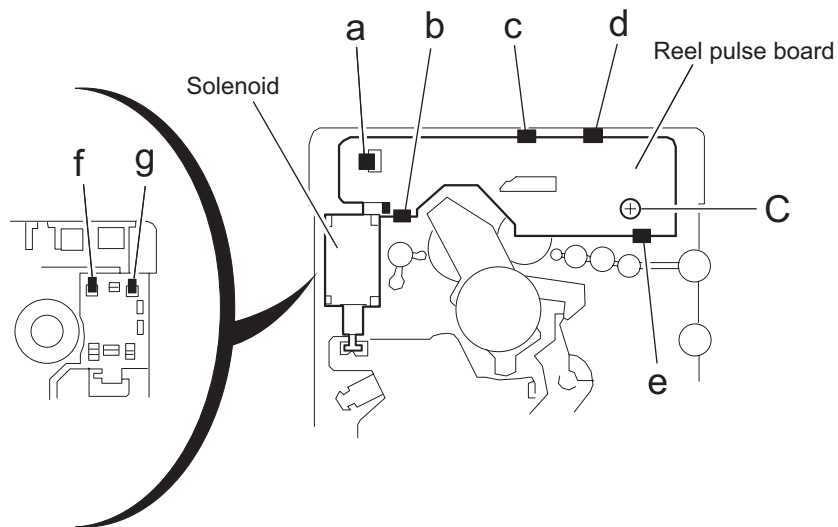


Fig.10

3.4.6 Reattaching the Play/ Record & Clear head (See Fig.11~13)

- (1) Reattaching the head mount assembly.
 - a) Change front of the direction cover of the head mount assembly to the left (Turn the head forward).
 - b) Fit the bosses **O'**, **P'**, **Q'**, **U'** and **V'** on the head mount assembly to the holes **P** and **V**, the slots **O**, **U** and **Q** of the mechanism sub assembly (See Fig.11 to 13).

CAUTION:

To remove the head mount assembly, turn the direction cover to the left to disengage the gear. If the gear can not be disengaged easily, push up the boss **Q'** slightly and raise the rear side of the head mounts slightly to return the direction lever to the reversing side.

- (2) Tighten the azimuth screw for reversing.
- (3) Reattach the spring from the back of the Play/ Record & Clear head.
- (4) Connect the flexible wire to connector CN31 on the head amplifier & mechanism control board.

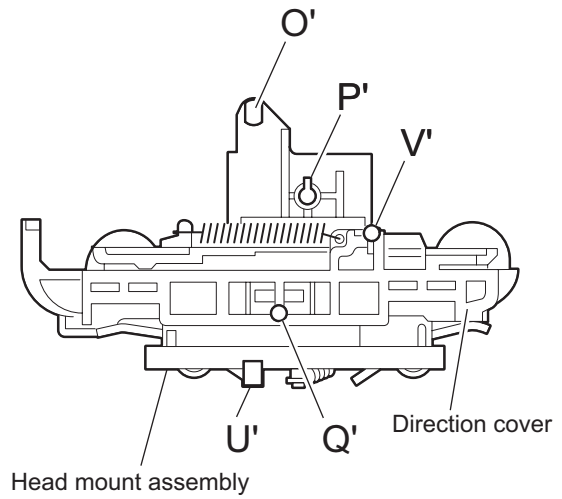


Fig.11

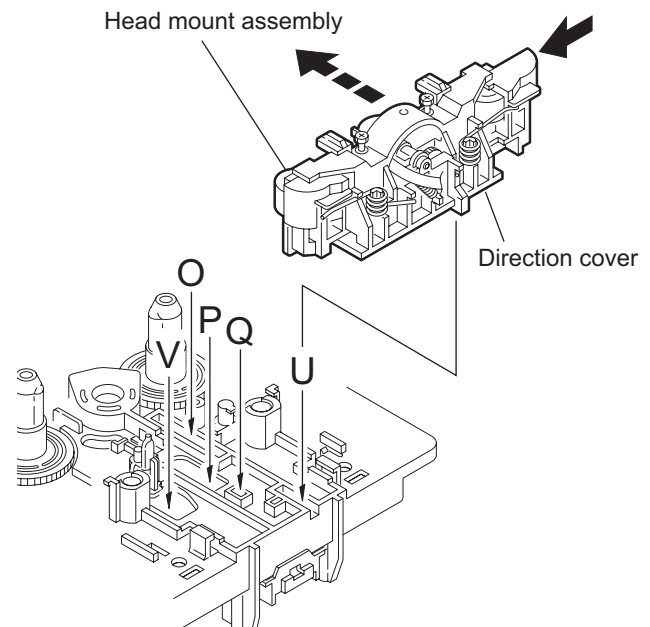


Fig.12

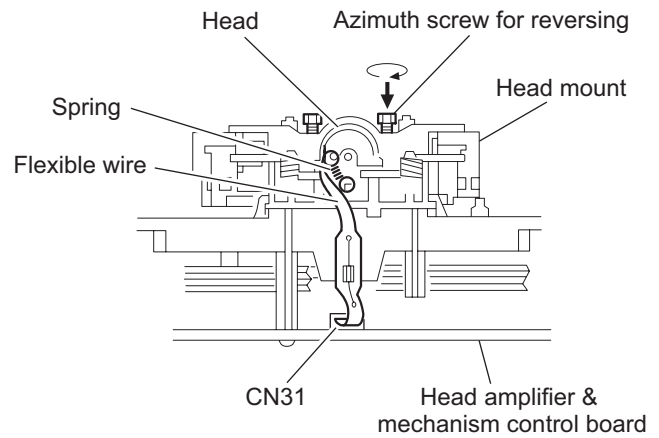


Fig.13

3.5 Speaker section

3.5.1 Main speaker

3.5.1.1 Removing the front cover (See Fig.1, 2)

CAUTION:

Do not break or damage the front panel and body that are glued at the joints **a**. (See Fig.1)

- (1) Remove the four screws **A** on the front of the body respectively.
- (2) Remove the front cover toward the front and disconnect the yellow and black wires from the two tweeter speaker terminals.

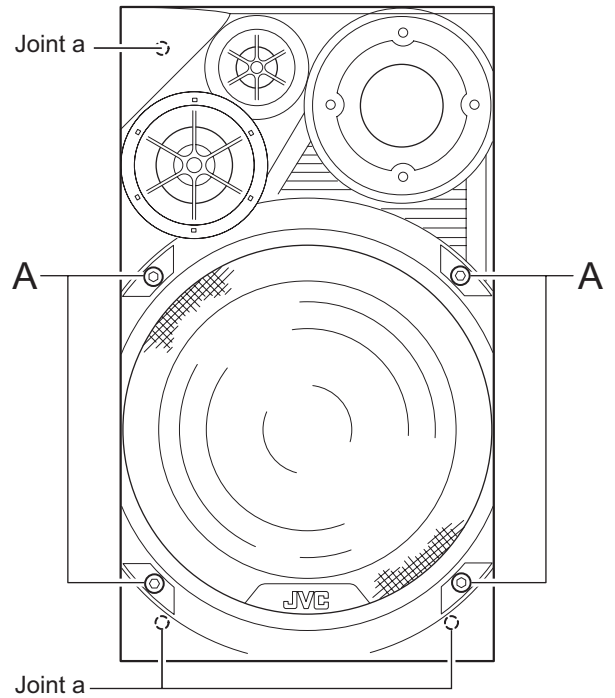


Fig.1

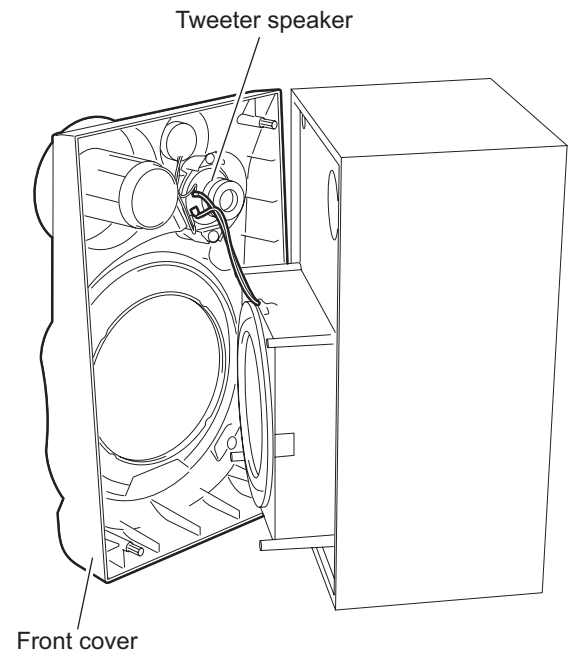
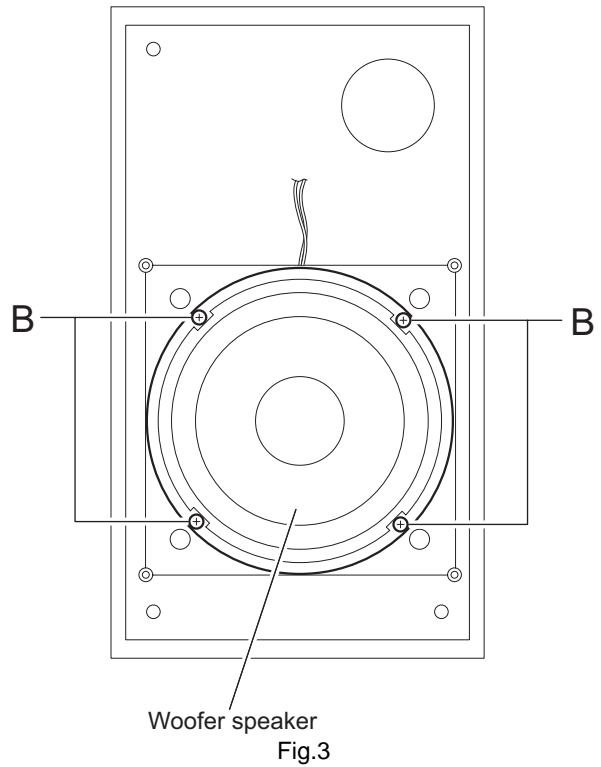


Fig.2

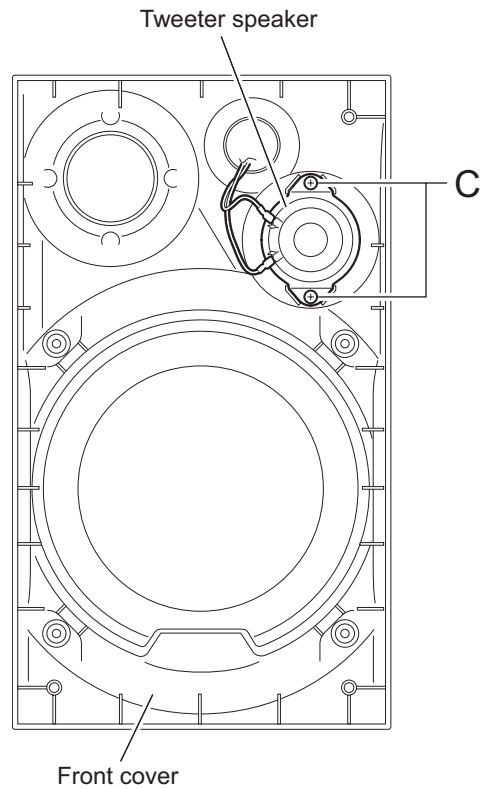
3.5.1.2 Removing the woofer speaker (See Fig.3)

- Prior to performing the following procedure, remove the front cover.
 - (1) Remove the four screws **B** on the front of the body.
 - (2) Pull out the woofer speaker toward the front and disconnect the wire (yellow and black, red and black) from the two speaker terminals.



3.5.1.3 Removing the tweeter speaker (See Fig.4)

- Prior to performing the following procedure, remove the front cover.
 - (1) Disconnect the blue and white wires from the two tweeter speaker terminals.
 - (2) Remove the two screws **C** attaching the tweeter speaker on the back of the front cover.



3.5.2 Sub woofer

3.5.2.1 Removing the front cover (See Fig.5)

CAUTION:

Do not break or damage the front panel and body that are glued at the joints **b**. (See Fig.5)

- (1) Remove the front cover toward the front.

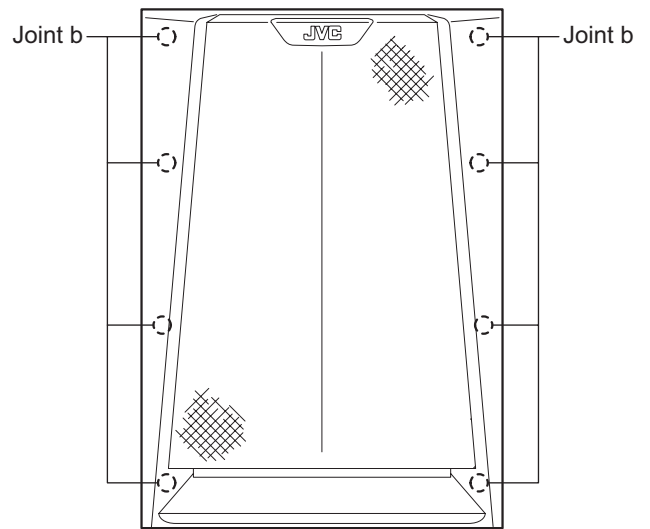


Fig.5

3.5.2.2 Removing the sub woofer speaker (See Fig.6)

- Prior to performing the following procedure, remove the front cover.
 - (1) Remove the six screws **E** on the front of the body.
 - (2) Pull out the woofer speaker toward the front and disconnect the red and black wires from the four speaker terminals.

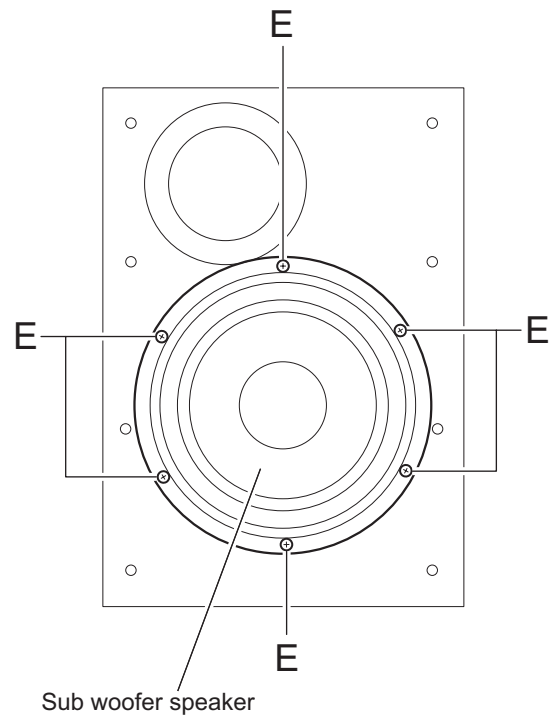
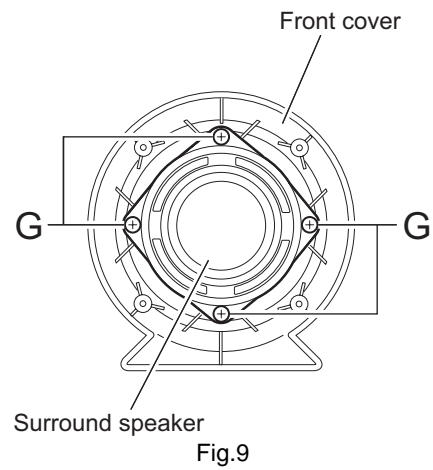
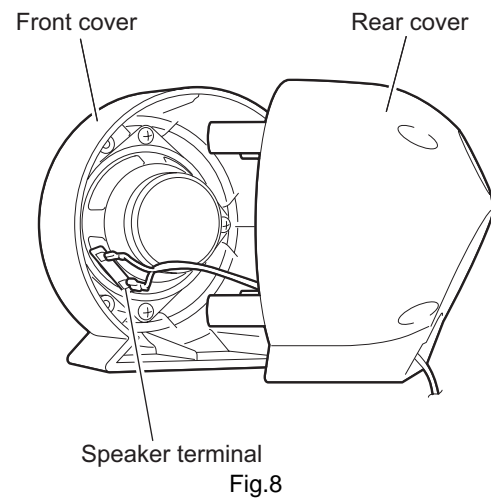
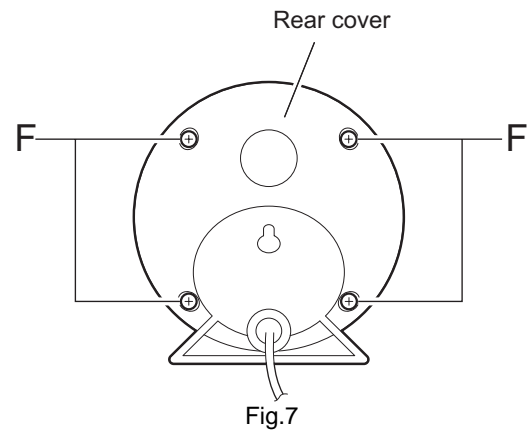


Fig.6

3.5.3 Surround speaker

3.5.3.1 Removing the rear cover (See Fig.7~9)

- (1) Remove the four screws **F** on the back of the body.
- (2) Disconnect the wires from the two terminals on the rear of the surround speaker.
- (3) Remove the four screws **G** on the back of the front cover.



SECTION 4 ADJUSTMENT

4.1 Measurement Instruments Required for Adjustment

- (1) Low frequency oscillator
This oscillator should have a capacity to output 0dBs to 600Ω at an oscillation frequency of 50Hz-20kHz.
- (2) Attenuator impedance : 600Ω
- (3) Electronic voltmeter
- (4) Distortion meter
- (5) Frequency counter
- (6) Wow & flutter meter
- (7) Test tape
VT703L : Head azimuth
VT712 : Tape speed and running unevenness (3kHz)
VT724 : Reference level (1kHz)
- (8) Blank tape
TYPE I : AC-225
TYPE II : AC-514
- (9) Torque gauge : For play and back tension
FWD(TW2111A), REV(TW2121a) and FF/REW(TW2231A)
- (10) Test disc: CTS-1000

4.2 Measurement conditions

Power supply voltage	AC 110V/AC127V/AC220V AC 230V-AC240V (adjustable with the voltage selector), ~50Hz/60Hz
Reference output	Speaker : 0.775V/6Ω Headphone : 0.077V/32Ω

Reference frequency and input level	1kHz, AUX : -8dBs
Measurement output terminal	at Speaker J3002
Load resistance	6Ω

4.2.1 Radio Input signal

AM frequency	400Hz
AM modulation	30%
FM frequency	400Hz
FM frequency deviation	22.5kHz

4.2.2 Tuner section

Voltage applied to tuner	+B : DC5.7V VT : DC 12V
Reference measurement output	26.1mV(0.28V)/3Ω
Input positions	AM : Standard loop antenna FM : TP1 (hot) and TP2 (GND)

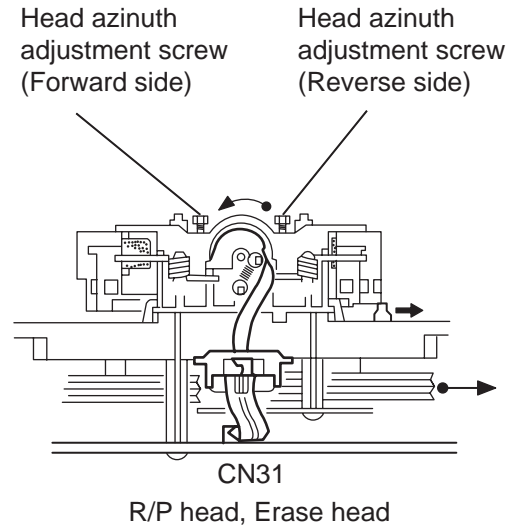
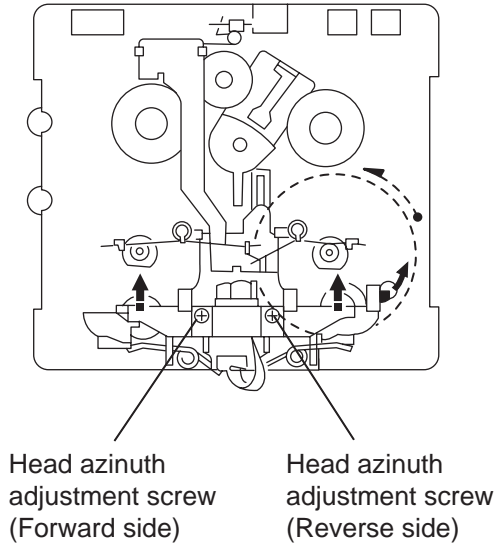
4.2.3 Standard measurement position of volume

Function switch	to Tape
Beat cut switch	to Cut
Super Bass/Active hyper Bass	to OFF
Bass Treble	to Center
Adjustment of main volume to reference output	VOL : 0.775V

Precautions for measurement

- (1) Apply 30pF and 33kΩ to the IF sweeper output side and 0.082μ F and 100kΩ in series to the sweeper input side.
- (2) The IF sweeper output level should be made as low as possible within the adjustable range.
- (3) Since the IF sweeper is a fixed device, there is no need to adjust this sweeper.
- (4) Since a ceramic oscillator is used, there is no need to perform any MIX adjustment.
- (5) Since a fixed coil is used, there is no need to adjust the FM tracking.
- (6) The input and output earth systems are separated. In case of simultaneously measuring the voltage in both of the input and output systems with an electronic voltmeter for two channels, therefore, the earth should be connected particularly carefully.
- (7) In the case of BTL connection amp., the minus terminal of speaker is not for earthing. Therefore, be sure not to connect any other earth terminal to this terminal. This system is of an BTL system.
- (8) For connecting a dummy resistor when measuring the output, use the wire with a greater code size.
- (9) Whenever any mixed tape is used, use the band pass filter (DV-12).

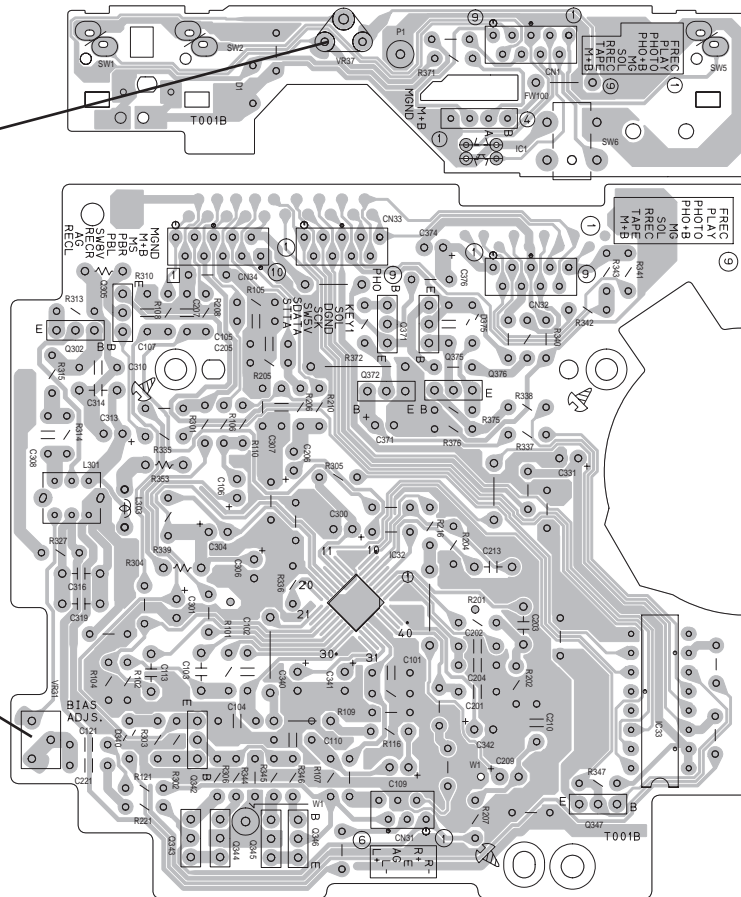
4.3 Cassette mechanism adjustment



Mecha control board

Motor speed
VR37

BIAS adjust
VR31



4.4 Mechanism section

Item	Condition	Measurement method	Ref. value	Adjustment position
Head azimuth	Test tape :VT703L (8kHz) Output terminal :Speaker out	(1) Playback the test tape VT703L (8kHz). (2) Adjust to maximum output level by azimuth adjustment screw for forward side and reverse side. (3) This adjustment is adjust by adjustment screw of forward side and adjustment screw of reverse side.	Maximum output	Only adjust at changed head
Tape speed	Test tap :VT712 (3kHz) Output terminal :Speaker out or Headphone out	Playback the test tape VT712 (3kHz) at end of forward side,adjust to 2,940~3,90Hz indication of frequency counter by VR37.	2,940 ~ 3,090Hz	VR37

Item	Condition	Measurement method	Ref. value	Adjustment position
Tape speed diviation at FWD/REV	Test tape : VT712 (3kHz) Output terminal :Speaker out or Headphone out	Playback the test tape VT712 (3kHz) at end of forward and reverse, tape speed deviation should be less than 6.0Hz.	Leass than 6.0Hz	VR31
Wow & Flutter	Test tape : VT712 (3kHz) Output terminal :Speaker out or Headphone out	Playback the test tape VT712 (3kHz) at start of forward and reverse, Wow & Flutter are should be less than 0.25%(WRMS).	Less than 0.25% (WRMS)	

4.4.1 Electrical adjustment

Item	Condition	Measurement method	Ref. value	Adjustment position
Recording BIAS adjustment	<ul style="list-style-type: none"> Forward or Reverse Test tape : AC-514 TYPE II : AC-225 TYPE I Output terminal Recording head 	<ol style="list-style-type: none"> Set the test tape(AC-514 TYPE II and AC-225 TYPE I), then make REC/PAUSE condition. Connect 100Ω to recording head by series, then connect to VTVM for measurement the current. After setting, start the recording by release the PAUSE, in this time bias current adjust to next fig. by VR31 for Lch and VR32 for Rch. 4.0 μA (TYPE II) and 4.20 μA (TYPE I). 	AC-225 : 4.20μA AC-514 : 4.0μA	VR31
R/P playback frequency response	<ul style="list-style-type: none"> Reference frequency : 1kHz / 10kHz (Reference: -20dB) Test tape : AC-514 TYPE II Input terminal : OSC IN 	<ol style="list-style-type: none"> Set the test tape (AC-514 TYPE), then make REC/PAUSE condition. Release the PAUSE, then start recording the 1kHz and 10kHz of reference frequency from oscillator. Playback the recorded position, 1kHz and 10kHz output deviation should -1dB 2dB to readjust by VR31 for Lch and VR32 for Rch. 	Output deviation 1kHz/10kHz : -1dB ± 2dB	VR31

4.4.2 Electrical response confirmation

Item	Condition	Measurement method	Ref. value	Adjustment position
Recording bias current	<ul style="list-style-type: none"> Forward or Reverse Test tape : TYPE II (AC-514) Measurement terminal : BIAS test point on printed circuit board 	<ol style="list-style-type: none"> Change BIAS1 and 2, confirm the frequency should be change. Set the test tape (AC-514 TYPE II), then make REC/PAUSE condition. Confirm the frequency should 100Hz ± 6kHz at BIAS test point on printed circuit board. 	100 kHz ± 6 kHz	
Erase current (reference value)	<ul style="list-style-type: none"> Forward or Reverse Rec condition Test tape : AC-514 TYPE II : AC-225 TYPE I Measurement terminal Both side of Erase head 	<ol style="list-style-type: none"> Set the test tape (AC-514 TYPE II and AC-225 TYPE I), then make REC/PAUSE condition. Release the PAUSE to REC condition, connect 1W to ERASE head by series, then confirm the erase current at both side of erase head. 	TYPE II : 120 mA TYPE I : 75 mA	

If change the CD mechanism or printed circuit board, should done the initialize operation for write the mechanism position to E2PROM.

Initialize operation is done to next operation.

Set to standby condition

Press together the cassette Reverse key and clock key of main body.

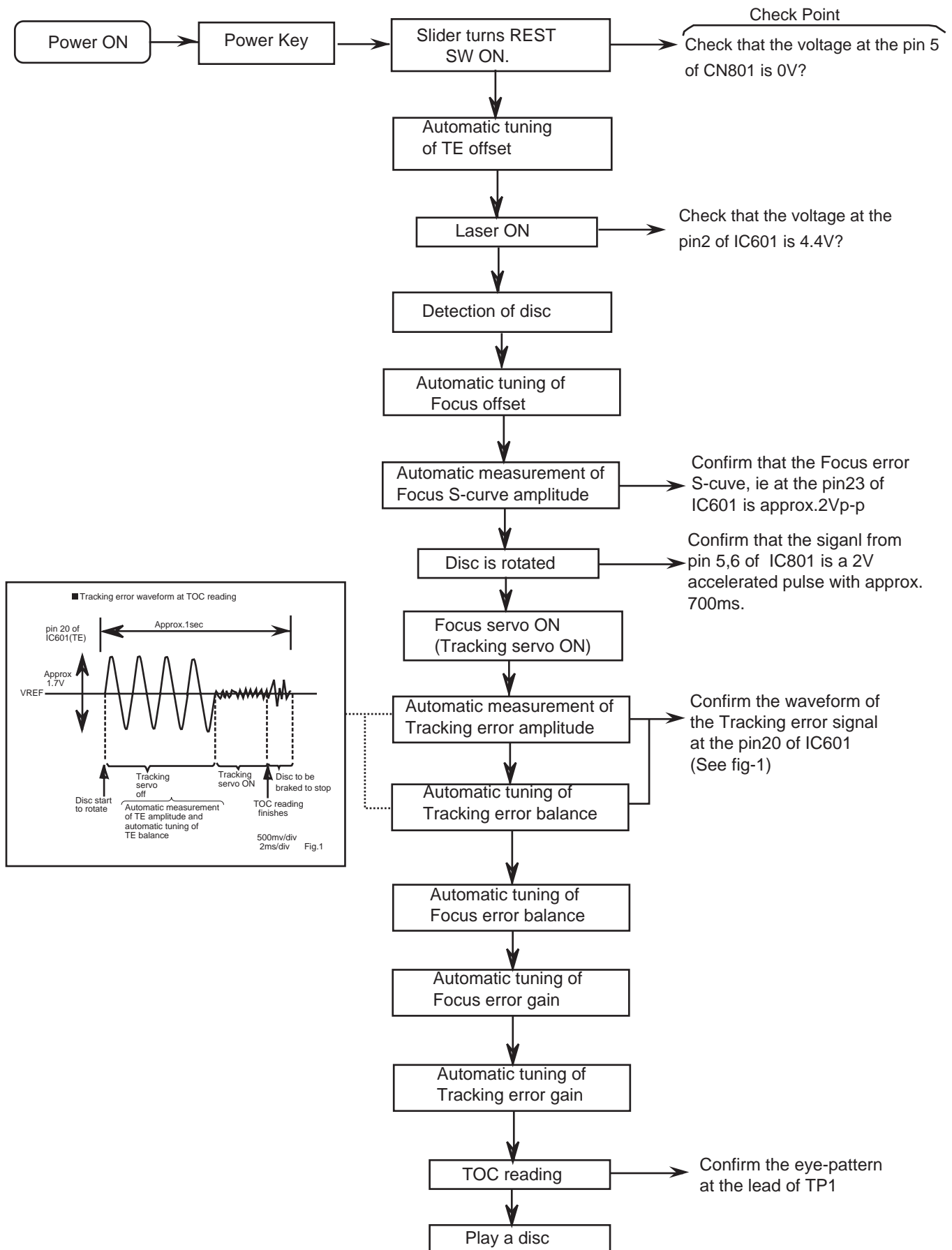
Keep this condition, then power switch to ON.

Initialize operation is automatically to start and stop.

Complete the initialize operation.

Initialize operation is release by power switch to OFF.

4.5 Flow of functional operation until TOC read (CD)



4.6 Maintenance of laser pickup (CD)

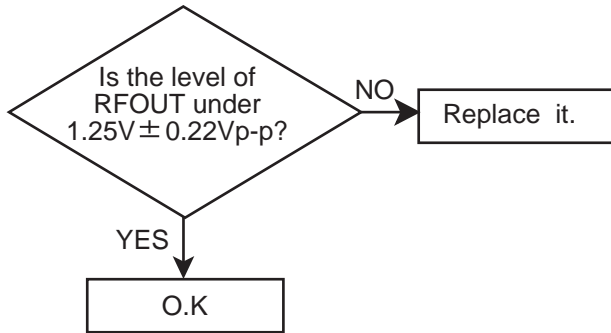
(1) Cleaning the pick up lens

Before you replace the pick up, please try to clean the lens with a alcohol soaked cotton swab.

(2) Life of the laser diode

When the life of the laser diode has expired, the following symptoms will appear.

- The level of RF output (EFM output : amplitude of eye pattern) will below.



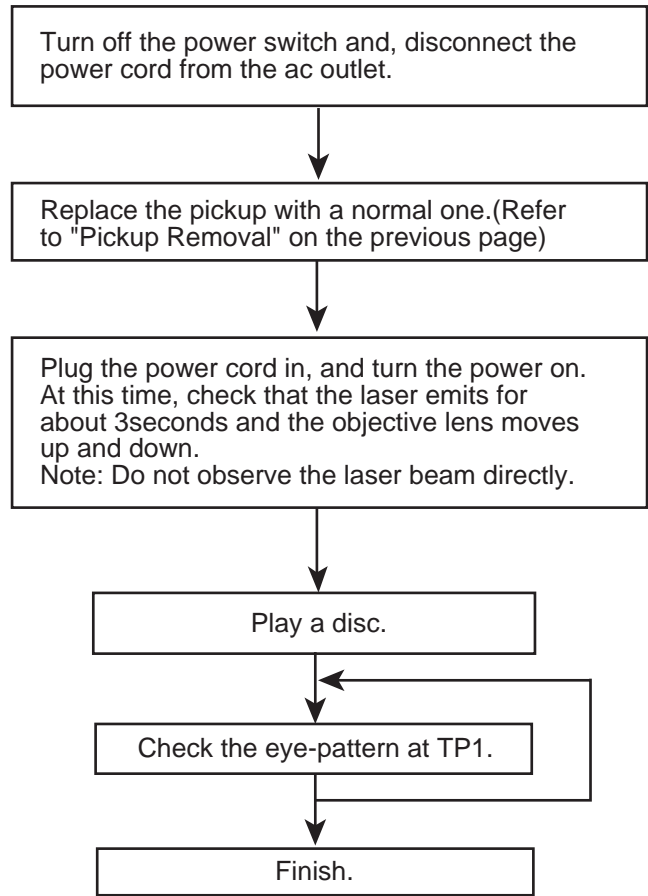
(3) Semi-fixed resistor on the APC PC board

The semi-fixed resistor on the APC printed circuit board which is attached to the pickup is used to adjust the laser power. Since this adjustment should be performed to match the characteristics of the whole optical block, do not touch the semi-fixed resistor.

If the laser power is lower than the specified value, the laser diode is almost worn out, and the laser pickup should be replaced.

If the semi-fixed resistor is adjusted while the pickup is functioning normally, the laser pickup may be damaged due to excessive current.

4.7 Replacement of laser pickup (CD)



SECTION 5 TROUBLE SHOOTING

This service manual does not describe SPECIFIC SERVICE INSTRUCTIONS.



JVC

VICTOR COMPANY OF JAPAN, LIMITED

AV & MULTIMEDIA COMPANY AUDIO/VIDEO SYSTEMS CATEGORY 10-1,1chome,Ohwatari-machi,Maebashi-city,371-8543,Japan

(No.22066)



Printed in Japan
WPC

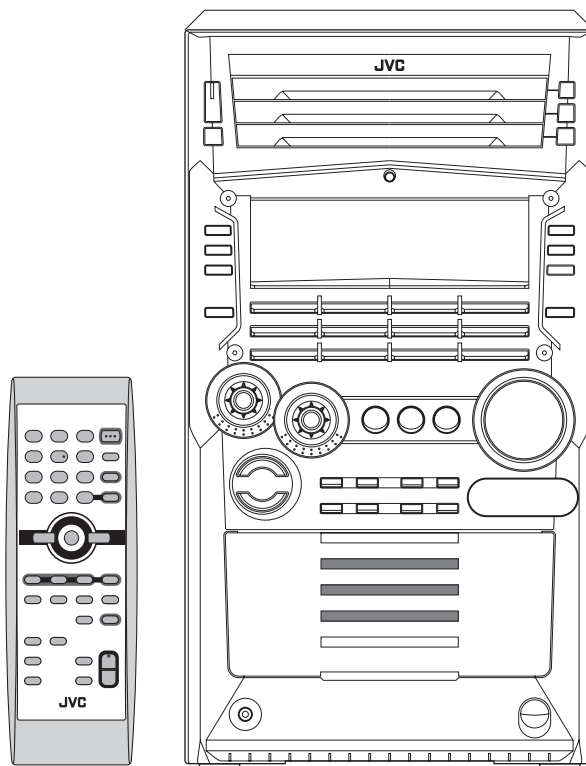
JVC

SCHEMATIC DIAGRAMS

COMPACT COMPONENT SYSTEM

HX-Z9

CD-ROM No.SML200307



COMPACT
disc
DIGITAL AUDIO

Area Suffix

UW ----- Brazil, Mexico, Peru

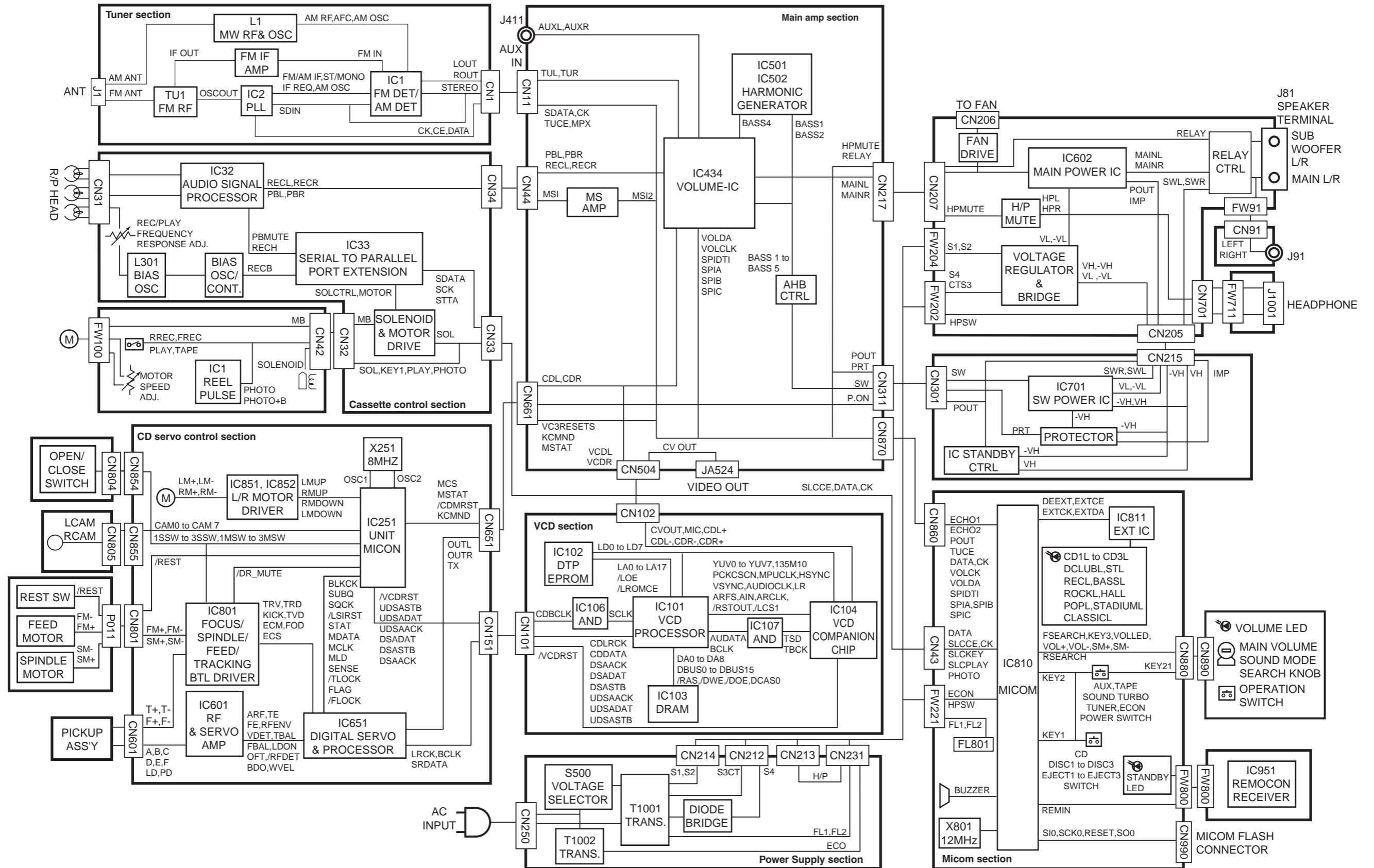
Contents

- 1. Block diagram ----- 2-1
- 2. Standard schematic diagrams ----- 2-2
- 3. Printed circuit boards ----- 2-10 to 13

In regard with component parts appearing on the silk-screen printed side (parts side) of the PWB diagrams, the parts that are printed over with black such as the resistor (■), diode (▣) and ICP (●) or identified by the "⚠" mark nearby are critical for safety.

(This regulation does not correspond to J and C version.)

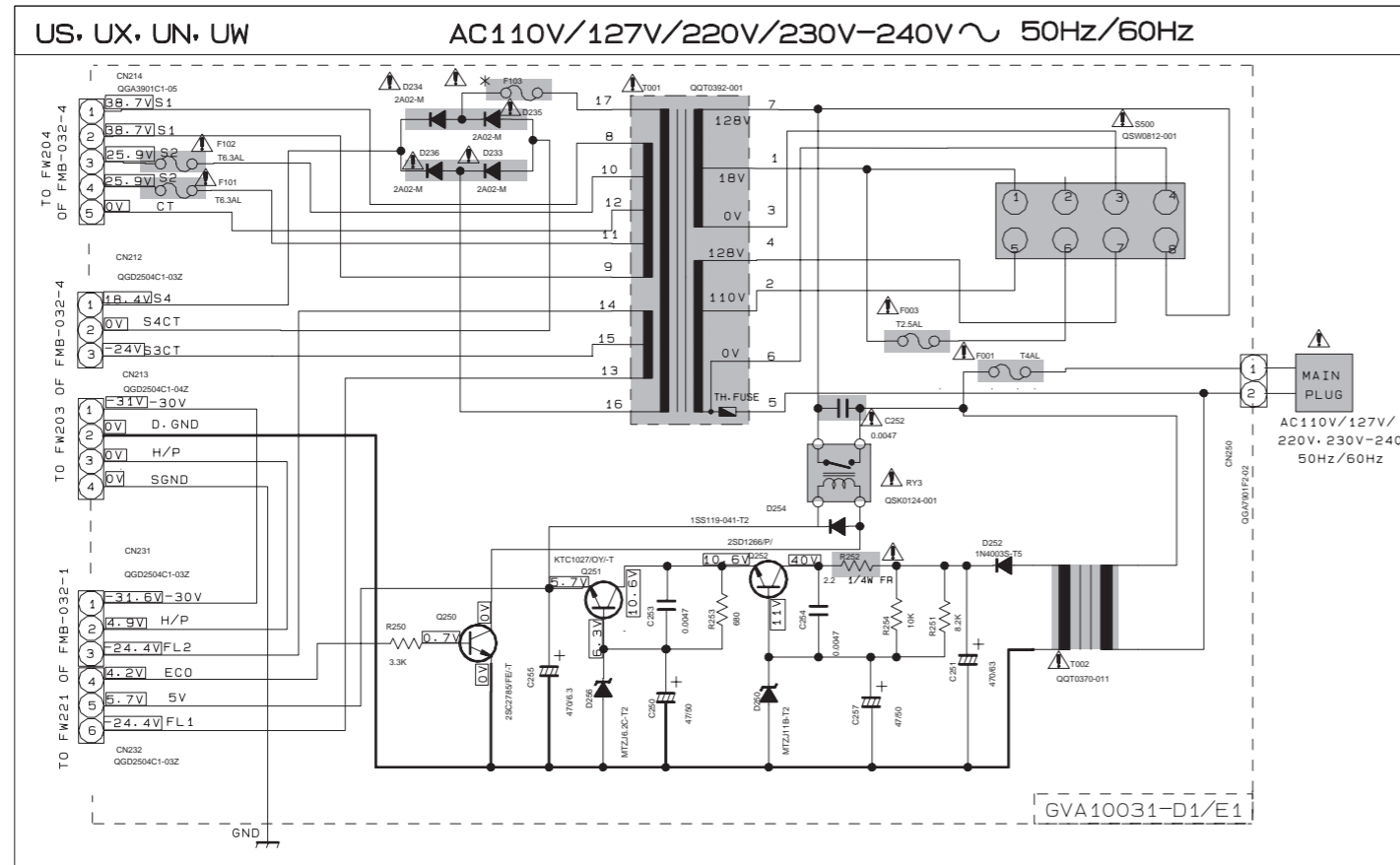
Block diagram



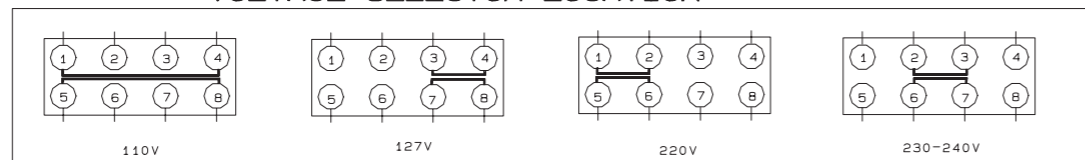
Standard schematic diagrams

■ Primary section

POWER SUPPLY BLOCK



VOLTAGE SELECTOR LOCATION



* MARK

REF. NO	MODEL	
	HX-Z9V	HX-Z9
F103	T3. 15AL	T2. 5AL

EXPLANATION OF OVERALL SCHEMATIC

MODEL HX-Z9V & HX-Z9

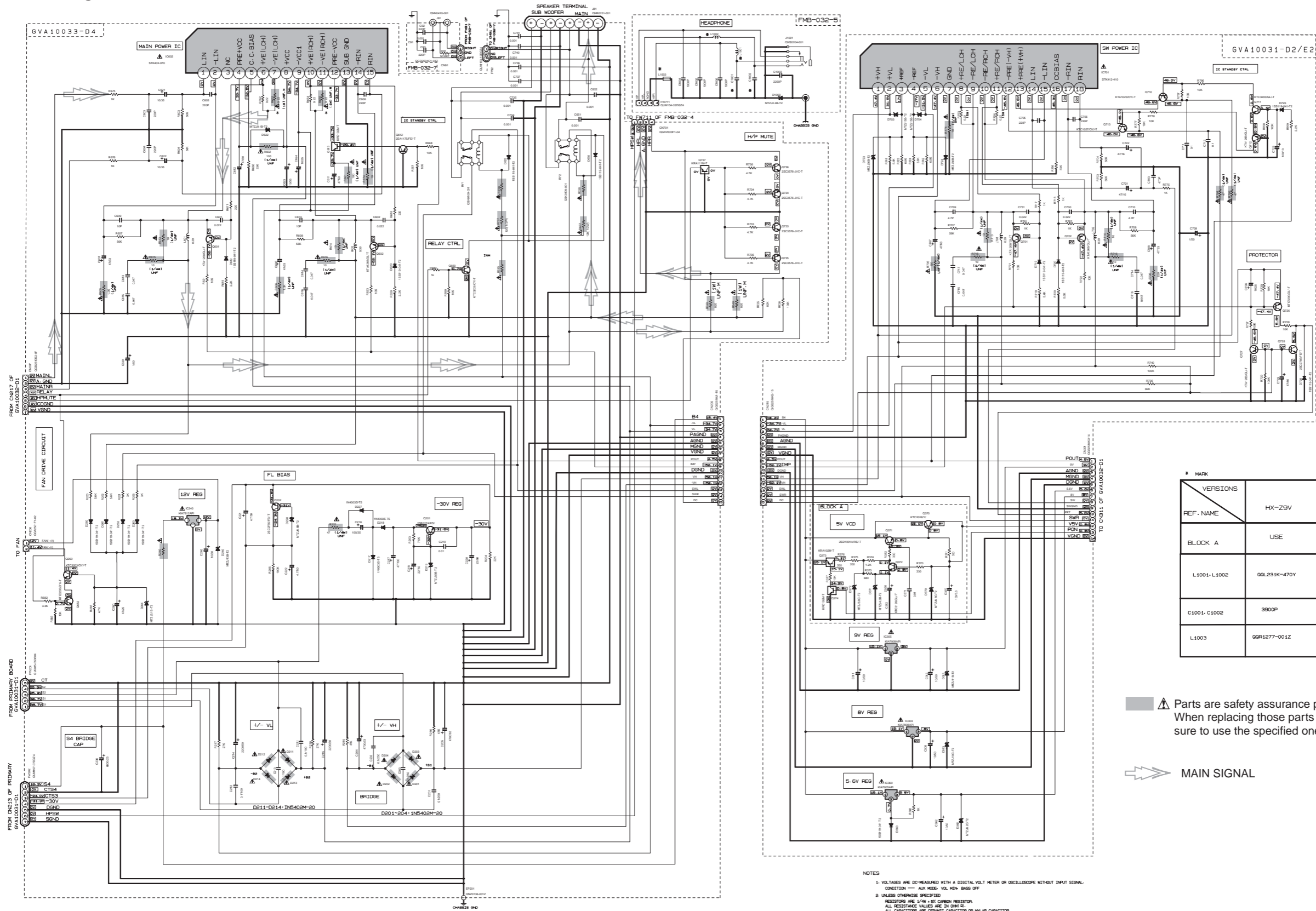
SHEET NUMBER	CIRCUITS DESCRIPTION
1/10	. PRIMARY WITH MAINS TRANSFORMER
2/10	. DC REGULATORS/AUDIO OUTPUT
3/10	. EXTERNAL INPUT. SOURCE SELECTOR SWITCH
4/10	. FL DISPLAY. SYSTEM CONTROL LSI. USER CONTROL KEYS
5/10	. MIC AMP. ECHO CIRCUIT (ONLY FOR US-UN-UX)
6/10	. CD SERVO AND CD SYSTEM CONTROL . CD CHANGER MECHANISM CONTROL VCS-MP3B FOR HX-Z9V
7/10	. CD SERVO AND CD SYSTEM CONTROL . CD CHANGER MECHANISM CONTROL VCS-T201M FOR HX-Z9
8/10	. TAPE DECK MECHANISM CONTROL . TAPE CIRCUITS SUCH AS PRE-AMP AND BIAS
9/10	. TUNER RF/IF/FM MULTIPLEX (ONLY FOR US-UN-UX-UK)
10/10	. VIDEO CD BOARD (ONLY FOR US-UN-UX-UK)

VERSION CODE

UN	: ASEAN
UX	: SAUDI ARABIA
US	: SINGAPORE AND UNIVERSAL EXCEPT ALL OF ABOVE'S
UW	: SOUTH AMERICA EXCEPT ARGENTINA

▲ Parts are safety assurance parts.
When replacing those parts make sure to use the specified one.

Bridge section



MARK

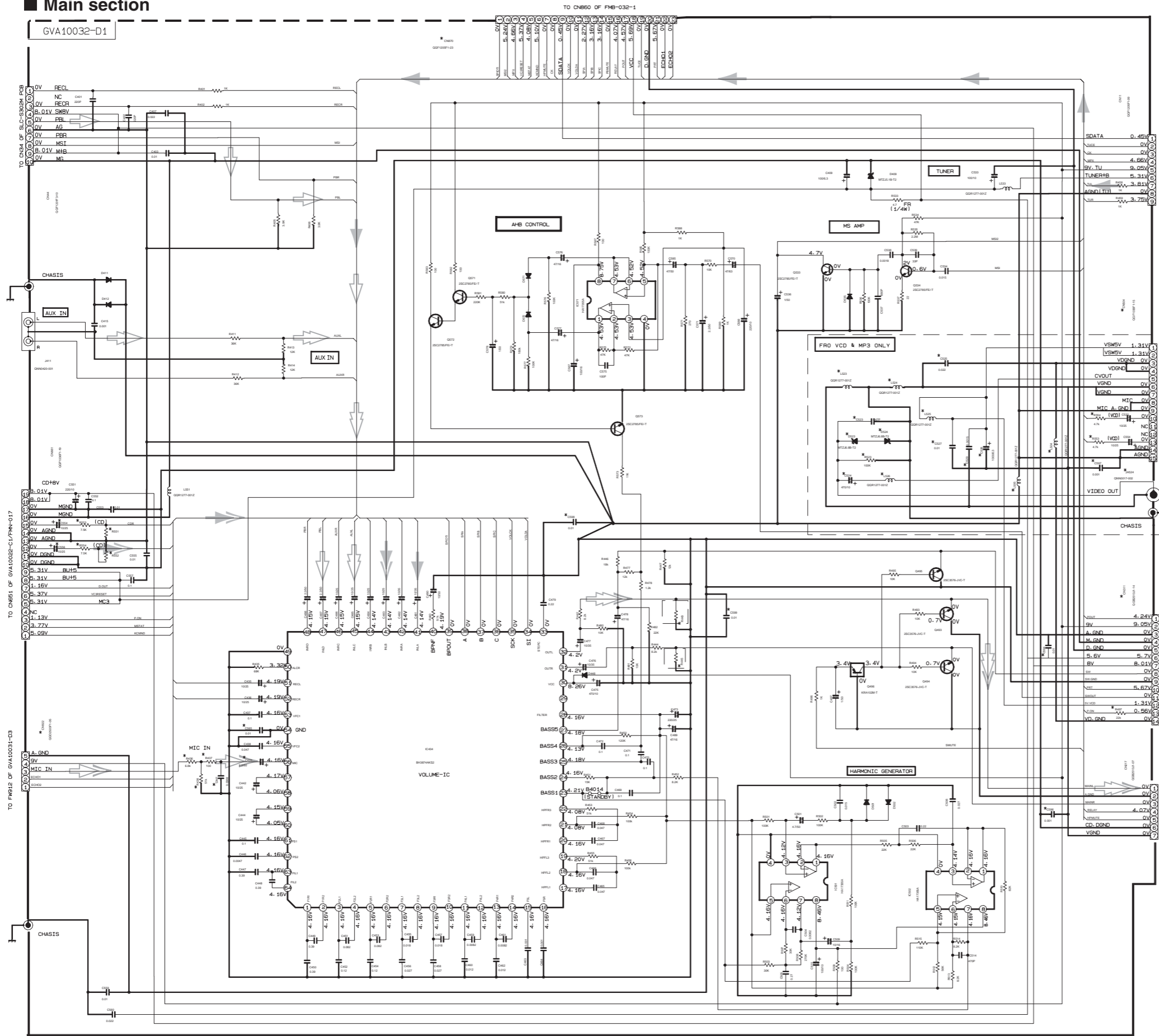
VERSIONS	HX-Z9V	HX-Z9
REF. NAME	HX-Z9V	HX-Z9
BLOCK A	USE	NONE
L1001-L1002	GGL231K-470Y	NONE
C1001-C1002	3900P	NONE
L1003	GGR1277-001Z	GGL231K-0REY

⚠ Parts are safety assurance parts. When replacing those parts make sure to use the specified one.

⚡ MAIN SIGNAL

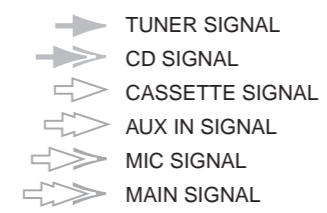
- NOTES
- VOLTAGES ARE MEASURED WITH A DIGITAL VOLT METER OR OSCILLOSCOPE WITHOUT INPUT SIGNAL. CONDITION — AUX MODE, VOL. MIN, BASE OFF
 - UNLESS OTHERWISE SPECIFIED:
 - RESISTORS ARE 1/4W, 5% CARBON RESISTOR. ALL RESISTANCE VALUES ARE IN OHM Ω.
 - CAPACITORS ARE CERAMIC CAPACITOR OR FILAR CAPACITOR. ALL CAPACITANCE VALUES ARE IN #f(pmf).
 - ALL INDUCTANCE VALUES ARE IN mH(mmf).
 - ALL CAPACITORS ARE SHOWN IN THE FORM OF CAPACITANCE (#F)/RATED VOLTAGE (V).
 - ALL DIODES ARE 1SS1519-041-TE

Main section



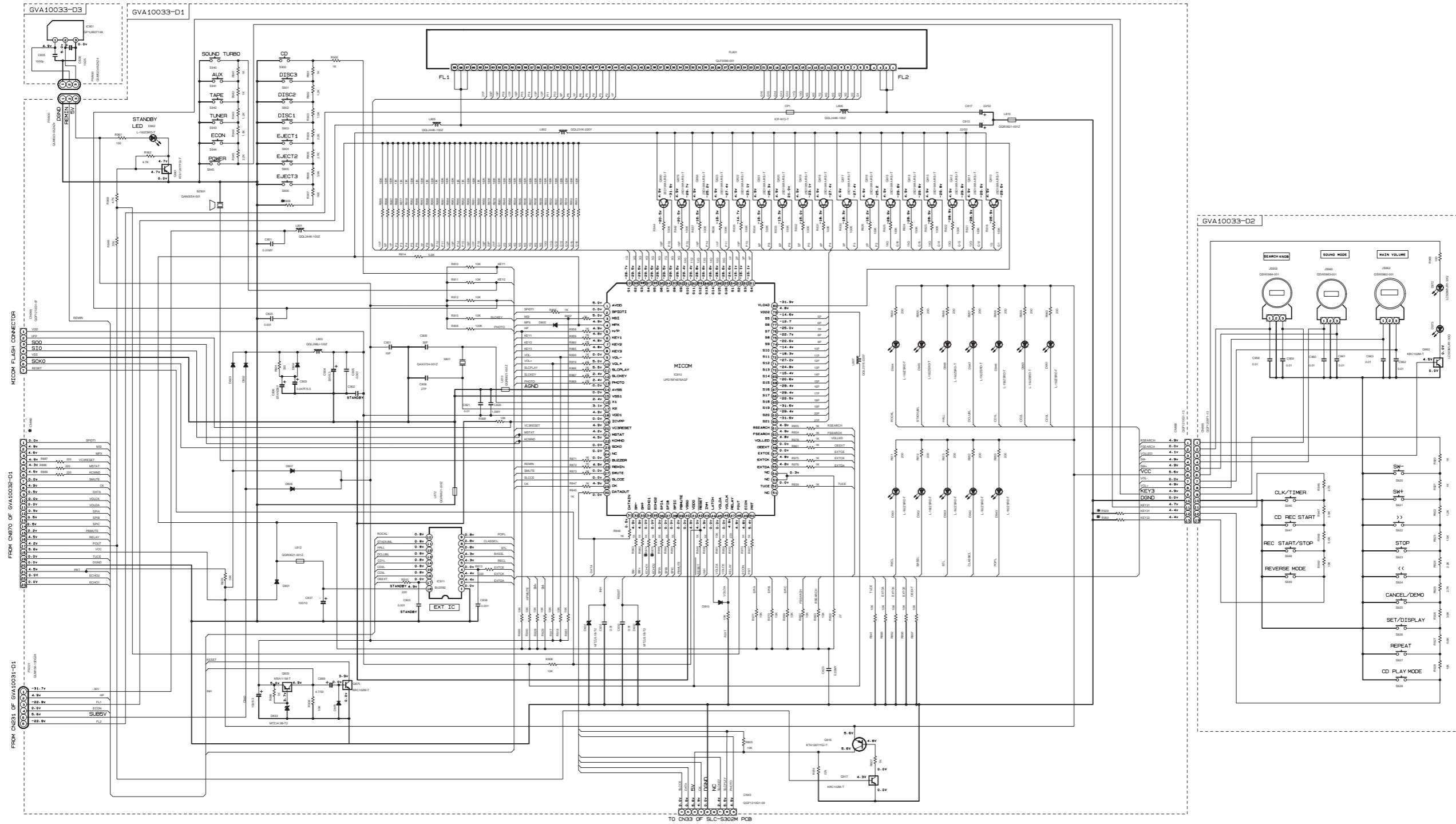
MARK #	MODEL	HX-29V/HX-298V	HX-29
	VERSION	US/UK/JN	UM
D523	MTJ46-8B-T2	NONE	NONE
D524	MTJ46-8B-T2	NONE	NONE
L523	QGR1277-001Z	NONE	NONE
L524	QGR1277-001Z	NONE	NONE
L525	QGR1277-001Z	NONE	NONE
L526	QGR1277-001Z	NONE	NONE
R523	100K	NONE	NONE
R528	1.6K	NONE	NONE
R529	1.6K	NONE	NONE
C523	47P	NONE	NONE
C524	470/10	NONE	NONE
C525	0.022	NONE	NONE
C527	0.01	NONE	NONE
C528	1000/6.3	NONE	NONE
C529	0.0015	NONE	NONE
J4524	QNH0017-002	NONE	NONE
CN504	QGF1036F1-15	NONE	NONE
CN922	QGD2503F1-05	NONE	NONE
CN911	QGB2510J1-14	QGB2510J1-11	
CN870	QGF1205F1-23	QGF1205F1-21	
R436	6.8K	NONE	NONE
R437	100	NONE	NONE
R438	51K	NONE	NONE
C439	2.2/50	NONE	NONE
C441	0.0068	NONE	NONE
R553	4.7K	7.5K	
R554	4.7K	7.5K	
R551	4.7K	2.7K	
R552	4.7K	2.7K	
C520	10/25	NONE	NONE
C556	NONE	10/25	
R497	22K	NONE	NONE
C596	QDGB1HK-102Y	NONE	NONE
C597	QDGB1HK-102Y	NONE	NONE
C598	QDYB1CM-103Y	NONE	NONE
C599	QDYB1CM-103Y	NONE	NONE
C565	QDYB1CM-103Y	NONE	NONE
C594	QDYB1CM-103Y	NONE	NONE
L504	QGR1277-001Z	NONE	NONE
L505	QGR1277-001Z	NONE	NONE

MARK #	MODEL	HX-29V	HX-298V	HX-29
	VERSION	US/UK/JN	US/UK/JN	UM
R443	10K	13K	10K	
R445	10K	13K	10K	



NOTES
 1. VOLTAGES ARE DC-MEASURED WITH A DIGITAL VOLT METER OR OSCILLOSCOPE WITHOUT INPUT SIGNAL. CONDITION — AUX MODE. VOL. MIN. SLEWFOVER VOL. 1.
 2. UNLESS OTHERWISE SPECIFIED:
 RESISTORS ARE 1/4W ±5% CARBON RESISTOR.
 ALL RESISTANCE VALUES ARE IN OHM(Ω).
 ALL CAPACITORS ARE CERAMIC CAPACITOR OR MILAR CAPACITOR.
 ALL CAPACITANCE VALUES ARE IN PICO(F).
 ALL INDUCTANCE VALUES ARE IN MILLI(MH).
 ALL E-CAPACITORS ARE SHOWN IN THE FORM OF CAPACITANCE (µF)/RATED VOLTAGE (V).
 ALL DIODES ARE 1SS119-041-12

Micon section

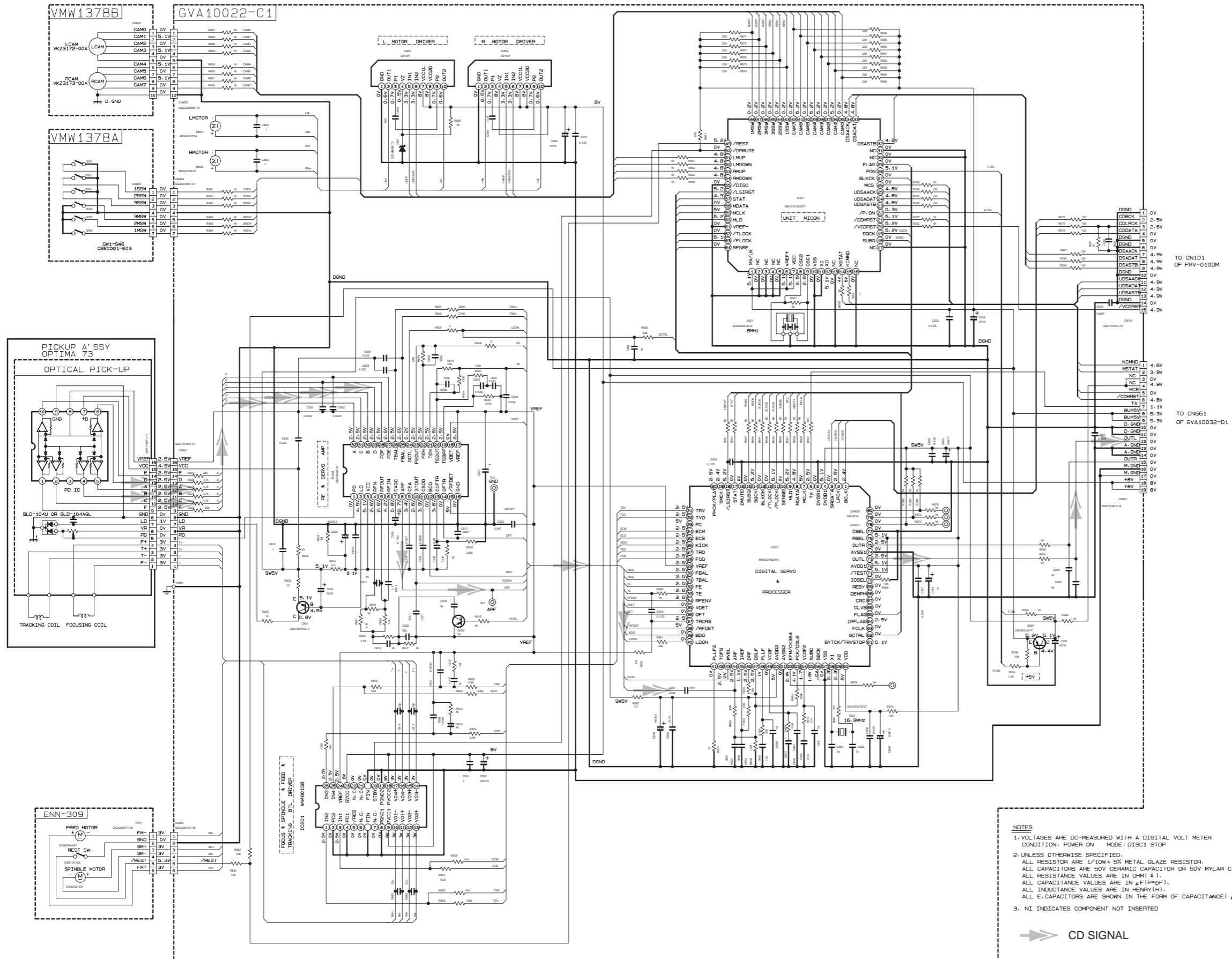


MARK	HX-Z9V		HX-Z9	REMARK
	UN-US	UX	UM	
REF NO.				
R909	18K	18K	18K	VER. SETTING FOR KEY1
R950	75K	75K	18K	VER. SETTING FOR KEY2
R929	330K	75K	330K	VER. SETTING FOR KEY3
R874-R875	USE	USE	NONE	FOR ECH01 & ECH02
CN860	QGF1210G1-23	QGF1210G1-23	QGF1210G1-21	2P EXTRA FOR ECH01 & ECH02

NOTE 1: CN860 ONLY USE FOR FLASH MICOM
 2: R988(10K) USE FOR FLASH MICOM AND FOR MASK ROM REPLACE BY BUS WIRE

NOTES
 1. VOLTAGES ARE DC-MEASURED WITH A DIGITAL VOLT METER OR OSCILLOSCOPE WITHOUT INPUT SIGNAL.
 CONDITION --- AUX MODE VOL MDN BASS OFF
 2. UNLESS OTHERWISE SPECIFIED
 RESISTORS ARE 1/4W ±5% CARBON RESISTOR.
 ALL RESISTANCE VALUES ARE IN OHM Ω.
 ALL CAPACITORS ARE CERAMIC CAPACITOR OR WUPIN CAPACITOR.
 ALL CAPACITANCE VALUES ARE IN #100P±1.
 ALL INDUCTANCE VALUES ARE IN MH±10%.
 ALL E-CAPACITORS ARE SHOWN IN THE FORM OF CAPACITANCE (#1)/RATED VOLTAGE (V).
 ALL DIODES ARE 1SS119-041-T2
 ALL TACT SWITCH ARE 0806074-0012

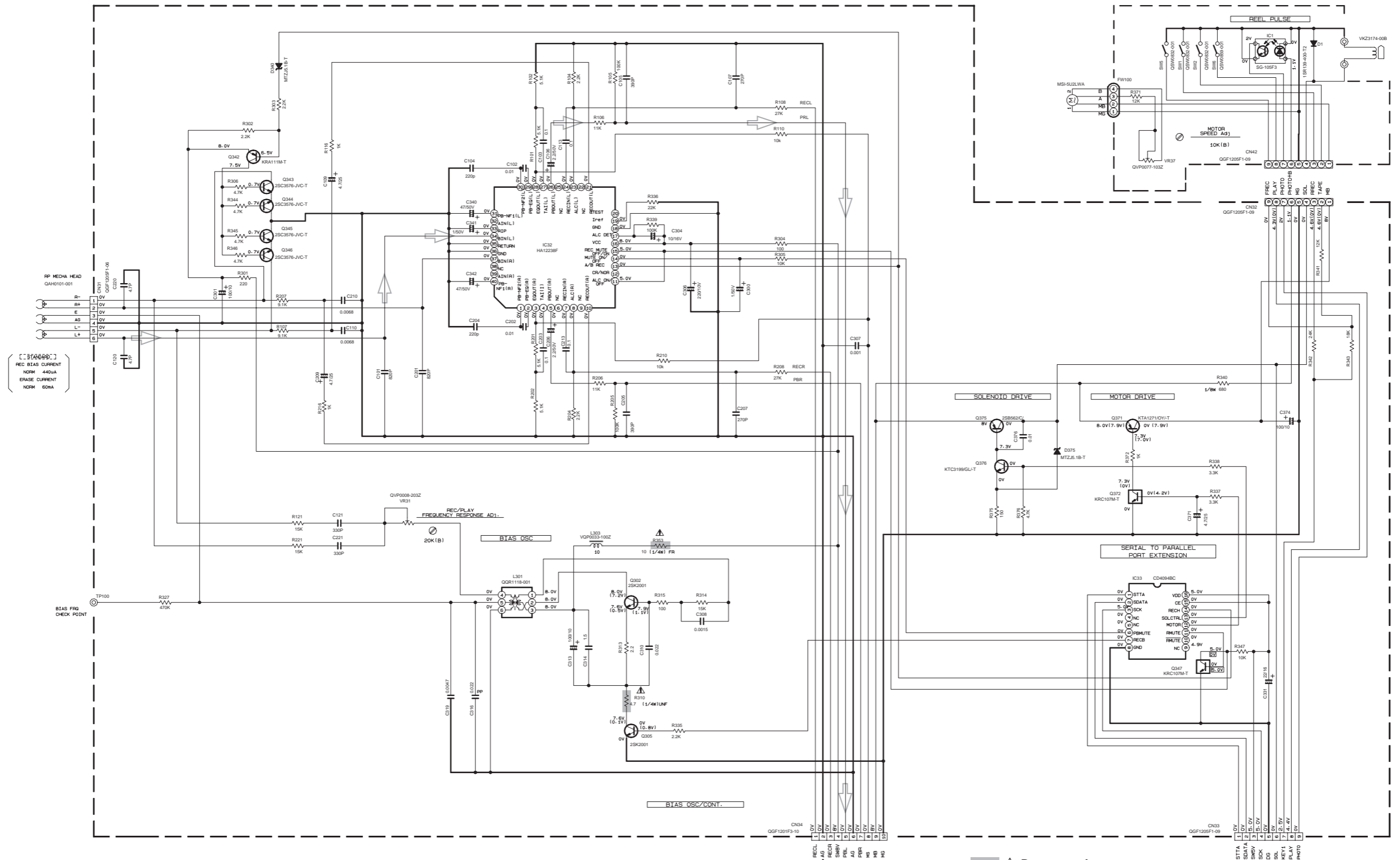
■ CD servo control section



- NOTES
1. VOLTAGES ARE DC-MEASURED WITH A DIGITAL VOLT METER
CONDITION: POWER ON MODE/ DISC1 STOP
 2. UNLESS OTHERWISE SPECIFIED:
ALL RESISTORS ARE 1/10W ± 5% METAL GLAZE RESISTOR.
ALL CAPACITORS ARE 50V CERAMIC CAPACITOR OR 50V MYLAR CAPACITOR.
ALL RESISTANCE VALUES ARE IN OHM (Ω).
ALL CAPACITANCE VALUES ARE IN μF (P+P).
ALL INDUCTANCE VALUES ARE IN HENRY (H).
ALL E-CAPACITORS ARE SHOWN IN THE FORM OF CAPACITANCE (μF)/RATED VOLTAGE (V).
 3. NI INDICATES COMPONENT NOT INSERTED

➔ CD SIGNAL

■ Cassette section



NOTES

1. VOLTAGES ARE DC-MEASURED WITH A DIGITAL VOLT METER OR OSCILLOSCOPE WITHOUT INPUT SIGNAL. CONDITION : MECHA STOP MODE.

2. UNLESS OTHERWISE SPECIFIED, RESISTORS ARE 1/10W ±5% METAL GLAZE RESISTOR. ALL RESISTANCE VALUES ARE IN Ω(MH). ALL CAPACITORS ARE CERAMIC CAPACITOR OR MYLAR CAPACITOR. ALL CAPACITANCE VALUES ARE IN #F(P=pF). ALL INDUCTANCE VALUES ARE IN #H(m=mH). ALL E-CAPACITORS ARE SHOWN IN THE FORM OF CAPACITANCE (#F)/RATED VOLTAGE (V). ▬ POLYPROPYLENE CAPACITOR

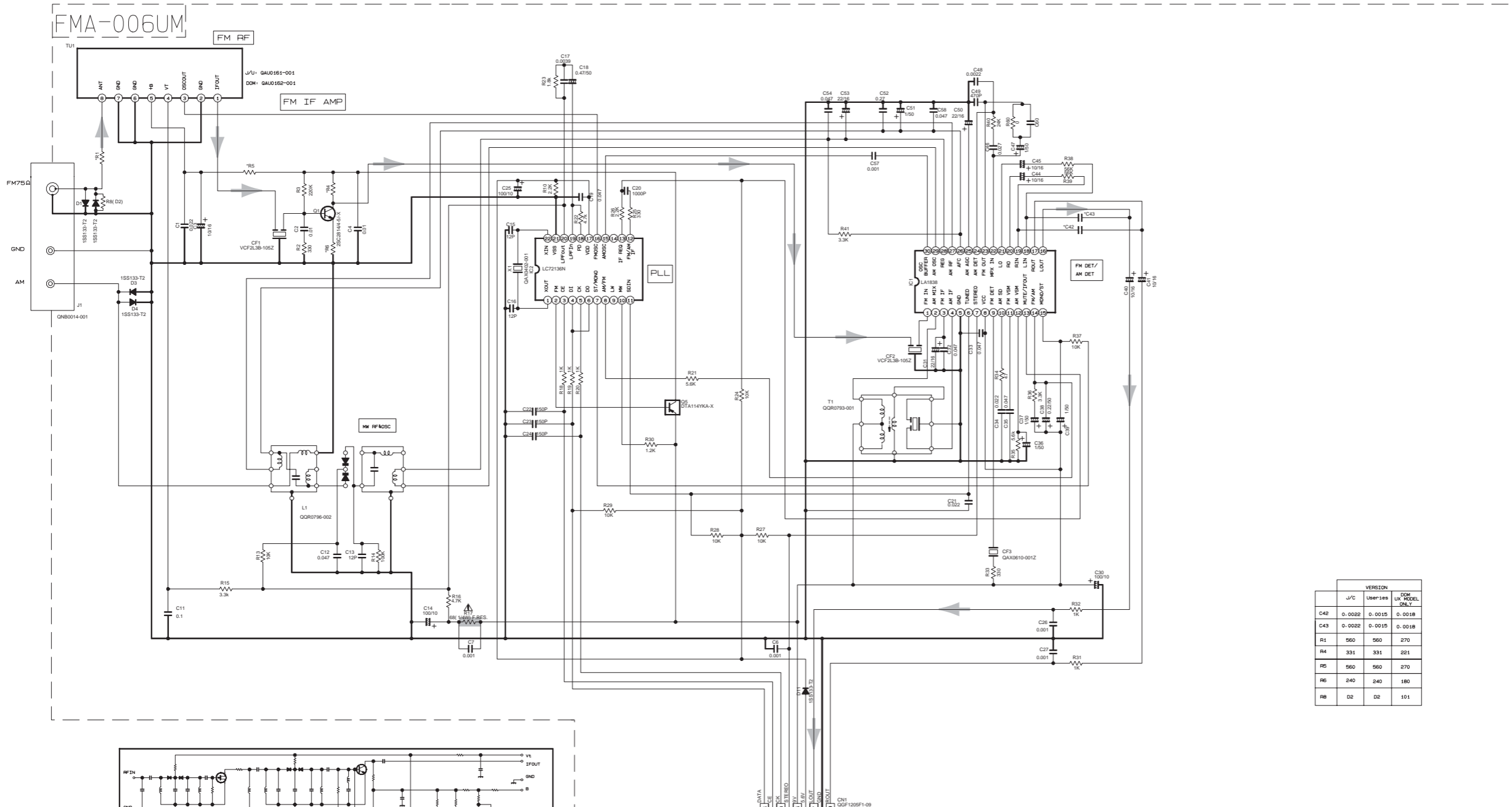
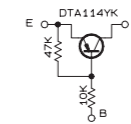
⚠ Parts are safety assurance parts. When replacing those parts make sure to use the specified one.

➡ CASSETTE SIGNAL

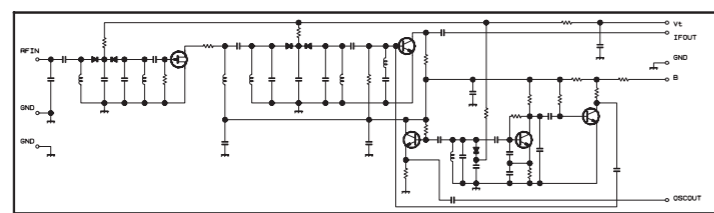
Tuner section

- NOTES
1. VOLTAGES ARE DC-MEASURED WITH A DIGITAL VOLT METER.
 2. ALL RESISTORS ARE 1/8W ±5% METAL GLAZE RESISTOR.
 3. ALL RESISTANCE VALUES ARE IN OHM(Ω).
 4. ALL CAPACITANCE VALUES ARE IN nF(pF).
 5. ALL E-CAPACITORS ARE SHOWN IN THE FORM OF CAPACITANCE (nF)/RATED VOLTAGE (V).
 6. SI DIODES (D) ARE ALL 1SS133-T THAT CAN BE CHANGED TO SIMILAR DIODE SUCH AS MA165 OR HSS104J.
 7. PARTS NO. OF TRANSISTORS ARE AS FOLLOWS.
 Q1 2SC2B14/4-5/-X Q2-Q3 2SC2412K/R/-X
 Q4-Q5 DTA114YKA-X

B. INSIDE OF DIGITAL TRANSISTORS ARE SHOWN AS FOLLOWS:



	VERSION		
	J/C	UM#149	CG# 149 MODEL 026.Y
C42	0.0022	0.0015	0.0018
C43	0.0022	0.0015	0.0018
R1	560	560	270
R4	331	331	221
R5	560	560	270
R6	240	240	180
R8	02	02	101



CONDITION	PIN NO.	1	2	3	4	5	6	7	8	9	10	11	12	13	14	15	16	17	18	19	20	21	22	23	24	25	26	27	28	29	30
IC1	FM NO SIGNAL	3.6	8.9	3.6	3.6	0	5.0	5.0	8.9	8.9	1.3	0.1	0	0.9	7.8	7.8	4.3	4.3	4.3	4.3	3.4	3.4	2.8	3.4	0	0	3.5	3.5	3.6	3.6	2.7
	FM 60dB STEREO	3.6	8.9	3.6	3.6	0	5.0	5.0	8.9	8.9	1.3	4.3	0	0.9	7.8	7.8	4.3	4.3	4.3	4.3	3.4	3.4	2.8	3.4	0	0	3.6	3.6	3.6	3.6	2.7
	AM NO SIGNAL	3.5	9.0	3.5	3.5	0	5.0	5.1	9.0	2.6	1.3	0	0	0.9	4.7	5.5	4.3	4.3	4.3	3.3	3.2	2.8	ust	0.7	0.7	3.6	3.6	3.6	3.6	2.1	
IC2	FM NO SIGNAL	2.5	0	0	5.0	4.9	5.0	7.9	7.8	3.6	6.1	5.1	0	0	0	0	2.5	5.1	0.9	0.9	3.8	0	2.3								

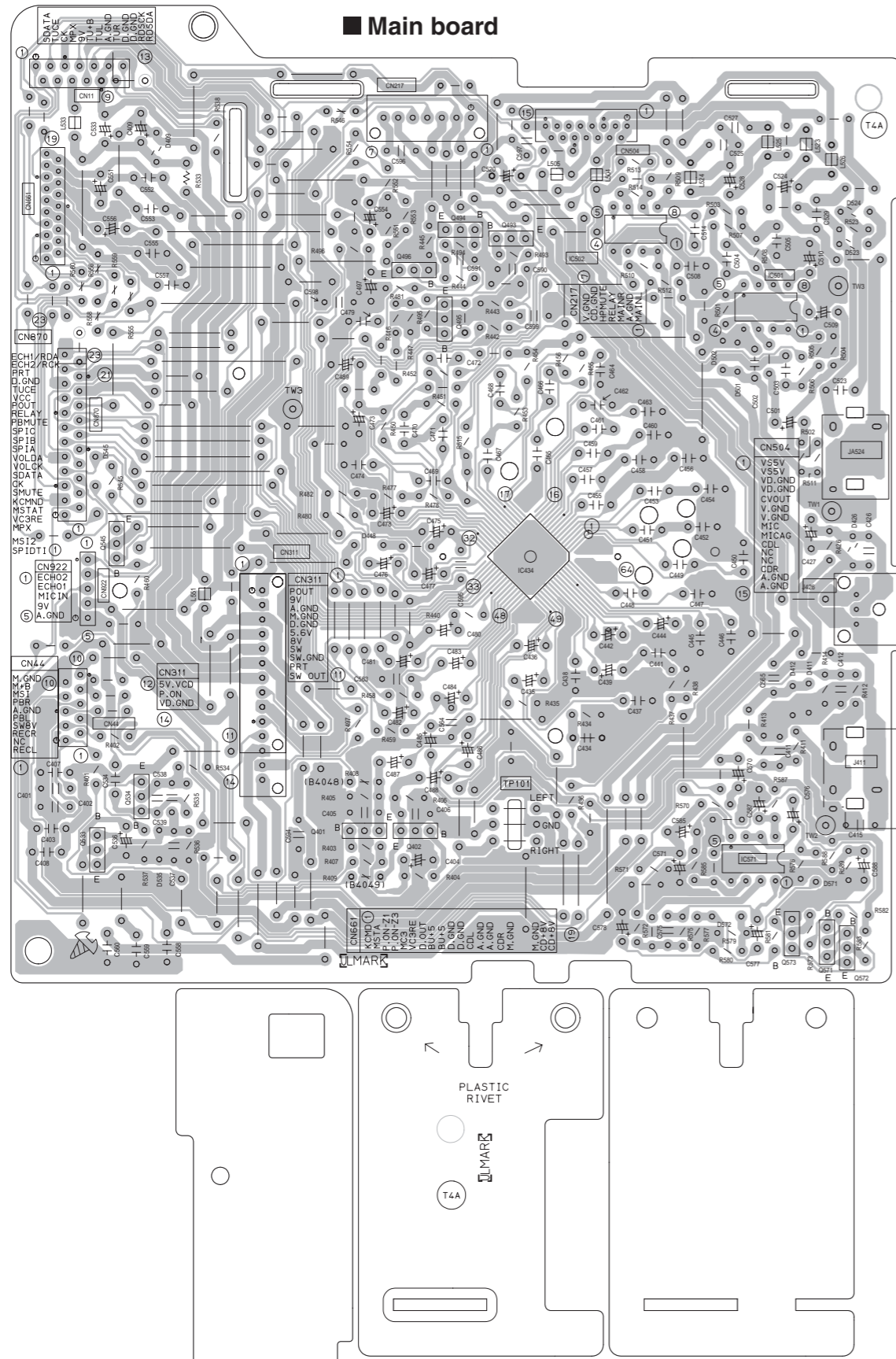
Tr. NO.	Q1				Q5							
PIN NO.	E	C	B	E	C	B						
FM 87.5MHz NO SIGNAL	0	7.1	0.85	8.9	8.8	0						
AM 522kHz NO SIGNAL	0	0	0	9.0	0	8.9						
Tr. NO.	Q2				Q3				Q4			
PIN NO.	E	C	B	E	C	B	E	C	B	E	C	B
AM 522kHz NO SIGNAL	0	0	0.7	0	0.7	0	0	0.7	0	3.6	3.6	3.6
AM 144kHz NO SIGNAL	0	0	0.3	0	0.3	0.3	3.6	3.6	3.6			

▲ Parts are safety assurance parts. When replacing those parts make sure to use the specified one.

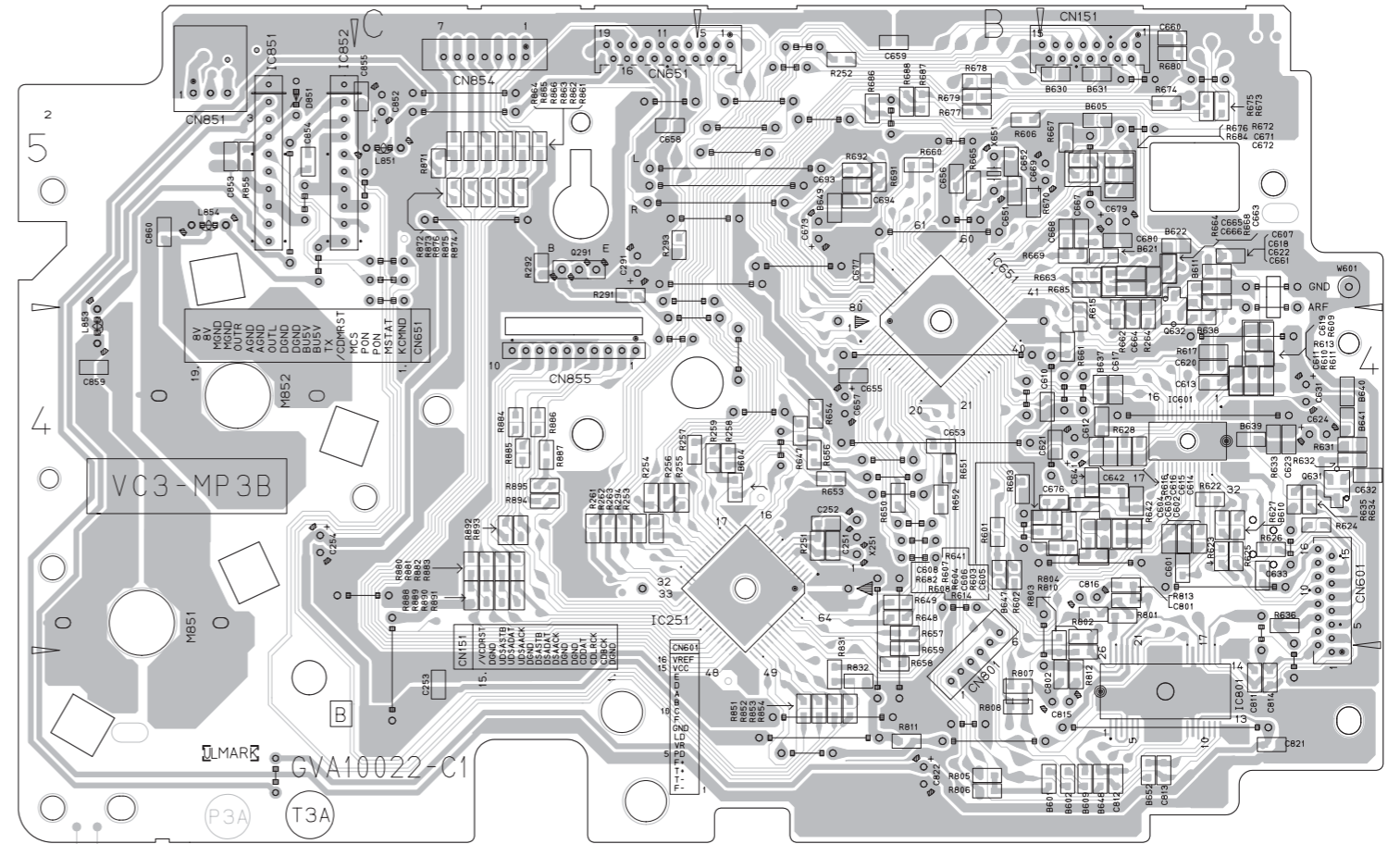
➔ TUNER SIGNAL

Printed circuit boards

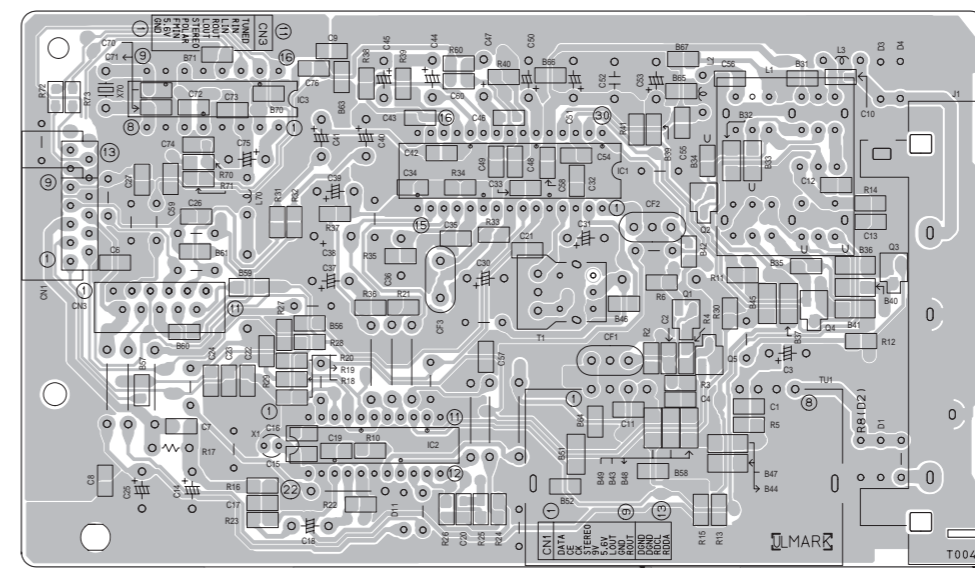
■ Main board



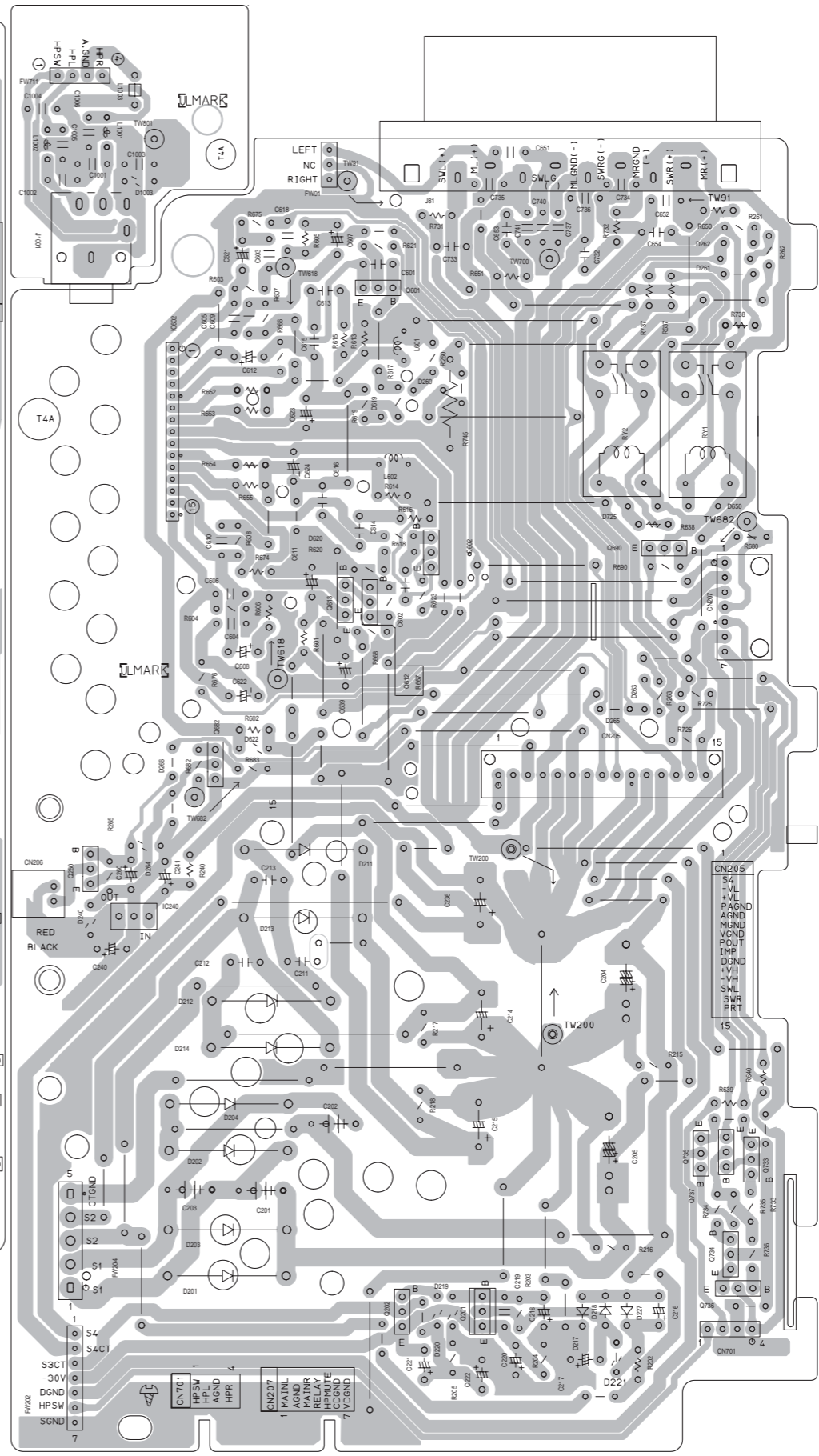
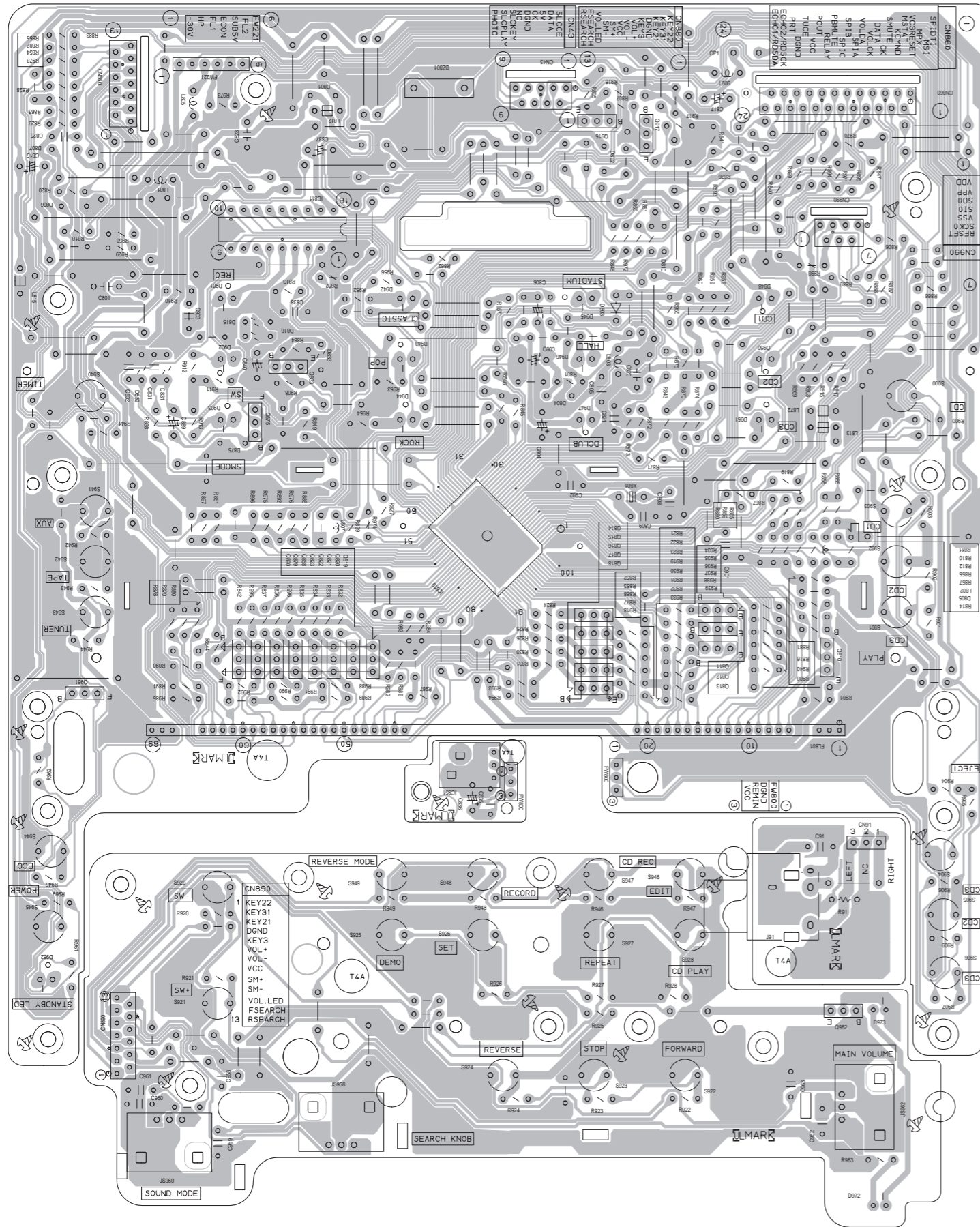
■ CD board



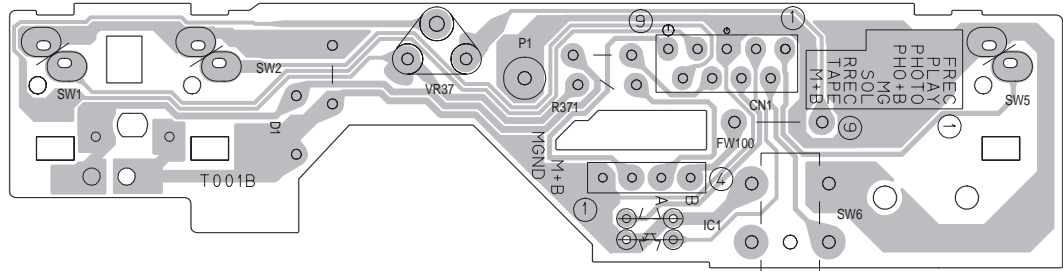
■ Tuner board



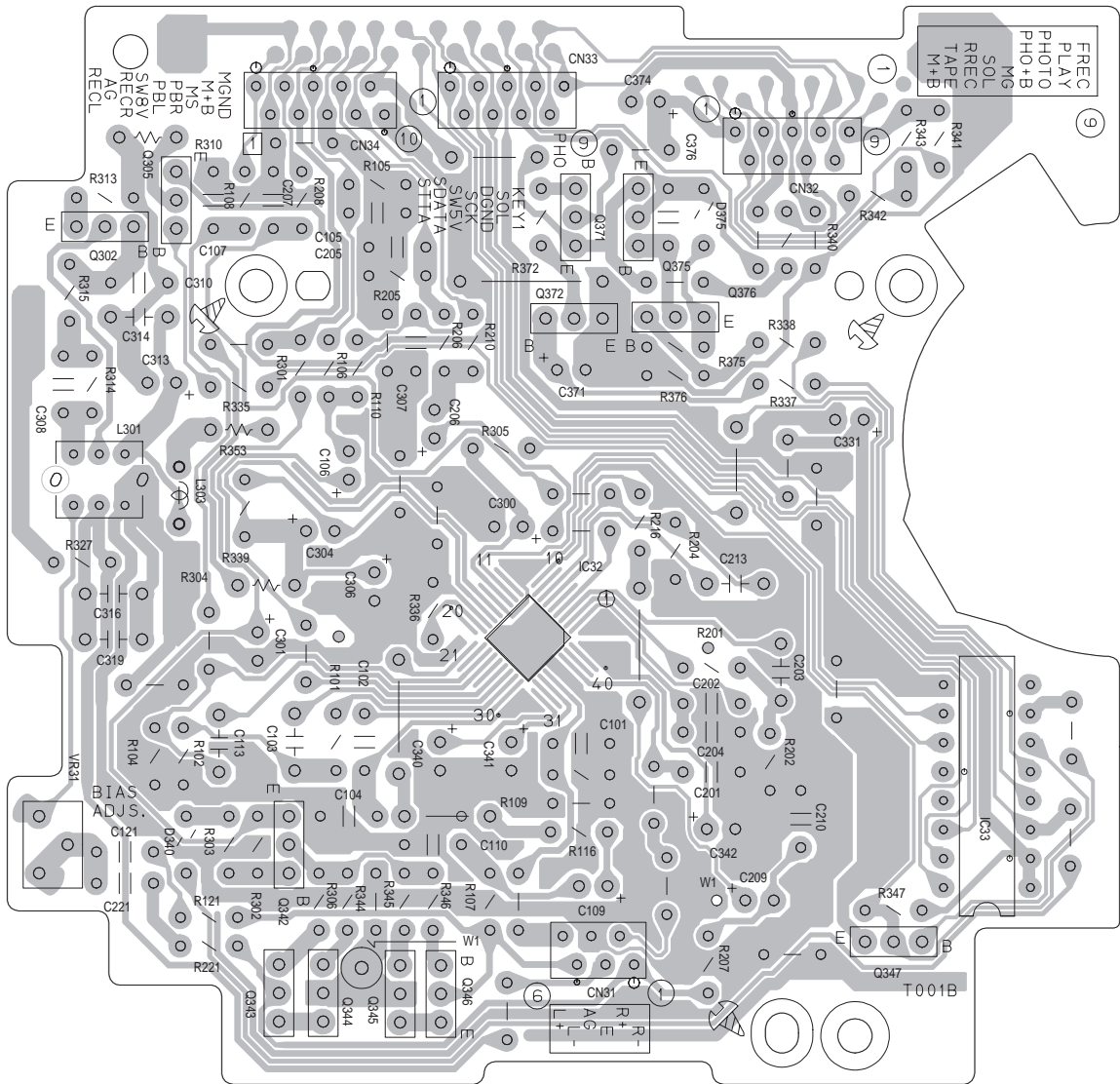
■ Micon board



■ **Cassette mecha (switch) board**



■ **Cassette mecha board**




JVC

VICTOR COMPANY OF JAPAN, LIMITED

AV & MULTIMEDIA COMPANY AUDIO/VIDEO SYSTEMS CATEGORY 10-1,1chome,Ohwatari-machi,Maebashi-city,371-8543,Japan

(No.22066SCH)

 Printed in Japan
WPC

PARTS LIST

[HX-Z9]

* All printed circuit boards and its assemblies are not available as service parts.

Area suffix

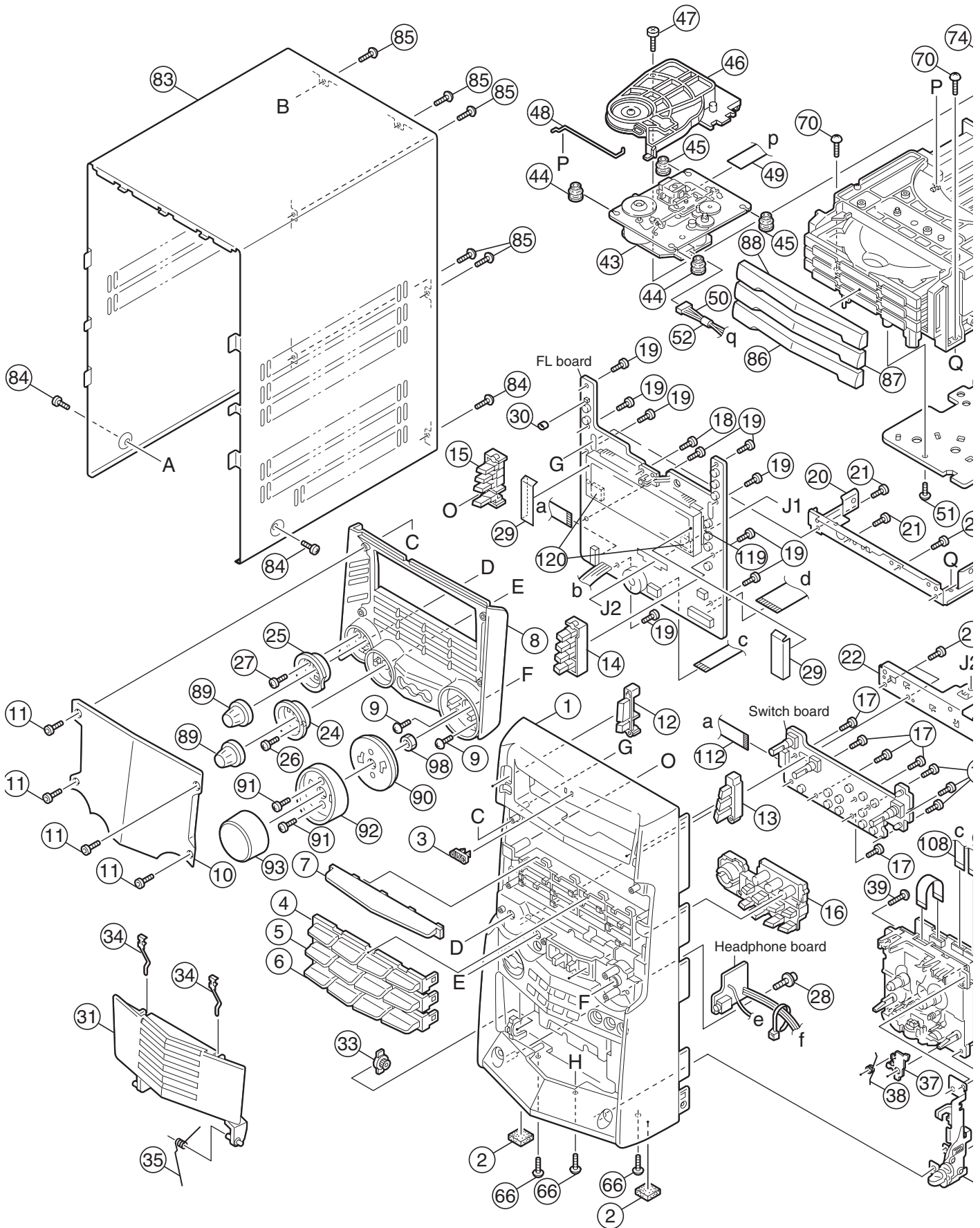
UW ----- Brazil, Mexico, Peru

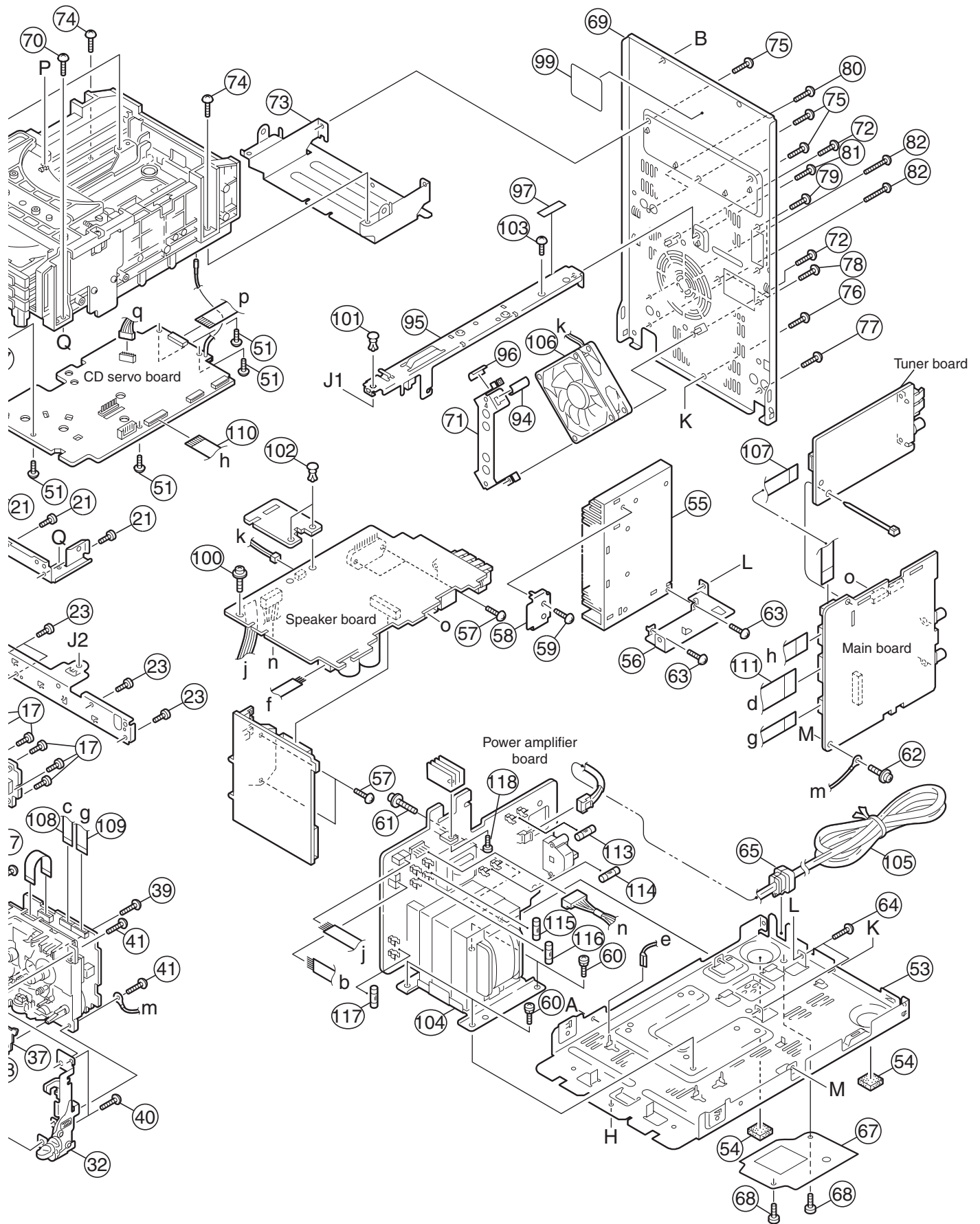
- Contents -

Exploded view of general assembly and parts list (Block No.M1)	3- 2
Speaker assembly and parts list (Main) (Block No.M2)	3- 5
Speaker assembly and parts list (Surround) (Block No.M6)	3- 6
Speaker assembly and parts list (Subwoofer) (Block No.M7)	3- 7
CD changer mechanism assembly and parts list (Block No.MA)	3- 8
Cassette mechanism assembly and parts list (Block No.MP)	3-10
Electrical parts list (Block No.01~08)	3-12
Packing materials and accessories parts list (Block No.M3)	3-22

Exploded view of general assembly and parts list

Block No. **M 1 M M**





General assembly

Block No. [M][1][M][M]

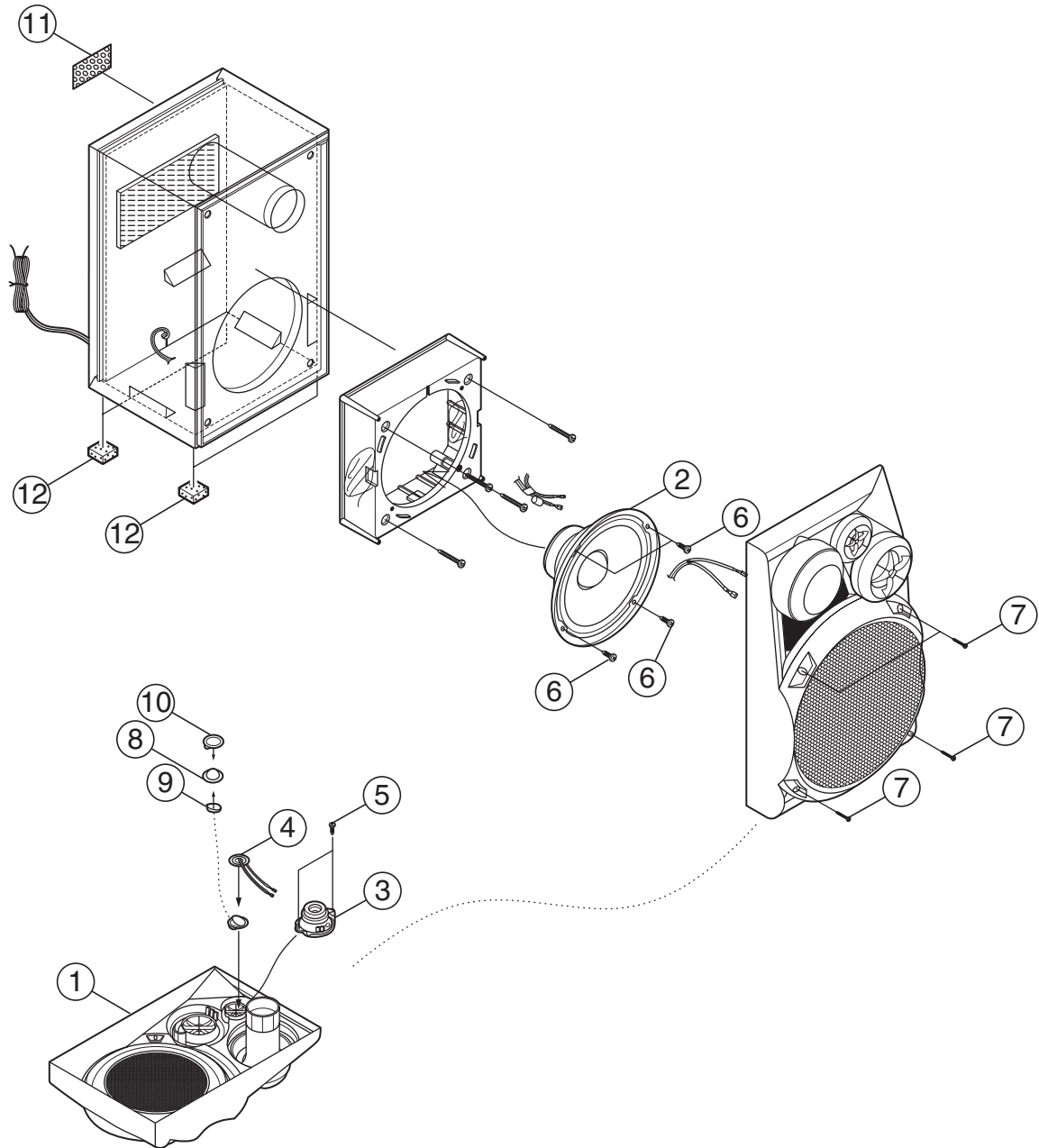
△ Symbol No.	Part No.	Part Name	Description	Local
1	GV10115-008A	FRONT PANEL		
2	GV40313-001A	FELT SPACER	(x2)	
3	GV40077-002A	JVC BADGE		
4	GV30293-003A	FUNCTION LENS A		
5	GV30294-002A	FUNCTION LENS B		
6	GV30295-002A	FUNCTION LENS C		
7	GV30296-001A	FL LENS		
8	GV10114-004A	WINDOW FRAME		
9	QYSDSF2608Z	SCREW	2.6mm x 8mm(x2)	
10	GV20171-007A	WINDOW SCREEN		
11	LV40744-001A	SOCKET BOLT	(x4)	
12	GV30309-004A	POWER BTTN.ASSY		
13	GV30288-001A	CD EJECT BTTN.		
14	GV30290-002A	CD BUTTON		
15	GV30289-002A	FUNCTION BUTTON		
16	GV20169-001A	CONTROL BUTTON		
17	QYSDSF2608Z	SCREW	2.6mm x 8mm(x8)	
18	QYSDSF2608Z	SCREW	2.6mm x 8mm	
19	QYSDSF2608Z	SCREW	2.6mm x 8mm(x9)	
20	GV30082-002A	STAY BRACKET		
21	QYSDSF2608Z	SCREW	2.6mm x 8mm(x4)	
22	GV30301-001A	SUPPORT BRACKET		
23	QYSDSF2608Z	SCREW	2.6mm x 8mm(x4)	
24	GV30303-001A	PRESET RING		
25	GV30302-001A	SOUND MODE RING		
26	QYSDSF2608Z	SCREW	2.6mm x 8mm	
27	QYSDSF2608Z	SCREW	2.6mm x 8mm	
28	E65923-003	TAPPING SCREW		
29	GV40342-001A	FL SHEET	(x2)	
30	GV40343-001A	VINYL TUBE		
31	GV30315-001A	CASS.HOLD.ASSY.		
32	GV30311-002A	EJECT SYS.ASSY.		
33	GV40034-001A	DAMPER ASSY.		
34	VKY4180-401	CASSETTE SPRING	(x2)	
35	GV40317-001A	HOLDER SPRING		
37	VKL7850-002	EJECT SAFTY(R)		
38	VKW5258-003	TORSION SPRING		
39	QYSBSF3012Z	TAP SCREW	3mm x 12mm(x2)	
40	QYSBSF3010Z	TAP SCREW	3mm x 10mm(x2)	
41	QYSBSG3010Z	TAPPING SCREW	3mm x 10mm(x2)	
43	KSM-213CCMJ	CD MECHA ASSY		
44	LV42763-001A	INSULATOR	(x2)	
45	LV42763-002A	INSULATOR	(x2)	
46	VKS3703-00R	CLAMPER ASSY		
47	QYSPST2606Z	SCREW	2.6mm x 6mm	
48	VKW5187-001	ROD		
49	QUQ110-1609AJ	CARD WIRE		
50	VDM1001-M002AV	WIRE&TUBE		
51	QYSBSF2608Z	TAP SCREW	2.6mm x 8mm(x4)	
52	VYSA1R2-033	SPECER		
53	GV10111-002A	CHASSIS BASE		
54	GV40313-002A	FELT SPACER	(x2)	
55	GV30279-002A	HEAT SINK		
56	GV30281-001A	BASE BRACKET		
57	QYSBSG3014E	TAPPING SCREW	3mm x 14mm(x4)	
58	GV40297-002A	LEAF SPRING		
59	QYSBSG3014E	TAPPING SCREW	3mm x 14mm	
60	QYSDSTL4008Z	ASSY SCREW	4mm x 8mm(x4)	
61	QYSBSFG3016Z	SCREW	3mm x 16mm	
62	QYSBSGG3008E	TAPPING SCREW	3mm x 8mm	
63	QYSBSG3014E	TAPPING SCREW	3mm x 14mm(x2)	
64	QYSBSG3008E	TAP SCREW	3mm x 8mm(x2)	
△ 65	QZW0033-001	STRAIN RELIEF		
66	QYSBSGY3008E	SPECIAL SCREW	3mm x 8mm(x3)	
67	GV40222-001A	BOTTOM SHEET		
68	QYSBSG3008E	TAP SCREW	3mm x 8mm(x2)	
69	GV10112-015A	REAR PANEL		
70	QYSBSG3010Z	TAPPING SCREW	3mm x 10mm(x2)	
71	GV30278-001A	FAN BRACKET		
72	QYSBSGY3008E	SPECIAL SCREW	3mm x 8mm(x2)	
73	GV30277-001A	REAR BRACKET		
74	QYSBSG3010Z	TAPPING SCREW	3mm x 10mm(x2)	
75	QYSBSGY3008E	SPECIAL SCREW	3mm x 8mm(x3)	
76	QYSBSGY3008E	SPECIAL SCREW	3mm x 8mm	

△ Symbol No.	Part No.	Part Name	Description	Local
77	QYSBSGY3008E	SPECIAL SCREW	3mm x 8mm	
78	QYSBSGY3008E	SPECIAL SCREW	3mm x 8mm(x2)	
79	QYSBSGY3008E	SPECIAL SCREW	3mm x 8mm(x2)	
80	QYSBSGY3008E	SPECIAL SCREW	3mm x 8mm	
81	QYSBSGY3008E	SPECIAL SCREW	3mm x 8mm	
82	QYSBSF3012E	SPECIAL SCREW	3mm x 12mm(x2)	
83	GV10110-001A/S/	METAL COVER		
84	QYSDSG3006M	TAP SCREW	3mm x 6mm(x3)	
85	QYSBSGY3008E	SPECIAL SCREW	3mm x 8mm(x5)	
86	GV20166-001A	CD FITTING (1)		
87	GV20167-001A	CD FITTING (2)		
88	GV20168-001A	CD FITTING (3)		
89	GV30299-001A	SOUND MODE KNOB (x2)		
90	GV30297-002A	VOLUME LENS		
91	QYSDSF2608Z	SCREW	2.6mm x 8mm(x2)	
92	GV30262-003A	VOLUME ORNAMENT		
93	GV30260-003A	VOLUME KNOB		
94	GV40121-006A	SPECER		
95	GV30286-001A	INNER BAR		
96	GV40121-004A	SPECER		
97	LV30225-079A	SPECER		
98	GV40186-001A	NUT		
99	E406507-001	MECHA C. LABEL		
100	QYSBSGG3008E	TAPPING SCREW	3mm x 8mm	
101	E310243-002	PLASTIC RIVET		
102	E310243-002	PLASTIC RIVET	(x2)	
103	QYSBSGY3008E	SPECIAL SCREW	3mm x 8mm	
△ 104	QQT0392-001	POWER TRANSF	T 001	
△ 105	QMPK200-200-JD	POWER CORD(EU)	2m BLACK	
106	QAR0246-001	FAN		
107	QUQH12-0907BJ	CARD WIRE		
108	QUQH12-0908BJ	CARD WIRE		
109	QUQH12-1020BJ	CARD WIRE		
110	QUQH10-1918AJ	CARD WIRE		
111	QUQH12-2120BJ	CARD WIRE		
112	QUQH12-1309BJ	CARD WIRE		
△ 113	QMF51W2-4R0-J8	FUSE	F 001 4A AC250V	
△ 114	QMF51W2-2R5-J8	FUSE	F 003 2.5A AC250V	
△ 115	QMF51W2-6R3-J8	FUSE	F 101 6.3A AC250V	
△ 116	QMF51W2-6R3-J8	FUSE	F 102 6.3A AC250V	
△ 117	QMF51W2-2R5-J8	FUSE	F 103 2.5A AC250V	
118	QYSBSGY3008E	SPECIAL SCREW	3mm x 8mm	
119	GV30280-001A	FL HOLDER		
120	E3400-439	SPECER	(x2)	

Speaker assembly and parts list

Block No. M 2 M M

(Main)



Main speaker

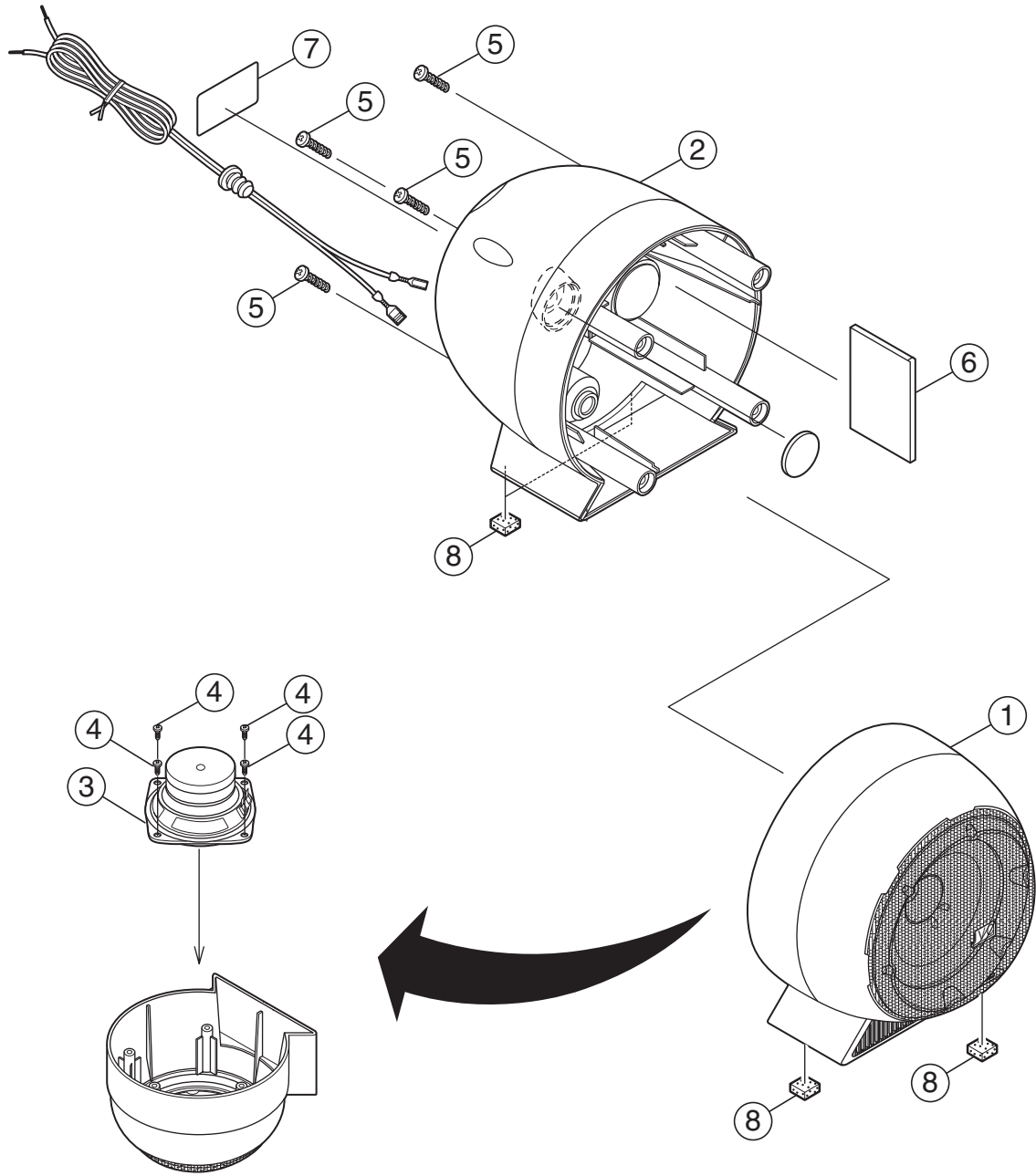
Block No. M2MM

△ Symbol No.	Part No.	Part Name	Description	Local	△ Symbol No.	Part No.	Part Name	Description	Local
1	J200-XZ7VL0G-40	FRONT PANEL ASSY(L)			6	411-B840120P1	SCREW	(x8)	
1	J200-XZ7VR0G-40	FRONT PANEL ASSY(R)			7	411-N54020AB1	SCREW	(x8)	
2	300-J0XZ9V1600	WOOFER	(x2)		8	435-120304-00	PIEZO CAP	(x2)	
3	302-J0G7500500	TWEETER	(x2)		9	436-T00270-00	D. SIDE TAPE	(x2)	
4	348-201007-10	PIEZO ASSY	(x2)		10	436-T25300-00	DOUBLE SIDE TAP	(x2)	
5	411-B140080P1	SCREW	(x4)		11	600-L0Z9VU-00	SPEC LABEL(L)		
					11	600-R0Z9VU-00	SPEC LABEL(R)		
					12	441-802104-00	LEG CUSHION	(x8)	

Speaker assembly and parts list

Block No. [M][6][M][M]

(Surround)



Surround speaker

Block No. [M][6][M][M]

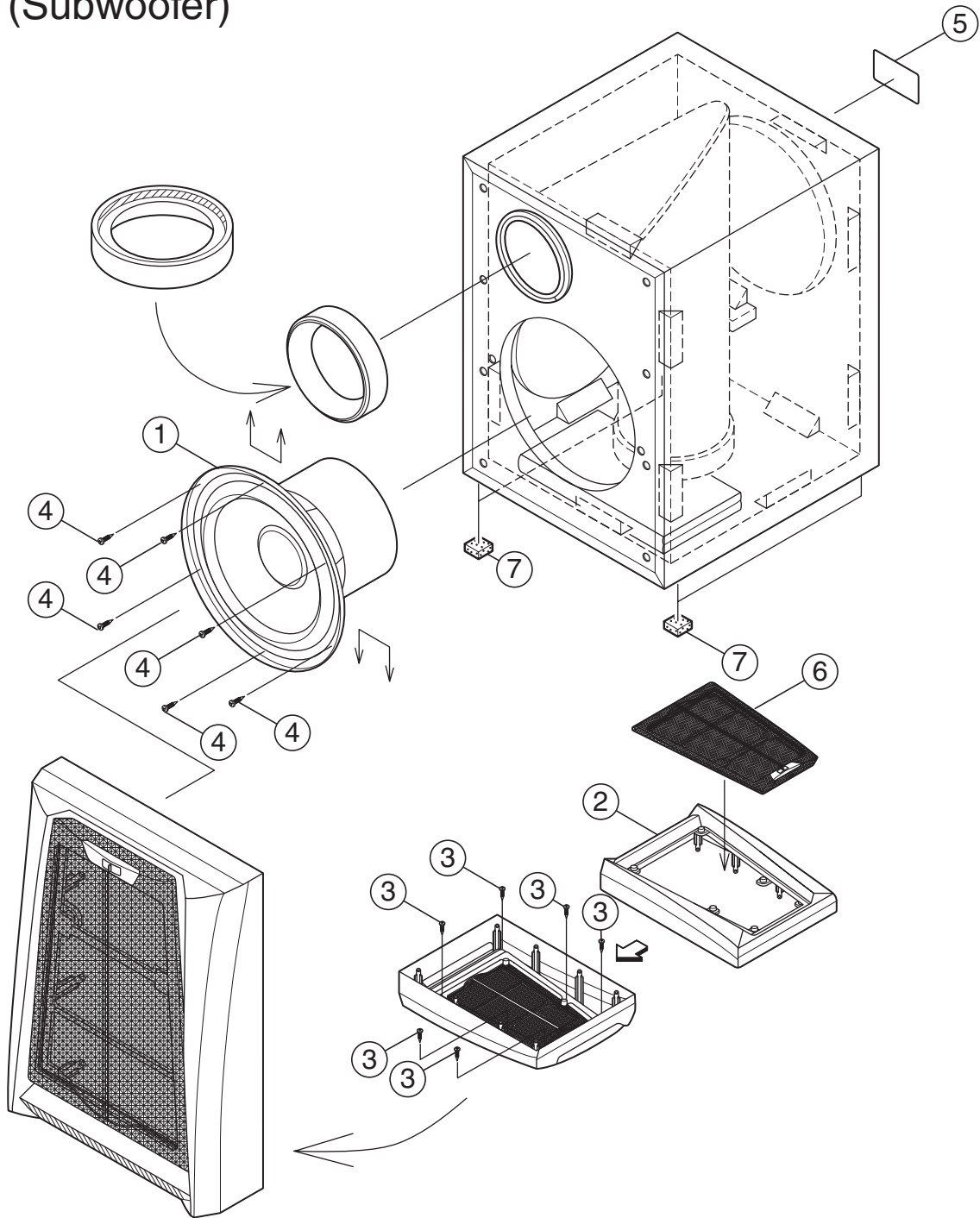
Symbol No.	Part No.	Part Name	Description	Local
1	J227HXZ9V00G40	FRONT CASE ASSY	(x2)	
2	J227HXZ9V01G10	BACK CASE ASSY	(x2)	
3	305-080006-00	FULLRANGE-REAR	(x2)	
4	411-B140080P1	SCREW	(x8)	
5	411-B840140B1	SCREW	(x8)	

Symbol No.	Part No.	Part Name	Description	Local
6	443-910503-00	SOUND ABSORBER	(x2)	
7	600-00XSZ9-00	SPEC LABEL	(x2)	
8	411-915102-00	LEG CUSHION	(x8)	

Speaker assembly and parts list

(Subwoofer)

Block No. M 7 M M



Subwoofer

Block No. M7MM

Symbol No.	Part No.	Part Name	Description	Local
1	300-J0XZ9U2000	SUBWOOFER		
2	J200-XZ9V00G-10	FRONT PANEL ASSY		
3	411-B140100P1	SCREW	(x6)	
4	411-B84020AB1	SCREW	(x6)	
5	600-00XZ9U-00	SPEC LABEL		
6	J201-XZ9V00B-10	CLOTH FRAME ASSY		
7	441-803102-00	LEG CUSHION	(x4)	

CD changer mechanism assembly and parts list

C3BASE-2M

Block No. M A M M

Grease ★ = EM-30L
● = EBS0006-009B
▲ = FL-7750E

FIG B

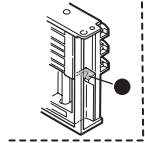


FIG C

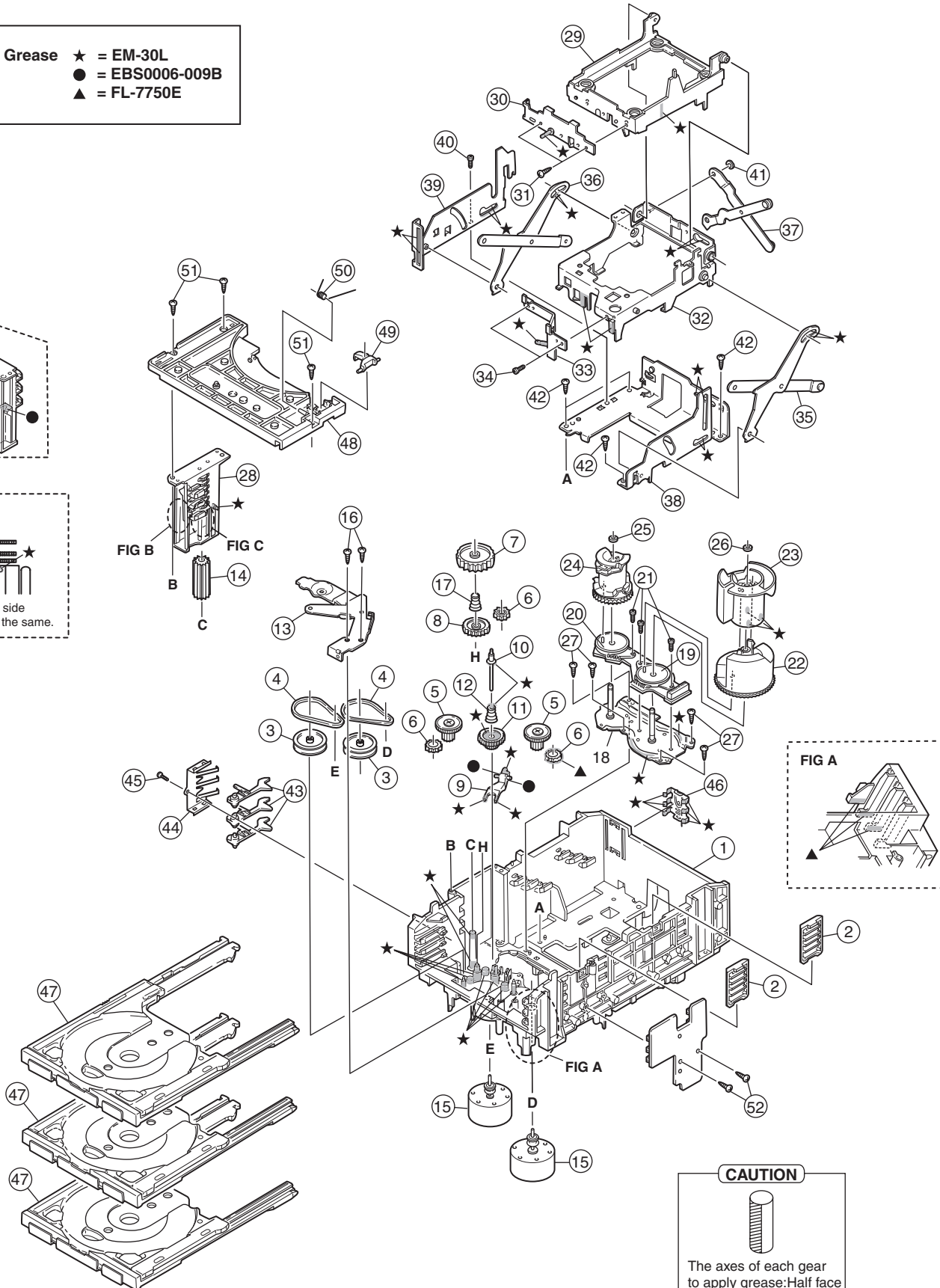
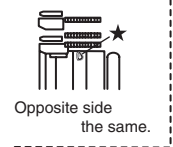
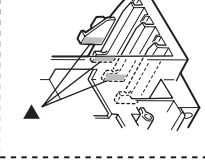


FIG A



CAUTION



The axes of each gear to apply grease: Half face

CD changer mechanism

Block No. [M][A][M][M]

△ Symbol No.	Part No.	Part Name	Description	Local
1	VKS1144-004	CHASSIS		
2	VKS3698-003	TRAY GUIDE	(x2)	
3	VKS5532-003	PULLEY GEAR	(x2)	
4	VKB3000-164	BELT	(x2)	
5	VKS5505-003	GEAR B	(x2)	
6	VKS5506-002	GEAR C	(x3)	
7	VKS5507-002	CROSS GEAR U		
8	VKS5508-002	CROSS GEAR L		
9	VKS5510-003	SELECT LEVER		
10	VKH5769-001	S.G.SHAFT		
11	VKS5511-002	SELECT GEAR		
12	VKW5155-003	COMP.SPRING		
13	VKM3846-003	GEAR BRACKET		
14	VKS5509-002MM	CYLINDER GEAR		
15	MSN-5D257A	D. C MOTOR	(x2)	
16	QYSPSPD2616Z	SCREW	2.6mm x 16mm(x2)	
17	LV40612-001A	COMP.SPRING		
18	VKM3825-00B	C.G.BASE ASSY		
19	VKZ3172-00ASS	CAM SW. R ASSY		
20	VKZ3173-00ASS	CAM SW. R ASSY		
21	QYSPST2606Z	TAP SCREW	2.6mm x 6mm(x3)	
22	VKS2263-002MM	CAM R1		
23	VKS2264-002MM	CAM R2		
24	VKS2265-002MM	CAM GEAR L		
25	WDL316050MM	SLIT WASHER		
26	WDL316050MM	SLIT WASHER		
27	QYSBSF2608Z	TAP SCREW	2.6mm x 8mm(x4)	
28	VKS3702-00FMMVT	DRIVE UNIT		
29	VKS2247-005	MECHA HOLDER A		
30	VKL7767-00D	BRACKET ASSY		
31	QYSBSF2606Z	SCREW	2.6mm x 6mm(x2)	
32	VKM3860-00E	M.HOLDER B AS'Y		
33	VKL7802-00D	M.HOLDER C AS'Y		
34	QYSDST2604Z	SCREW	2.6mm x 4mm(x2)	
35	VKL7810-00B	LIFTER ASSY R		
36	VKL7811-00B	LIFTER ASSY L		
37	VKL7812-00B	LIFTER ASSY H		
38	VKL2745-003	LIFTER BASE		
39	VKM3857-002	LIFTER BRACKET		
40	QYSDST2604Z	SCREW	2.6mm x 4mm	
41	WDL266035-2	SLIT WASHER		
42	QYSBSF2608Z	TAP SCREW	2.6mm x 8mm(x4)	
43	VKS5514-002MM	LOCK LEVER	(x3)	
44	VKY3133-002MM	RETURN SPRING		
45	QYSBSF2608Z	TAP SCREW	2.6mm x 8mm	
46	VKY3134-003MM	CLICK SPRING		
47	VKS2252-00N	TRAY ASSY	(x3)	
48	VKS2250-004	TOP BRACKET		
49	VKS5515-002	S.TRAY STOPPER		
50	VKW5156-004	TORSION SPRING		
51	QYSBSF2608Z	TAP SCREW	2.6mm x 8mm(x3)	
52	QYSBSF2608Z	TAP SCREW	2.6mm x 8mm(x2)	

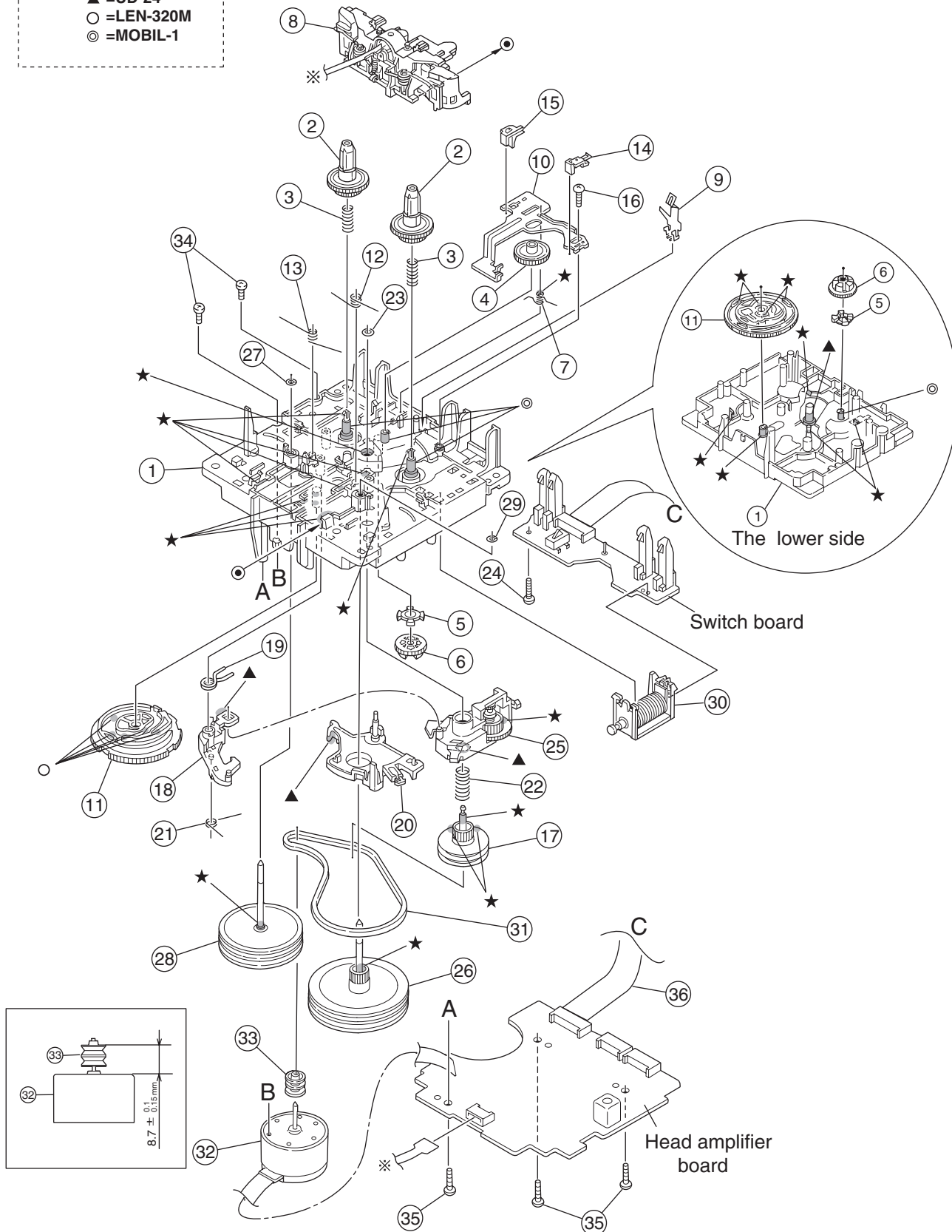
Cassette mechanism assembly and parts list

SLC-S302M

Block No. M P M M

Grease

- ★ =EM-30L
- ▲ =UD-24
- =LEN-320M
- ◎ =MOBIL-1



Cassette mechanism

Block No. [M][P][M][M]

△ Symbol No.	Part No.	Part Name	Description	Local
1	VKS1165-00L	CHASSIS B. ASSY		
2	VKS2274-002	REEL GEAR	(x2)	
3	VKW5286-002	B.T. SPRING	(x2)	
4	VKS5559-001	PLAY IDLE GEAR		
5	VKS5595-002	BLIND		
6	VKS5560-003	FR IDLE GEAR		
7	LV42013-001A	EARTH SPRING		
8	SLC-RP3SVM	HEAD MOUNT ASSY		
9	VKY3149-002	CASSETTE SP.		
10	LV31786-001A	PLAY LEVER		
11	VKS1166-004	CONTROL CAM		
12	VKW5279-002	HEAD BASE SP(R)		
13	VKW5280-001	HEAD BASE SP(L)		
14	LV41584-001A	BRAKE(R)		
15	LV41585-003A	BRAKE(L)		
16	QYSBSF2005Z	SCREW	2mm x 5mm	
17	VKS5603-00G	MAIN PULLEY ASS		
18	VKS3785-001MM	FR ARM		
19	VKW5284-002	SWING SPRING		
20	VKS2278-003	TRIGGER ARM		
21	VKW5301-001	FR SPRING		
22	VKW5266-001	ELEVATOR SPRING		
23	WDL214025	WASHER		
24	QYSBSF2005Z	SCREW	2mm x 5mm	
25	VKS3786-00G	CLUTCH ASSY		
26	VKF3205-00B	F.WHEEL ASSY(R)		
27	WDL183425	SLIT WASHER		
28	VKF3207-00C	F.WHEEL ASSY(L)		
29	WDL173525-6	SLIT WASHER		
30	VKZ3174-00B	DC SOLENOID		
31	LV42836-001A	CAPSTAN BELT		
32	MSI-5U2LWA	D.C.MOTOR		
33	VKR4761-003	MOTOR PULLEY		
34	QYSPSP2604Z	SCREW	2.6mm x 4mm(x2)	
35	QYSBSF2608Z	TAPPING SCREW	2.6mm x 8mm(x3)	
36	QUQH12-0906BF	WIRE		

Electrical parts list

Power board

Block No. [0][1][0][0]

Symbol No.	Part No.	Part Name	Description	Local	Symbol No.	Part No.	Part Name	Description	Local
△ IC303	KIA7808API	IC	Regulator		R250	QRE141J-332Y	C RESISTOR	3.3kΩ 1/4W J	
△ IC305	KIA7809API	IC	Regulator		R251	QRE141J-822Y	C RESISTOR	8.2kΩ 1/4W J	
△ IC360	KIA7805API	IC	Regulator		△ R252	QRZ9042-2R2X	F RESISTOR	2.2Ω	
△ IC701	STK412-410	POWER I.C			R253	QRE141J-681Y	C RESISTOR	680Ω 1/4W J	
Q250	2SC2785/FE/-T	TRANSISTOR			R254	QRE141J-103Y	C RESISTOR	10kΩ 1/4W J	
Q251	KTC1027/OY/-T	TRANSISTOR			R362	QRE141J-102Y	C RESISTOR	1kΩ 1/4W J	
Q252	2SD1266/P/-	TRANSISTOR			△ R701	QRJ146J-470X	UNF C RESISTOR	47Ω 1/4W J	
Q701	KTA1268/GL/-T	TRANSISTOR			△ R702	QRJ146J-470X	UNF C RESISTOR	47Ω 1/4W J	
Q702	KTA1268/GL/-T	TRANSISTOR			R703	QRE141J-563Y	C RESISTOR	56kΩ 1/4W J	
Q710	KTA1023/OY/-T	TRANSISTOR			R704	QRE141J-563Y	C RESISTOR	56kΩ 1/4W J	
Q711	KTC3200/GL/-T	TRANSISTOR			△ R705	FQRJ143J-821X	UNF C RESISTOR		
Q712	KTA1268/GL/-T	TRANSISTOR			△ R706	FQRJ143J-821X	UNF C RESISTOR		
Q713	KTC1027/OY/-T	TRANSISTOR			R707	QRE141J-563Y	C RESISTOR	56kΩ 1/4W J	
Q726	KTC3200/GL/-T	TRANSISTOR			R708	QRE141J-563Y	C RESISTOR	56kΩ 1/4W J	
Q727	KTA1268/GL/-T	TRANSISTOR			△ R713	QRJ146J-100X	UNF C RESISTOR	10Ω 1/4W J	
Q728	2SC2785/FE/-T	TRANSISTOR			△ R714	QRJ146J-100X	UNF C RESISTOR	10Ω 1/4W J	
△ D233	2A02-M	DIODE			△ R715	FQRJ143J-100X	UNF C RESISTOR		
△ D234	2A02-M	DIODE			△ R716	FQRJ143J-100X	UNF C RESISTOR		
△ D235	2A02-M	DIODE			R717	QRE141J-102Y	C RESISTOR	1kΩ 1/4W J	
△ D236	2A02-M	DIODE			R718	QRE141J-102Y	C RESISTOR	1kΩ 1/4W J	
D250	MTZJ11B-T2	Z DIODE			R719	QRE141J-562Y	C RESISTOR	5.6kΩ 1/4W J	
D252	1N4003S-T5	SI DIODE			R720	QRE141J-562Y	C RESISTOR	5.6kΩ 1/4W J	
D254	1SS119-041-T2	DIODE			R721	QRE141J-103Y	C RESISTOR	10kΩ 1/4W J	
D256	MTZJ6.2C-T2	Z DIODE			R722	QRE141J-103Y	C RESISTOR	10kΩ 1/4W J	
D313	MTZJ10C-T2	Z DIODE			R723	QRE141J-682Y	C RESISTOR	6.8kΩ 1/4W J	
D315	MTZJ11B-T2	Z DIODE			R724	QRE141J-682Y	C RESISTOR	6.8kΩ 1/4W J	
D360	1SS119-041-T2	DIODE			R727	QRE141J-104Y	C RESISTOR	100kΩ 1/4W J	
D362	MTZJ8.2C-T2	Z DIODE			R728	QRE141J-103Y	C RESISTOR	10kΩ 1/4W J	
D703	MTZJ15B-T2	Z DIODE			R729	QRE141J-104Y	C RESISTOR	100kΩ 1/4W J	
D704	MTZJ15B-T2	Z DIODE			R730	QRE141J-103Y	C RESISTOR	10kΩ 1/4W J	
D719	1SS119-041-T2	DIODE			R739	QRE141J-823Y	C RESISTOR	82kΩ 1/4W J	
D720	1SS119-041-T2	DIODE			R740	QRE141J-104Y	C RESISTOR	100kΩ 1/4W J	
D723	MTZJ36B-T2	Z DIODE			R741	QRE141J-682Y	C RESISTOR	6.8kΩ 1/4W J	
D724	MTZJ36B-T2	Z DIODE			R742	QRE141J-682Y	C RESISTOR	6.8kΩ 1/4W J	
D726	1SS119-041-T2	DIODE			R753	QRZ0218-R22	EMIT RESISTOR	0.22Ω	
D728	1SS119-041-T2	DIODE			R754	QRZ0218-R22	EMIT RESISTOR	0.22Ω	
C250	QETN1HM-476Z	E CAPACITOR	47uF 50V M		R761	QRE141J-102Y	C RESISTOR	1kΩ 1/4W J	
C251	QETM1JM-477	E CAPACITOR	470uF 63V M		R762	QRE141J-102Y	C RESISTOR	1kΩ 1/4W J	
△ C252	QCZ9105-472	C CAPACITOR	4700pF 250V M		R766	QRE141J-333Y	C RESISTOR	33kΩ 1/4W J	
C253	QFLC1HJ-472Z	M CAPACITOR	4700pF 50V J		R768	QRE141J-104Y	C RESISTOR	100kΩ 1/4W J	
C254	QFLC1HJ-472Z	M CAPACITOR	4700pF 50V J		R769	QRE141J-222Y	C RESISTOR	2.2kΩ 1/4W J	
C255	QETNOJM-477Z	E CAPACITOR	470uF 6.3V M		△ R774	QRJ146J-100X	UNF C RESISTOR	10Ω 1/4W J	
C257	QETN1HM-476Z	E CAPACITOR	47uF 50V M		R775	QRE141J-102Y	C RESISTOR	1kΩ 1/4W J	
C308	QEKC1HM-106Z	E CAPACITOR	10uF 50V M		R777	QRE141J-103Y	C RESISTOR	10kΩ 1/4W J	
C311	QETN1HM-106Z	E CAPACITOR	10uF 50V M		R778	QRE141J-103Y	C RESISTOR	10kΩ 1/4W J	
C312	QETN1HM-106Z	E CAPACITOR	10uF 50V M		R786	QRE141J-103Y	C RESISTOR	10kΩ 1/4W J	
C362	QETN1HM-106Z	E CAPACITOR	10uF 50V M		R787	QRE141J-103Y	C RESISTOR	10kΩ 1/4W J	
C703	QCBB1HK-471Y	C CAPACITOR	470pF 50V K		L701	QQLZ035-R39	COIL	0.39uH	
C705	QCBB1HK-221Y	C CAPACITOR	220pF 50V K		L702	QQLZ035-R39	COIL	0.39uH	
C706	QCBB1HK-221Y	C CAPACITOR	220pF 50V K		△ T002	QQT0370-011	POWER TRANSF		
C707	QETN1JM-476Z	E CAPACITOR	47uF 63V M		CN212	QGD2504C1-03Z	CONNECTOR	(1-3)	
C708	QETN1JM-476Z	E CAPACITOR	47uF 63V M		CN213	QGD2504C1-04Z	CONNECTOR	(1-4)	
C709	QCSB1HK-4R7Y	C CAPACITOR	4.7pF 50V K		CN214	QGA3901C1-05	CONNECTOR	W-B (1-5)	
C710	QCSB1HK-4R7Y	C CAPACITOR	4.7pF 50V K		CN215	QGB2510K2-15	CONNECTOR	B-B (1-15)	
C711	QFZ0212-104Z	M CAPACITOR	0.1uF		CN231	QGD2504C1-03Z	CONNECTOR	(1-3)	
C712	QFZ0212-104Z	M CAPACITOR	0.1uF		CN232	QGD2504C1-03Z	CONNECTOR	(1-3)	
C713	QFLC1HJ-473Z	M CAPACITOR	0.047uF 50V J		CN250	QGA7901F2-02	CONNECTOR	W-B (1-2)	
C714	QFLC1HJ-473Z	M CAPACITOR	0.047uF 50V J		CN301	QGB2510K2-11	CONNECTOR	B-B (1-11)	
C715	QFLC1HJ-473Z	M CAPACITOR	0.047uF 50V J		FT111	QNG0003-001Z	FUSE CLIP		
C716	QFLC1HJ-473Z	M CAPACITOR	0.047uF 50V J		FT112	QNG0003-001Z	FUSE CLIP		
C721	QTE1C06-476Z	E CAPACITOR	47uF 16V		FT131	QNG0003-001Z	FUSE CLIP		
C722	QTE1C06-476Z	E CAPACITOR	47uF 16V		FT132	QNG0003-001Z	FUSE CLIP		
C723	QETN1AM-107Z	E CAPACITOR	100uF 10V M		FT511	QNG0003-001Z	FUSE CLIP		
C726	QETN1EM-106Z	E CAPACITOR	10uF 25V M		FT512	QNG0003-001Z	FUSE CLIP		
C729	QETN1CM-476Z	E CAPACITOR	47uF 16V M		FT521	QNG0003-001Z	FUSE CLIP		
C730	FQCF31HZ-223Z	D.CAPACITOR			FT522	QNG0003-001Z	FUSE CLIP		
C731	FQCF31HZ-223Z	D.CAPACITOR			FT531	QNG0003-001Z	FUSE CLIP		
C739	QETN1HM-105Z	E CAPACITOR	1uF 50V M		FT532	QNG0003-001Z	FUSE CLIP		
					H500	LV40057-H30B	HEAT SINK		
					△ RY3	QSK0124-001	RELAY		
					△ S500	QSW0812-001	VOLTAGE SWITCH		

Input board

Block No. [0][2][0][0]

Symbol No.	Part No.	Part Name	Description	Local
IC434	BH3874AKS2	VOLUME IC		
IC501	HA17558A	IC	Dual Operational Amp	
IC502	HA17558A	IC	Dual Operational Amp	
IC571	HA17558A	IC	Dual Operational Amp	
Q493	2SC3576-JVC-T	TRANSISTOR		
Q494	2SC3576-JVC-T	TRANSISTOR		
Q495	2SC3576-JVC-T	TRANSISTOR		
Q496	KRA102M-T	DIGI TRANSISTOR		
Q533	2SC2785/FE/-T	TRANSISTOR		
Q534	2SC2785/FE/-T	TRANSISTOR		
Q571	2SC2785/FE/-T	TRANSISTOR		
Q572	2SC2785/FE/-T	TRANSISTOR		
Q573	2SC2785/FE/-T	TRANSISTOR		
D409	MTZJ5.1B-T2	Z DIODE		
D411	1SS119-041-T2	DIODE		
D412	1SS119-041-T2	DIODE		
D448	1SS119-041-T2	DIODE		
D501	1SS119-041-T2	DIODE		
D502	1SS119-041-T2	DIODE		
D535	1SS119-041-T2	DIODE		
D571	1SS119-041-T2	DIODE		
D572	1SS119-041-T2	DIODE		
C401	QCBB1HK-221Y	C CAPACITOR	220pF 50V K	
C402	QCBB1HK-221Y	C CAPACITOR	220pF 50V K	
C403	FQCF31HP-103Z	D.CAPACITOR		
C407	QFLC1HJ-223Z	M CAPACITOR	0.022uF 50V J	
C409	QETN0JM-107Z	E CAPACITOR	100uF 6.3V M	
C415	QDGB1HK-102Y	C CAPACITOR	1000pF 50V K	
C435	QETN1EM-106Z	E CAPACITOR	10uF 25V M	
C436	QETN1EM-106Z	E CAPACITOR	10uF 25V M	
C437	QFLC1HJ-104Z	M CAPACITOR	0.1uF 50V J	
C438	QFLC1HJ-473Z	M CAPACITOR	0.047uF 50V J	
C442	QETN1EM-106Z	E CAPACITOR	10uF 25V M	
C444	QETN1EM-106Z	E CAPACITOR	10uF 25V M	
C445	QFLC1HJ-104Z	M CAPACITOR	0.1uF 50V J	
C446	QFLC1HJ-472Z	M CAPACITOR	4700pF 50V J	
C447	QFVJ1HJ-394Z	MF CAPACITOR	0.39uF 50V J	
C448	QFVJ1HJ-394Z	MF CAPACITOR	0.39uF 50V J	
C449	QFVJ1HJ-394Z	MF CAPACITOR	0.39uF 50V J	
C450	QFVJ1HJ-394Z	MF CAPACITOR	0.39uF 50V J	
C451	QFLC1HJ-823Z	M CAPACITOR	0.082uF 50V J	
C452	QFVJ1HJ-124Z	MF CAPACITOR	0.12uF 50V J	
C453	QFLC1HJ-823Z	M CAPACITOR	0.082uF 50V J	
C454	QFVJ1HJ-124Z	MF CAPACITOR	0.12uF 50V J	
C455	QFLC1HJ-183Z	M CAPACITOR	0.018uF 50V J	
C456	QFLC1HJ-273Z	M CAPACITOR	0.027uF 50V J	
C457	QFLC1HJ-183Z	M CAPACITOR	0.018uF 50V J	
C458	QFLC1HJ-273Z	M CAPACITOR	0.027uF 50V J	
C459	QFLC1HJ-822Z	M CAPACITOR	8200pF 50V J	
C460	QFLC1HJ-123Z	M CAPACITOR	0.012uF 50V J	
C461	QFLC1HJ-822Z	M CAPACITOR	8200pF 50V J	
C462	QFLC1HJ-123Z	M CAPACITOR	0.012uF 50V J	
C463	QFLC1HJ-102Z	M CAPACITOR	1000pF 50V J	
C464	QFLC1HJ-102Z	M CAPACITOR	1000pF 50V J	
C465	QFLC1HJ-473Z	M CAPACITOR	0.047uF 50V J	
C466	QFLC1HJ-473Z	M CAPACITOR	0.047uF 50V J	
C467	QFLC1HJ-473Z	M CAPACITOR	0.047uF 50V J	
C468	QFLC1HJ-473Z	M CAPACITOR	0.047uF 50V J	
C469	QFLC1HJ-104Z	M CAPACITOR	0.1uF 50V J	
C470	QFLC1HJ-104Z	M CAPACITOR	0.1uF 50V J	
C471	QFLC1HJ-104Z	M CAPACITOR	0.1uF 50V J	
C472	QFLC1HJ-104Z	M CAPACITOR	0.1uF 50V J	
C473	QETN1EM-227Z	E CAPACITOR	220uF 25V M	
C475	QETN1AM-477Z	E CAPACITOR	470uF 10V M	
C476	QTE1V06-106Z	E CAPACITOR	10uF 35V	
C477	QTE1V06-106Z	E CAPACITOR	10uF 35V	
C478	QTE1C06-476Z	E CAPACITOR	47uF 16V	
C479	QFVJ1HJ-224Z	MF CAPACITOR	0.22uF 50V J	
C480	QETN1HM-106Z	E CAPACITOR	10uF 50V M	

Symbol No.	Part No.	Part Name	Description	Local
C481	QTE1V06-106Z	E CAPACITOR	10uF 35V	
C482	QTE1V06-106Z	E CAPACITOR	10uF 35V	
C483	QETN1EM-106Z	E CAPACITOR	10uF 25V M	
C484	QETN1EM-106Z	E CAPACITOR	10uF 25V M	
C485	QETN1EM-106Z	E CAPACITOR	10uF 25V M	
C486	QETN1EM-106Z	E CAPACITOR	10uF 25V M	
C487	QETN1HM-225Z	E CAPACITOR	2.2uF 50V M	
C488	QETN1HM-225Z	E CAPACITOR	2.2uF 50V M	
C489	QTE1C06-476Z	E CAPACITOR	47uF 16V	
C497	QETN1HM-105Z	E CAPACITOR	1uF 50V M	
C501	QETN1HM-475Z	E CAPACITOR	4.7uF 50V M	
C502	QFLC1HJ-153Z	M CAPACITOR	0.015uF 50V J	
C503	QFVJ1HJ-224Z	MF CAPACITOR	0.22uF 50V J	
C504	QFLC1HJ-822Z	M CAPACITOR	8200pF 50V J	
C505	QFVJ1HJ-274Z	MF CAPACITOR	0.27uF 50V J	
C508	QFLC1HJ-273Z	M CAPACITOR	0.027uF 50V J	
C509	QEKC1CM-106Z	E CAPACITOR	10uF 16V M	
C510	QEKC1AM-107Z	E CAPACITOR	100uF 10V M	
C514	QFLC1HJ-471Z	M CAPACITOR	470pF 50V J	
C520	QETN1EM-106Z	E CAPACITOR	10uF 25V M	
C533	QETN1AM-107Z	E CAPACITOR	100uF 10V M	
C534	QFLC1HJ-153Z	M CAPACITOR	0.015uF 50V J	
C536	QETN1HM-105Z	E CAPACITOR	1uF 50V M	
C537	QDGB1HK-681Y	C CAPACITOR	680pF 50V K	
C538	QDGB1CM-182Y	C CAPACITOR	1800pF 16V M	
C539	QCSB1HJ-330Y	C CAPACITOR	33pF 50V J	
C551	QETN1AM-227Z	E CAPACITOR	220uF 10V M	
C552	QFLC1HJ-104Z	M CAPACITOR	0.1uF 50V J	
C553	QFLC1HJ-103Z	M CAPACITOR	0.01uF 50V J	
C554	QETN1EM-106Z	E CAPACITOR	10uF 25V M	
C555	QFLC1HJ-103Z	M CAPACITOR	0.01uF 50V J	
C556	QETN1EM-106Z	E CAPACITOR	10uF 25V M	
C557	QFLC1HJ-104Z	M CAPACITOR	0.1uF 50V J	
C559	FQCF31HP-103Z	D.CAPACITOR		
C560	QFLC1HJ-223Z	M CAPACITOR	0.022uF 50V J	
C570	QETN1JM-476Z	E CAPACITOR	47uF 63V M	
C571	QETN1HM-225Z	E CAPACITOR	2.2uF 50V M	
C575	QCBB1HK-101Y	C CAPACITOR	100pF 50V K	
C576	QETN1CM-476Z	E CAPACITOR	47uF 16V M	
C577	QETN1CM-476Z	E CAPACITOR	47uF 16V M	
C578	QETN1HM-105Z	E CAPACITOR	1uF 50V M	
C585	QETN1HM-476Z	E CAPACITOR	47uF 50V M	
C587	QETN1CM-107Z	E CAPACITOR	100uF 16V M	
C588	QETN1AM-227Z	E CAPACITOR	220uF 10V M	
R401	QRE141J-102Y	C RESISTOR	1kΩ 1/4W J	
R402	QRE141J-102Y	C RESISTOR	1kΩ 1/4W J	
R405	QRE141J-392Y	C RESISTOR	3.9kΩ 1/4W J	
R406	QRE141J-392Y	C RESISTOR	3.9kΩ 1/4W J	
R411	QRE141J-363Y	C RESISTOR	36kΩ 1/4W J	
R412	QRE141J-363Y	C RESISTOR	36kΩ 1/4W J	
R413	QRE141J-123Y	C RESISTOR	12kΩ 1/4W J	
R414	QRE141J-123Y	C RESISTOR	12kΩ 1/4W J	
R435	QRE141J-683Y	C RESISTOR	68kΩ 1/4W J	
R440	QRE141J-912Y	C RESISTOR	9.1kΩ 1/4W J	
R442	QRE141J-822Y	C RESISTOR	8.2kΩ 1/4W J	
R443	QRE141J-103Y	C RESISTOR	10kΩ 1/4W J	
R444	QRE141J-822Y	C RESISTOR	8.2kΩ 1/4W J	
R445	QRE141J-103Y	C RESISTOR	10kΩ 1/4W J	
R446	QRE141J-183Y	C RESISTOR	18kΩ 1/4W J	
R447	QRE141J-123Y	C RESISTOR	12kΩ 1/4W J	
R450	QRE141J-124Y	C RESISTOR	120kΩ 1/4W J	
R451	QRE141J-153Y	C RESISTOR	15kΩ 1/4W J	
R452	QRE141J-822Y	C RESISTOR	8.2kΩ 1/4W J	
R453	QRE141J-513Y	C RESISTOR	51kΩ 1/4W J	
R454	QRE141J-104Y	C RESISTOR	100kΩ 1/4W J	
R455	QRE141J-513Y	C RESISTOR	51kΩ 1/4W J	
R456	QRE141J-104Y	C RESISTOR	100kΩ 1/4W J	
R458	QRE141J-102Y	C RESISTOR	1kΩ 1/4W J	
R459	QRE141J-102Y	C RESISTOR	1kΩ 1/4W J	
R477	QRE141J-123Y	C RESISTOR	12kΩ 1/4W J	
R478	QRE141J-122Y	C RESISTOR	1.2kΩ 1/4W J	
R480	QRE141J-103Y	C RESISTOR	10kΩ 1/4W J	
R481	QRE141J-103Y	C RESISTOR	10kΩ 1/4W J	
R482	QRE141J-103Y	C RESISTOR	10kΩ 1/4W J	
R493	QRE141J-103Y	C RESISTOR	10kΩ 1/4W J	
R494	QRE141J-103Y	C RESISTOR	10kΩ 1/4W J	
R495	QRE141J-103Y	C RESISTOR	10kΩ 1/4W J	

Symbol No.	Part No.	Part Name	Description	Local	Symbol No.	Part No.	Part Name	Description	Local
R496	QRE141J-102Y	C RESISTOR	1kΩ 1/4W J		Q682	KTC3203/OY/-T	TRANSISTOR		
R501	QRE141J-104Y	C RESISTOR	100kΩ 1/4W J		Q690	KTC3203/OY/-T	TRANSISTOR		
R502	QRE141J-104Y	C RESISTOR	100kΩ 1/4W J		Q733	2SC3576-JVC-T	TRANSISTOR		
R503	QRE141J-303Y	C RESISTOR	30kΩ 1/4W J		Q734	2SC3576-JVC-T	TRANSISTOR		
R504	QRE141J-104Y	C RESISTOR	100kΩ 1/4W J		Q735	2SC3576-JVC-T	TRANSISTOR		
R505	QRE141J-223Y	C RESISTOR	22kΩ 1/4W J		Q736	2SC3576-JVC-T	TRANSISTOR		
R506	QRE141J-223Y	C RESISTOR	22kΩ 1/4W J		Q737	KRA111M-T	DIGI TRANSISTOR		
R507	QRE141J-303Y	C RESISTOR	30kΩ 1/4W J		Q810	2SD1991A/RS/-T	TRANSISTOR		
R508	QRE141J-274Y	C RESISTOR	270kΩ 1/4W J		Q811	2SD1991A/RS/-T	TRANSISTOR		
R509	QRE141J-101Y	C RESISTOR	100Ω 1/4W J		Q812	2SD1991A/RS/-T	TRANSISTOR		
R510	QRE141J-823Y	C RESISTOR	82kΩ 1/4W J		Q813	2SD1991A/RS/-T	TRANSISTOR		
R511	QRE141J-104Y	C RESISTOR	100kΩ 1/4W J		Q814	2SD1991A/RS/-T	TRANSISTOR		
R512	QRE141J-563Y	C RESISTOR	56kΩ 1/4W J		Q815	2SD1991A/RS/-T	TRANSISTOR		
R513	QRE141J-822Y	C RESISTOR	8.2kΩ 1/4W J		Q816	2SD1991A/RS/-T	TRANSISTOR		
R514	QRE141J-822Y	C RESISTOR	8.2kΩ 1/4W J		Q817	2SD1991A/RS/-T	TRANSISTOR		
R515	QRE141J-114Y	C RESISTOR	110kΩ 1/4W J		Q818	2SD1991A/RS/-T	TRANSISTOR		
△ R533	QRZ9006-4R7X	F.RESISTOR	4.7Ω 1/4W J		Q819	2SD1991A/RS/-T	TRANSISTOR		
R534	QRE141J-473Y	C RESISTOR	47kΩ 1/4W J		Q820	2SD1991A/RS/-T	TRANSISTOR		
R535	QRE141J-225Y	C RESISTOR	2.2MΩ 1/4W J		Q821	2SD1991A/RS/-T	TRANSISTOR		
R536	QRE141J-104Y	C RESISTOR	100kΩ 1/4W J		Q822	2SD1991A/RS/-T	TRANSISTOR		
R537	QRE141J-220Y	C RESISTOR	22Ω 1/4W J		Q823	2SD1991A/RS/-T	TRANSISTOR		
R551	QRE141J-272Y	C RESISTOR	2.7kΩ 1/4W J		Q833	KRA111M-T	DIGI TRANSISTOR		
R552	QRE141J-272Y	C RESISTOR	2.7kΩ 1/4W J		Q858	2SD1991A/RS/-T	TRANSISTOR		
R553	QRE141J-752Y	C RESISTOR	7.5kΩ 1/4W J		Q875	KRC102M-T	DIGI TRANSISTOR		
R554	QRE141J-752Y	C RESISTOR	7.5kΩ 1/4W J		Q879	2SD1991A/RS/-T	TRANSISTOR		
R570	QRE141J-103Y	C RESISTOR	10kΩ 1/4W J		Q890	2SD1991A/RS/-T	TRANSISTOR		
R571	QRE141J-271Y	C RESISTOR	270Ω 1/4W J		Q916	KTA1267/YG/-T	TRANSISTOR		
R572	QRE141J-473Y	C RESISTOR	47kΩ 1/4W J		Q917	KRC102M-T	DIGI TRANSISTOR		
R573	QRE141J-113Y	C RESISTOR	11kΩ 1/4W J		Q961	KTA1267/YG/-T	TRANSISTOR		
R575	QRE141J-473Y	C RESISTOR	47kΩ 1/4W J		Q962	KRC102M-T	DIGI TRANSISTOR		
R576	QRE141J-104Y	C RESISTOR	100kΩ 1/4W J						
R577	QRE141J-104Y	C RESISTOR	100kΩ 1/4W J		△ D201	1N5402M-20	DIODE		
R579	QRE141J-184Y	C RESISTOR	180kΩ 1/4W J		△ D202	1N5402M-20	DIODE		
R580	QRE141J-513Y	C RESISTOR	51kΩ 1/4W J		△ D203	1N5402M-20	DIODE		
R581	QRE141J-224Y	C RESISTOR	220kΩ 1/4W J		△ D204	1N5402M-20	DIODE		
R582	QRE141J-101Y	C RESISTOR	100Ω 1/4W J		△ D211	1N5402M-20	DIODE		
R583	QRE141J-101Y	C RESISTOR	100Ω 1/4W J		△ D212	1N5402M-20	DIODE		
R585	QRE141J-104Y	C RESISTOR	100kΩ 1/4W J		△ D213	1N5402M-20	DIODE		
R587	QRE141J-101Y	C RESISTOR	100Ω 1/4W J		△ D214	1N5402M-20	DIODE		
R588	QRE141J-102Y	C RESISTOR	1kΩ 1/4W J		D217	1N4003S-T5	SI DIODE		
R589	QRE141J-102Y	C RESISTOR	1kΩ 1/4W J		D218	1N4003S-T5	SI DIODE		
					D219	MTZJ33B-T2	Z DIODE		
L533	QQR1277-001Z	COIL			D220	MTZJ6.8B-T2	Z DIODE		
L551	QQR1277-001Z	COIL			D227	1N4003S-T5	SI DIODE		
					D240	MTZJ13B-T2	Z DIODE		
CN11	QGF1205F1-09	CONNECTOR	FFC/FPC (1-9)		D260	1SS119-041-T2	DIODE		
CN44	QGF1201F3-10	CONNECTOR	FFC/FPC (1-10)		D261	1SS119-041-T2	DIODE		
CN217	QGB2510J1-07	CONNECTOR	B-B (1-7)		D262	1SS119-041-T2	DIODE		
CN311	QGB2510J1-11	CONNECTOR	B-B (1-11)		D263	1SS119-041-T2	DIODE		
CN661	QGF1036F1-19	CONNECTOR	FFC/FPC (1-19)		D264	MTZJ5.1B-T2	Z DIODE		
CN870	QGF1205F1-21	CONNECTOR	FFC/FPC (1-21)		D619	1SS119-041-T2	DIODE		
J411	NNN0420-001	PIN JACK			D620	1SS119-041-T2	DIODE		
SP434	GV40205-001A	IC HOLDER			D622	MTZJ9.1B-T2	Z DIODE		
TW3	QUB230-13HPPH	WIRE			D650	1SS119-041-T2	DIODE		
					D725	1SS119-041-T2	DIODE		
					D801	1SS119-041-T2	DIODE		
					D802	1SS119-041-T2	DIODE		
					D803	MA723-T2	SI DIODE		
					D804	1SS119-041-T2	DIODE		
					D805	1SS119-041-T2	DIODE		
					D806	1SS119-041-T2	DIODE		
					D807	RB721Q-40-T2	DIODE		
					D810	1SS119-041-T2	DIODE		
					D831	MTZJ5.1B-T2	Z DIODE		
					D832	MTZJ5.1B-T2	Z DIODE		
					D833	MTZJ4.3B-T2	Z DIODE		
					D875	1SS119-041-T2	DIODE		
					D901	L-192ZSRD-T	LED		
					D902	L-192ZSRD-T	LED		
					D903	L-192ZSRD-T	LED		
					D942	L-192ZSRD-T	LED		
					D943	L-192ZSRD-T	LED		
					D944	L-192ZSRD-T	LED		
					D945	L-192ZSRD-T	LED		
					D946	L-192ZSRD-T	LED		
					D947	L-192ZSRD-T	LED		
					D948	L-192ZSRD-T	LED		
					D950	L-192ZSRD-T	LED		

Front board

Block No. [0][3][0][0]

Symbol No.	Part No.	Part Name	Description	Local
△ IC240	KIA7812API	IC	Regulator	
△ IC602	STK402-070	IC	2-ch audio power amplifier	
IC810	UPD784975AGF310	IC		
IC811	BU2092	IC	EXPANDER	
IC951	GP1UM271XK	IR DETECT UNIT	IR detecting unit for remote control	
Q201	2SB1274/RS/	TRANSISTOR		
Q202	2SC2785/FE/-T	TRANSISTOR		
Q260	KTC3203/OY/-T	TRANSISTOR		
Q601	KTA1268/GL/-T	TRANSISTOR		
Q602	KTA1268/GL/-T	TRANSISTOR		
Q612	2SA1175/FE/-T	TRANSISTOR		
Q613	KRC102M-T	DIGI TRANSISTOR		

△ Symbol No.	Part No.	Part Name	Description	Local	△ Symbol No.	Part No.	Part Name	Description	Local
D951	L-192ZSRD-T	LED			C959	QDYB1CM-103Y	C CAPACITOR	0.01uF 16V M	
D962	L-192ZSRD-T	LED			C960	QDYB1CM-103Y	C CAPACITOR	0.01uF 16V M	
D972	LC503MUR1-30Q	LED			C961	QDYB1CM-103Y	C CAPACITOR	0.01uF 16V M	
D973	LC503MUR1-30Q	LED			C962	QDYB1CM-103Y	C CAPACITOR	0.01uF 16V M	
D1003	MTZJ2.4B-T2	Z DIODE			C963	QDYB1CM-103Y	C CAPACITOR	0.01uF 16V M	
					C1003	QDXB1CM-222Y	C CAPACITOR	2200pF 16V M	
C91	QDGB1HK-102Y	C CAPACITOR	1000pF 50V K		C1004	QDGB1HK-102Y	C CAPACITOR	1000pF 50V K	
C201	QFKC2EK-104	MM CAPACITOR	0.1uF 250V K		C1005	QDGB1HK-102Y	C CAPACITOR	1000pF 50V K	
C202	QFKC2EK-104	MM CAPACITOR	0.1uF 250V K		C1006	QDGB1HK-102Y	C CAPACITOR	1000pF 50V K	
C203	QFKC2EK-104	MM CAPACITOR	0.1uF 250V K						
C204	QEZO581-478	E CAPACITOR	4700uF		△ R202	QRJ146J-470X	UNF C RESISTOR	47Ω 1/4W J	
C205	QEZO581-478	E CAPACITOR	4700uF		R203	QRE141J-752Y	C RESISTOR	7.5kΩ 1/4W J	
C211	QFKC2EK-104Z	MM CAPACITOR	0.1uF 250V K		R204	QRE141J-223Y	C RESISTOR	22kΩ 1/4W J	
C212	QFKC2EK-104Z	MM CAPACITOR	0.1uF 250V K		R205	QRE141J-104Y	C RESISTOR	100kΩ 1/4W J	
C213	QFKC2EK-104Z	MM CAPACITOR	0.1uF 250V K		R215	QRE141J-473Y	C RESISTOR	47kΩ 1/4W J	
C214	QETM1HM-228	E CAPACITOR	2200uF 50V M		R216	QRE141J-473Y	C RESISTOR	47kΩ 1/4W J	
C215	QETM1HM-228	E CAPACITOR	2200uF 50V M		R217	QRE141J-273Y	C RESISTOR	27kΩ 1/4W J	
C216	QETN1VM-107Z	E CAPACITOR	100uF 35V M		R218	QRE141J-273Y	C RESISTOR	27kΩ 1/4W J	
C217	QETN2AM-476Z	E CAPACITOR	47uF 100V M		△ R240	QRZ9005-100X	FUSI RESISTOR	10Ω	
C218	QETN1HM-226Z	E CAPACITOR	22uF 50V M		R260	QRE141J-562Y	C RESISTOR	5.6kΩ 1/4W J	
C219	QDYB1CM-103Y	C CAPACITOR	0.01uF 16V M		R261	QRE141J-302Y	C RESISTOR	3kΩ 1/4W J	
C220	QETN1HM-226Z	E CAPACITOR	22uF 50V M		R262	QRE141J-562Y	C RESISTOR	5.6kΩ 1/4W J	
C221	QETN1HM-475Z	E CAPACITOR	4.7uF 50V M		R263	QRE141J-302Y	C RESISTOR	3kΩ 1/4W J	
C222	QETN1HM-475Z	E CAPACITOR	4.7uF 50V M		R265	QRE141J-472Y	C RESISTOR	4.7kΩ 1/4W J	
C236	QETM1EM-688	E CAPACITOR	6800uF 25V M		△ R601	QRJ146J-101X	UNF C RESISTOR	100Ω 1/4W J	
C240	QETN1HM-106Z	E CAPACITOR	10uF 50V M		△ R602	QRJ146J-101X	UNF C RESISTOR	100Ω 1/4W J	
C260	QETN1EM-476Z	E CAPACITOR	47uF 25V M		R603	QRE141J-563Y	C RESISTOR	56kΩ 1/4W J	
C601	FQCF31HZ-223Z	D.CAPACITOR			R604	QRE141J-563Y	C RESISTOR	56kΩ 1/4W J	
C602	FQCF31HZ-223Z	D.CAPACITOR			△ R605	FQRJ143J-122X	UNF C RESISTOR		
C603	QCBB1HK-221Y	C CAPACITOR	220pF 50V K		△ R606	FQRJ143J-122X	UNF C RESISTOR		
C604	QCBB1HK-221Y	C CAPACITOR	220pF 50V K		R607	QRE141J-563Y	C RESISTOR	56kΩ 1/4W J	
C605	QCBB1HK-221Y	C CAPACITOR	220pF 50V K		R608	QRE141J-563Y	C RESISTOR	56kΩ 1/4W J	
C606	QCBB1HK-221Y	C CAPACITOR	220pF 50V K		△ R613	QRJ146J-100X	UNF C RESISTOR	10Ω 1/4W J	
C607	QETN1JM-476Z	E CAPACITOR	47uF 63V M		△ R614	QRJ146J-100X	UNF C RESISTOR	10Ω 1/4W J	
C608	QETN1JM-476Z	E CAPACITOR	47uF 63V M		△ R615	FQRJ143J-100X	UNF C RESISTOR		
C609	QCSB1HJ-100Y	C CAPACITOR	10pF 50V J		△ R616	FQRJ143J-100X	UNF C RESISTOR		
C610	QCSB1HJ-100Y	C CAPACITOR	10pF 50V J		R617	QRE141J-221Y	C RESISTOR	220Ω 1/4W J	
C611	QETN1HM-476Z	E CAPACITOR	47uF 50V M		R618	QRE141J-221Y	C RESISTOR	220Ω 1/4W J	
C612	QETN1HM-476Z	E CAPACITOR	47uF 50V M		R619	QRE141J-222Y	C RESISTOR	2.2kΩ 1/4W J	
C613	QFLC1HJ-473Z	M CAPACITOR	0.047uF 50V J		R620	QRE141J-222Y	C RESISTOR	2.2kΩ 1/4W J	
C614	QFLC1HJ-473Z	M CAPACITOR	0.047uF 50V J		R621	QRE141J-103Y	C RESISTOR	10kΩ 1/4W J	
C615	QFLC1HJ-473Z	M CAPACITOR	0.047uF 50V J		R623	QRE141J-103Y	C RESISTOR	10kΩ 1/4W J	
C616	QFLC1HJ-473Z	M CAPACITOR	0.047uF 50V J		△ R637	QRK126J-121X	UNF C RESISTOR	120Ω 1/2W J	
C621	QTE1V06-106Z	E CAPACITOR	10uF 35V		△ R638	QRK126J-470X	UNF C RESISTOR	47Ω 1/2W J	
C622	QTE1V06-106Z	E CAPACITOR	10uF 35V		△ R639	QRL01DJ-821X	OMF RESISTOR	820Ω 1W J	
C623	QTE1V06-106Z	E CAPACITOR	10uF 35V		△ R640	QRL01DJ-821X	OMF RESISTOR	820Ω 1W J	
C624	QTE1V06-106Z	E CAPACITOR	10uF 35V		R652	QRT01DJ-R22X	MF RESISTOR	0.22Ω 1W J	
C639	QETN1HM-105Z	E CAPACITOR	1uF 50V M		△ R653	QRT01DJ-R22X	MF RESISTOR	0.22Ω 1W J	
C651	QDGB1HK-102Y	C CAPACITOR	1000pF 50V K		R654	QRT01DJ-R22X	MF RESISTOR	0.22Ω 1W J	
C652	QDGB1HK-102Y	C CAPACITOR	1000pF 50V K		△ R655	QRT01DJ-R22X	MF RESISTOR	0.22Ω 1W J	
C734	QDGB1HK-102Y	C CAPACITOR	1000pF 50V K		R666	QRE141J-333Y	C RESISTOR	33kΩ 1/4W J	
C735	QDGB1HK-102Y	C CAPACITOR	1000pF 50V K		R667	QRE141J-103Y	C RESISTOR	10kΩ 1/4W J	
C736	QDGB1HK-102Y	C CAPACITOR	1000pF 50V K		R668	QRE141J-103Y	C RESISTOR	10kΩ 1/4W J	
C737	QDGB1HK-102Y	C CAPACITOR	1000pF 50V K		△ R674	QRJ146J-100X	UNF C RESISTOR	10Ω 1/4W J	
C740	QDGB1HK-102Y	C CAPACITOR	1000pF 50V K		R675	QRE141J-102Y	C RESISTOR	1kΩ 1/4W J	
C741	QDGB1HK-102Y	C CAPACITOR	1000pF 50V K		R676	QRE141J-102Y	C RESISTOR	1kΩ 1/4W J	
C801	FQCF31HP-103Z	D.CAPACITOR			R680	QRE141J-102Y	C RESISTOR	1kΩ 1/4W J	
C803	QEZO507-479Z	EDL.CAPACITOR	0.047F		R682	QRE141J-332Y	C RESISTOR	3.3kΩ 1/4W J	
C804	QEKCOJM-227Z	E CAPACITOR	220uF 6.3V M		R683	QRE141J-103Y	C RESISTOR	10kΩ 1/4W J	
C805	QDGB1HK-102Y	C CAPACITOR	1000pF 50V K		R690	QRE141J-103Y	C RESISTOR	10kΩ 1/4W J	
C808	QCSB1HJ-270Y	C CAPACITOR	27pF 50V J		R725	QRE141J-823Y	C RESISTOR	82kΩ 1/4W J	
C809	QCSB1HJ-300Y	C CAPACITOR	30pF 50V J		R726	QRE141J-104Y	C RESISTOR	100kΩ 1/4W J	
C815	QEK1HM-226Z	E CAPACITOR	22uF 50V M		R733	QRE141J-472Y	C RESISTOR	4.7kΩ 1/4W J	
C817	QEK1HM-226Z	E CAPACITOR	22uF 50V M		R734	QRE141J-472Y	C RESISTOR	4.7kΩ 1/4W J	
C820	QCZO202-155Z	C CAPACITOR	1.5uF 25V Z		R735	QRE141J-472Y	C RESISTOR	4.7kΩ 1/4W J	
C821	QDYB1CM-103Y	C CAPACITOR	0.01uF 16V M		R736	QRE141J-472Y	C RESISTOR	4.7kΩ 1/4W J	
C823	QFVJ1HJ-334Z	MF CAPACITOR	0.33uF 50V J		△ R737	QRK126J-121X	UNF C RESISTOR	120Ω 1/2W J	
C825	QDGB1HK-102Y	C CAPACITOR	1000pF 50V K		△ R738	QRK126J-470X	UNF C RESISTOR	47Ω 1/2W J	
C831	QDYB1CM-103Y	C CAPACITOR	0.01uF 16V M		△ R745	QRL027J-221	CAPACITOR	220Ω 2W J	
C832	QDYB1CM-103Y	C CAPACITOR	0.01uF 16V M		R801	QRE141J-331Y	C RESISTOR	330Ω 1/4W J	
C835	QDGB1HK-102Y	C CAPACITOR	1000pF 50V K		R802	QRE141J-270Y	C RESISTOR	27Ω 1/4W J	
C836	QEK1EM-106Z	E CAPACITOR	10uF 25V M		R805	QRE141J-103Y	C RESISTOR	10kΩ 1/4W J	
C837	QETN1AM-107Z	E CAPACITOR	100uF 10V M		R806	QRE141J-103Y	C RESISTOR	10kΩ 1/4W J	
C838	QDGB1HK-102Y	C CAPACITOR	1000pF 50V K		R807	QRE141J-102Y	C RESISTOR	1kΩ 1/4W J	
C840	QEKCOJM-107Z	E CAPACITOR	100uF 6.3V M		R808	QRE141J-104Y	C RESISTOR	100kΩ 1/4W J	
C889	QEK1HM-475Z	E CAPACITOR	4.7uF 50V M		R810	QRE141J-103Y	C RESISTOR	10kΩ 1/4W J	
C901	QCSB1HJ-100Y	C CAPACITOR	10pF 50V J		R811	QRE141J-103Y	C RESISTOR	10kΩ 1/4W J	
C958	QDYB1CM-103Y	C CAPACITOR	0.01uF 16V M		R812	QRE141J-103Y	C RESISTOR	10kΩ 1/4W J	

△ Symbol No.	Part No.	Part Name	Description	Local
R987	QRE141J-104Y	C RESISTOR	100kΩ 1/4W J	
R988	QRE141J-133Y	C RESISTOR	13kΩ 1/4W J	
R989	QRE141J-133Y	C RESISTOR	13kΩ 1/4W J	
R990	QRE141J-133Y	C RESISTOR	13kΩ 1/4W J	
R991	QRE141J-104Y	C RESISTOR	100kΩ 1/4W J	
R992	QRE141J-133Y	C RESISTOR	13kΩ 1/4W J	
R993	QRE141J-104Y	C RESISTOR	100kΩ 1/4W J	
R994	QRE141J-104Y	C RESISTOR	100kΩ 1/4W J	
R995	QRE141J-104Y	C RESISTOR	100kΩ 1/4W J	
R996	QRE141J-104Y	C RESISTOR	100kΩ 1/4W J	

L601	QQLZ035-R39	COIL	0.39uH	
L602	QQLZ035-R39	COIL	0.39uH	
L801	QQL244K-100Z	COIL	10uH K	
L802	QQL231K-220Y	INDUCTOR	22uH K	
L803	QQL29BJ-100Z	COIL	10uH J	
L805	QQL244K-100Z	COIL	10uH K	
L806	QQL244K-100Z	COIL	10uH K	
L807	QQL231K-220Y	INDUCTOR	22uH K	
L815	QQR0621-001Z	COIL		
L872	QQR0621-001Z	COIL		
L1003	QQL231K-2R2Y	COIL	2.2uH K	

BZ801	QAN0055-001	BUZZER		
CN43	QGF1210G1-09	CONNECTOR	FFC/FPC (1-9)	
CN91	QGD2504C1-03Z	CONNECTOR	(1-3)	
CN205	QGB2510J1-15	CONNECTOR	B-B (1-15)	
CN206	QGA2501F1-02	CONNECTOR	W-B (1-2)	
CN207	QGB2510K2-07	CONNECTOR	B-B (1-7)	
CN701	QGD2503F1-04	CONNECTOR	(1-4)	
CN860	QGF1210G1-21	CONNECTOR	FFC/FPC (1-21)	
CN880	QGF1210G1-13	CONNECTOR	FFC/FPC (1-13)	
CN890	QGF1205F1-13	CONNECTOR	FFC/FPC (1-13)	
CP1	ICP-N15-T	IC PROTECTOR	600mA	
FL801	QLF0096-001	FL TUBE		
FW91	QUM153-12DGZ4	FLAT WIRE		
FW202	QUM157-07DGZ4	FW CABLE		
FW204	QJK015-050604	WIRE SOCKET		
FW221	QUM156-13DGZ4	FLAT WIRE		
FW711	QUM154-33DGZ4	FLAT WIRE		
FW800	QUM023-05Z4Z4	TM FLAT		
J81	QNB0151-001	SPK TERMINAL		
J91	QNN0215-001	PIN JACK		
J1001	QNS0204-001	PHONE JACK		
JS958	QSW0984-001	ROTARY SW		
JS960	QSW0983-001	ROTARY SW		
JS962	QSW0862-001	ROTARY VR		
RY1	QSK0109-001	RELAY		
RY2	QSK0109-001	RELAY		
S900	QSW0674-001Z	TACT SW		
S901	QSW0674-001Z	TACT SW		
S902	QSW0674-001Z	TACT SW		
S903	QSW0674-001Z	TACT SW		
S904	QSW0674-001Z	TACT SW		
S905	QSW0674-001Z	TACT SW		
S906	QSW0674-001Z	TACT SW		
S920	QSW0674-001Z	TACT SW		
S921	QSW0674-001Z	TACT SW		
S922	QSW0674-001Z	TACT SW		
S923	QSW0674-001Z	TACT SW		
S924	QSW0674-001Z	TACT SW		
S925	QSW0674-001Z	TACT SW		
S926	QSW0674-001Z	TACT SW		
S927	QSW0674-001Z	TACT SW		
S928	QSW0674-001Z	TACT SW		
S940	QSW0674-001Z	TACT SW		
S941	QSW0674-001Z	TACT SW		
S942	QSW0674-001Z	TACT SW		
S943	QSW0674-001Z	TACT SW		
S944	QSW0674-001Z	TACT SW		
S945	QSW0674-001Z	TACT SW		
S946	QSW0674-001Z	TACT SW		
S947	QSW0674-001Z	TACT SW		
S948	QSW0674-001Z	TACT SW		
S949	QSW0674-001Z	TACT SW		
SP682	CV40121-005A	SPECER		
SP801	VYH7653-001	IC HOLDER		
TW91	QUB350-09HPHP	FLAT WIRE		

△ Symbol No.	Part No.	Part Name	Description	Local
TW200	QUB140-07PPPP	SINGLE WIRE		
TW682	QUB230-13HPHP	WIRE		
TW700	QUB230-16HPDM	WIRE		
TW801	QUB220-09HPDT	SINGLE WIRE		
X801	QAX0724-001Z	CRYSTAL	12.000000MHz	

CD board

Block No. [0][4][0][0]

△ Symbol No.	Part No.	Part Name	Description	Local
IC251	UPD780024AGKB59	IC		
IC601	AN22000A-W	IC	RF & SERVO AMP	
IC651	MN6627482WA	IC	DSP & DAC	
IC801	AN4801SB-W	IC	4 channel power of amp system driver	
IC851	LB1641	IC	DC Motor driver	
IC852	LB1641	IC	DC Motor driver	

Q291	2SA952/LK/-T	TRANSISTOR		
Q631	2SB709A/RS/-X	TRANSISTOR		

D851	DZ5.6BSB-T2	Z DIODE		
------	-------------	---------	--	--

C253	NCB31CK-104X	C CAPACITOR	0.1uF 16V K	
C254	QEKJ0JM-476Z	E CAPACITOR	47uF 10V M	
C291	QERF1AM-476Z	E CAPACITOR	47uF 10V M	
C601	NCB31HK-222X	C CAPACITOR	2200pF 50V K	
C602	NCB31HK-222X	C CAPACITOR	2200pF 50V K	
C603	NCB31EK-223X	C CAPACITOR	0.022uF 25V K	
C604	NCB31EK-223X	C CAPACITOR	0.022uF 25V K	
C605	NCS31HJ-471X	C CAPACITOR	470pF 50V J	
C606	NCS31HJ-121X	C CAPACITOR	120pF 50V J	
C608	NCB31HK-122X	C CAPACITOR	1200pF 50V K	
C610	NCB31CK-273X	C CAPACITOR	0.027uF 16V K	
C612	EEKJ1HM-105ZJC	E CAPACITOR	1uF 50V M	
C613	NCB31AK-224X	C CAPACITOR	0.22uF 10V K	
C614	NCB31CK-273X	C CAPACITOR	0.027uF 16V K	
C615	NCB31HK-472X	C CAPACITOR	4700pF 50V K	
C616	NCB31EK-103X	C CAPACITOR	0.01uF 25V K	
C617	NCS31HJ-331X	C CAPACITOR	330pF 50V J	
C620	NCS31HJ-330X	C CAPACITOR	33pF 50V J	
C621	NCB30JK-105X	C CAPACITOR	1uF 6.3V K	
C622	NCB31CK-473X	C CAPACITOR	0.047uF 16V K	
C623	NCF31AZ-105X	C CAPACITOR	1uF 10V Z	
C624	QERF0JM-107Z	E CAPACITOR	100uF 6.3V M	
C631	QERF1CM-106Z	E CAPACITOR	10uF 16V M	
C632	NCF31AZ-105X	C CAPACITOR	1uF 10V Z	
C633	NCB31EK-223X	C CAPACITOR	0.022uF 25V K	
C641	NCB31CK-473X	C CAPACITOR	0.047uF 16V K	
C642	NCB31HK-472X	C CAPACITOR	4700pF 50V K	
C651	NCS31HJ-7R0X	C CAPACITOR	7pF 50V J	
C652	NCS31HJ-7R0X	C CAPACITOR	7pF 50V J	
C653	NCB31CK-104X	C CAPACITOR	0.1uF 16V K	
C655	NCB31CK-104X	C CAPACITOR	0.1uF 16V K	
C656	NCB31CK-104X	C CAPACITOR	0.1uF 16V K	
C657	QERF1AM-227Z	E CAPACITOR	220uF 10V M	
C658	NCB31CK-104X	C CAPACITOR	0.1uF 16V K	
C661	NCS31HJ-471X	C CAPACITOR	470pF 50V J	
C663	NCB31EK-223X	C CAPACITOR	0.022uF 25V K	
C664	NCB31EK-223X	C CAPACITOR	0.022uF 25V K	
C665	NCB31AK-334X	C CAPACITOR	0.33uF 10V K	
C667	NCB30JK-105X	C CAPACITOR	1uF 6.3V K	
C668	NCB31CK-473X	C CAPACITOR	0.047uF 16V K	
C669	QERF1AM-227Z	E CAPACITOR	220uF 10V M	
C672	NCB31AK-334X	C CAPACITOR	0.33uF 10V K	
C673	ECA1AAD101XI	E CAPACITOR		
C676	NCB31CK-104X	C CAPACITOR	0.1uF 16V K	
C677	NCB31CK-104X	C CAPACITOR	0.1uF 16V K	
C679	QERF0JM-107Z	E CAPACITOR	100uF 6.3V M	
C680	NCB31CK-104X	C CAPACITOR	0.1uF 16V K	
C691	NCB31HK-272X	C CAPACITOR	2700pF 50V K	
C692	NCB31HK-272X	C CAPACITOR	2700pF 50V K	
C693	NCB31HK-222X	C CAPACITOR	2200pF 50V K	

△ Symbol No.	Part No.	Part Name	Description	Local	△ Symbol No.	Part No.	Part Name	Description	Local
C694	NCB31HK-222X	C CAPACITOR	2200pF 50V K		R682	NRSA63J-102X	MG RESISTOR	1kΩ 1/16W J	
C801	NCB31HK-392X	C CAPACITOR	3900pF 50V K		R683	NRSA63J-105X	MG RESISTOR	1MΩ 1/16W J	
C802	NCB31HK-222X	C CAPACITOR	2200pF 50V K		R684	NRSA63J-564X	MG RESISTOR	560kΩ 1/16W J	
C811	NCS31HJ-220X	C CAPACITOR	22pF 50V J		R685	NRSA63J-683X	MG RESISTOR	68kΩ 1/16W J	
C812	NCS31HJ-220X	C CAPACITOR	22pF 50V J		R691	NRSA63J-431X	MG RESISTOR	430Ω 1/16W J	
C813	NCS31HJ-220X	C CAPACITOR	22pF 50V J		R692	NRSA63J-431X	MG RESISTOR	430Ω 1/16W J	
C814	NCS31HJ-220X	C CAPACITOR	22pF 50V J		R703	NRSA63J-431X	MG RESISTOR	430Ω 1/16W J	
C821	NCF31AZ-105X	C CAPACITOR	1uF 10V Z		R704	NRSA63J-431X	MG RESISTOR	430Ω 1/16W J	
C822	QERF1AM-227Z	E CAPACITOR	220uF 10V M		R801	NRSA63J-113X	MG RESISTOR	11kΩ 1/16W J	
C852	QEJ1CM-106Z	E CAPACITOR	10uF 16V M		R802	NRSA63J-562X	MG RESISTOR	5.6kΩ 1/16W J	
C853	NCB31EK-103X	C CAPACITOR	0.01uF 25V K		R803	NRSA63J-912X	MG RESISTOR	9.1kΩ 1/16W J	
C854	NCB31EK-103X	C CAPACITOR	0.01uF 25V K		R804	NRSA63J-274X	MG RESISTOR	270kΩ 1/16W J	
C855	NCB31CK-104X	C CAPACITOR	0.1uF 16V K		R805	NRSA63J-393X	MG RESISTOR	39kΩ 1/16W J	
C859	NCF31AZ-105X	C CAPACITOR	1uF 10V Z		R806	NRSA63J-104X	MG RESISTOR	100kΩ 1/16W J	
C860	NCF31AZ-105X	C CAPACITOR	1uF 10V Z		R807	NRSA63J-682X	MG RESISTOR	6.8kΩ 1/16W J	
R253	NRSA63J-102X	MG RESISTOR	1kΩ 1/16W J		R808	NRSA63J-154X	MG RESISTOR	150kΩ 1/16W J	
R254	NRSA63J-102X	MG RESISTOR	1kΩ 1/16W J		R809	NRSA63J-752X	MG RESISTOR	7.5kΩ 1/16W J	
R255	NRSA63J-102X	MG RESISTOR	1kΩ 1/16W J		R810	NRSA63J-823X	MG RESISTOR	82kΩ 1/16W J	
R256	NRSA63J-102X	MG RESISTOR	1kΩ 1/16W J		R831	NRSA63J-151X	MG RESISTOR	150Ω 1/16W J	
R257	NRSA63J-102X	MG RESISTOR	1kΩ 1/16W J		R832	NRSA63J-103X	MG RESISTOR	10kΩ 1/16W J	
R260	NRSA63J-222X	MG RESISTOR	2.2kΩ 1/16W J		R842	NRSA63J-472X	MG RESISTOR	4.7kΩ 1/16W J	
R261	NRSA63J-223X	MG RESISTOR	22kΩ 1/16W J		R851	NRSA63J-102X	MG RESISTOR	1kΩ 1/16W J	
R262	NRSA63J-223X	MG RESISTOR	22kΩ 1/16W J		R852	NRSA63J-102X	MG RESISTOR	1kΩ 1/16W J	
R263	NRSA63J-223X	MG RESISTOR	22kΩ 1/16W J		R853	NRSA63J-102X	MG RESISTOR	1kΩ 1/16W J	
R264	NRSA63J-223X	MG RESISTOR	22kΩ 1/16W J		R854	NRSA63J-102X	MG RESISTOR	1kΩ 1/16W J	
R265	NRSA63J-223X	MG RESISTOR	22kΩ 1/16W J		R861	NRSA63J-102X	MG RESISTOR	1kΩ 1/16W J	
R278	NRSA63J-103X	MG RESISTOR	10kΩ 1/16W J		R862	NRSA63J-102X	MG RESISTOR	1kΩ 1/16W J	
R280	NRSA63J-102X	MG RESISTOR	1kΩ 1/16W J		R863	NRSA63J-102X	MG RESISTOR	1kΩ 1/16W J	
R281	NRSA63J-102X	MG RESISTOR	1kΩ 1/16W J		R864	NRSA63J-102X	MG RESISTOR	1kΩ 1/16W J	
R284	NRSA63J-102X	MG RESISTOR	1kΩ 1/16W J		R865	NRSA63J-102X	MG RESISTOR	1kΩ 1/16W J	
R291	NRSA63J-122X	MG RESISTOR	1.2kΩ 1/16W J		R866	NRSA63J-102X	MG RESISTOR	1kΩ 1/16W J	
R292	NRSA63J-103X	MG RESISTOR	10kΩ 1/16W J		R880	NRSA63J-102X	MG RESISTOR	1kΩ 1/16W J	
R294	NRSA63J-102X	MG RESISTOR	1kΩ 1/16W J		R881	NRSA63J-102X	MG RESISTOR	1kΩ 1/16W J	
R601	NRSA63J-474X	MG RESISTOR	470kΩ 1/16W J		R882	NRSA63J-102X	MG RESISTOR	1kΩ 1/16W J	
R602	NRSA63J-274X	MG RESISTOR	270kΩ 1/16W J		R883	NRSA63J-102X	MG RESISTOR	1kΩ 1/16W J	
R603	NRSA63J-473X	MG RESISTOR	47kΩ 1/16W J		R884	NRSA63J-102X	MG RESISTOR	1kΩ 1/16W J	
R604	NRSA63J-274X	MG RESISTOR	270kΩ 1/16W J		R885	NRSA63J-102X	MG RESISTOR	1kΩ 1/16W J	
R606	NRSA63J-623X	MG RESISTOR	62kΩ 1/16W J		R886	NRSA63J-102X	MG RESISTOR	1kΩ 1/16W J	
R607	NRSA63J-393X	MG RESISTOR	39kΩ 1/16W J		R887	NRSA63J-102X	MG RESISTOR	1kΩ 1/16W J	
R608	NRSA63J-0R0X	MG RESISTOR	0Ω 1/16W J		CN601	QGF1016F3-16	CONNECTOR	FFC/FPC (1-16)	
R609	NRSA63J-472X	MG RESISTOR	4.7kΩ 1/16W J		CN651	QGF1036F1-19	CONNECTOR	FFC/FPC (1-19)	
R611	NRSA63J-912X	MG RESISTOR	9.1kΩ 1/16W J		CN801	QGA2001C1-06	CONNECTOR	W-B (1-6)	
R613	NRSA63J-752X	MG RESISTOR	7.5kΩ 1/16W J		CN854	QGB2016K1-07	CONNECTOR	B-B (1-7)	
R614	NRSA63J-153X	MG RESISTOR	15kΩ 1/16W J		CN855	QGG2002M5-10	CONNECTOR	(1-10)	
R618	NRSA63J-472X	MG RESISTOR	4.7kΩ 1/16W J		W601	QUB220-07HPDT	SIN TWIST WIRE		
R619	NRSA63J-472X	MG RESISTOR	4.7kΩ 1/16W J		X251	QAX0720-001Z	C RESONATOR	4.19MHz	
R620	NRSA63J-472X	MG RESISTOR	4.7kΩ 1/16W J		X651	QAX0750-001Z	CRYSTAL	16.9344MHz	
R621	NRSA63J-472X	MG RESISTOR	4.7kΩ 1/16W J						
R622	NRSA63J-223X	MG RESISTOR	22kΩ 1/16W J						
R623	NRSA63J-223X	MG RESISTOR	22kΩ 1/16W J						
R628	NRSA63J-155X	MG RESISTOR	1.5MΩ 1/16W J						
R631	NRSA63J-2R2X	MG RESISTOR	2.2Ω 1/16W J						
R632	NRSA63J-100X	MG RESISTOR	10Ω 1/16W J						
R634	NRSA63J-120X	MG RESISTOR	12Ω 1/16W J						
R635	NRSA63J-121X	MG RESISTOR	120Ω 1/16W J						
R636	NRSA63J-910X	MG RESISTOR	91Ω 1/16W J						
R641	NRSA63J-823X	MG RESISTOR	82kΩ 1/16W J						
R642	NRSA63J-564X	MG RESISTOR	560kΩ 1/16W J						
R651	NRSA63J-102X	MG RESISTOR	1kΩ 1/16W J						
R652	NRSA63J-102X	MG RESISTOR	1kΩ 1/16W J						
R653	NRSA63J-102X	MG RESISTOR	1kΩ 1/16W J						
R654	NRSA63J-101X	MG RESISTOR	100Ω 1/16W J						
R655	NRSA63J-102X	MG RESISTOR	1kΩ 1/16W J						
R656	NRSA63J-102X	MG RESISTOR	1kΩ 1/16W J						
R657	NRSA63J-102X	MG RESISTOR	1kΩ 1/16W J						
R658	NRSA63J-102X	MG RESISTOR	1kΩ 1/16W J						
R659	NRSA63J-102X	MG RESISTOR	1kΩ 1/16W J						
R662	NRSA63J-683X	MG RESISTOR	68kΩ 1/16W J						
R663	NRSA63J-124X	MG RESISTOR	120kΩ 1/16W J						
R664	NRSA63J-331X	MG RESISTOR	330Ω 1/16W J						
R665	NRSA63J-271X	MG RESISTOR	270Ω 1/16W J						
R666	NRSA63J-221X	MG RESISTOR	220Ω 1/16W J						
R667	NRSA63J-4R7X	MG RESISTOR	4.7Ω 1/16W J						
R668	NRSA63J-155X	MG RESISTOR	1.5MΩ 1/16W J						
R669	NRSA63J-562X	MG RESISTOR	5.6kΩ 1/16W J						
R670	NRSA63J-101X	MG RESISTOR	100Ω 1/16W J						
R672	NRSA63J-272X	MG RESISTOR	2.7kΩ 1/16W J						

Tuner board

Block No. [0][5][0][0]

△ Symbol No.	Part No.	Part Name	Description	Local
IC1	LA1838	IC	FM AM IF AMP&detector	FM
IC2	LC72136N	IC	MPX Decoder PLL frequency synthesizer	
Q1	2SC2814/4-5/-X	TRANSISTOR		
Q5	KRA107S-X	DIGI TRANSISTOR		
D1	1SS133-T2	DIODE		
D2	1SS133-T2	DIODE		
D3	1SS133-T2	DIODE		
D4	1SS133-T2	DIODE		
D11	1SS133-T2	DIODE		
C1	NCB21HK-223X	C CAPACITOR	0.022uF 50V K	
C2	NCB21HK-103X	C CAPACITOR	0.01uF 50V K	
C3	EETC1CM-106ZJC	E CAPACITOR		
C4	NCB21HK-103X	C CAPACITOR	0.01uF 50V K	
C6	NCB21HK-102X	C CAPACITOR	1000pF 50V K	
C7	NCB21HK-102X	C CAPACITOR	1000pF 50V K	

△ Symbol No.	Part No.	Part Name	Description	Local	△ Symbol No.	Part No.	Part Name	Description	Local
C8	NCB21HK-102X	C CAPACITOR	1000pF 50V K		R36	NRSA02J-332X	MG RESISTOR	3.3kΩ 1/10W J	
C10	NRSA02J-0R0X	MG RESISTOR	0Ω 1/10W J		R37	NRSA02J-103X	MG RESISTOR	10kΩ 1/10W J	
C11	NCB21HK-104X	C CAPACITOR	0.1uF 50V K		R38	NRSA02J-563X	MG RESISTOR	56kΩ 1/10W J	
C12	NCB21HK-473X	C CAPACITOR	0.047uF 50V K		R39	NRSA02J-563X	MG RESISTOR	56kΩ 1/10W J	
C13	NCS21HJ-100X	C CAPACITOR	10pF 50V J		R40	NRSA02J-243X	MG RESISTOR	24kΩ 1/10W J	
C14	QEKC1AM-107Z	E CAPACITOR	100uF 10V M		R41	NRSA02J-332X	MG RESISTOR	3.3kΩ 1/10W J	
C15	NCS21HJ-120X	C CAPACITOR	12pF 50V J		R60	NRSA02J-0R0X	MG RESISTOR	0Ω 1/10W J	
C16	NCS21HJ-120X	C CAPACITOR	12pF 50V J		L1	QQR0796-003	COIL BLOCK		
C17	NCB21HK-392X	C CAPACITOR	3900pF 50V K		T1	QQR0793-001	IFT		
C18	QEQ61HM-474Z	E CAPACITOR	0.47uF 50V M		CF1	QAX0677-001Z	C FILTER	10.700MHz	
C19	NCB21HK-473X	C CAPACITOR	0.047uF 50V K		CF2	QAX0677-001Z	C FILTER	10.700MHz	
C20	NCB21HK-102X	C CAPACITOR	1000pF 50V K		CF3	QAX0610-001Z	C DISCRIMINATOR	10.700MHz	
C21	NCB21HK-223X	C CAPACITOR	0.022uF 50V K		CF3	QAX0610-001Z	C DISCRIMINATOR	10.700MHz	
C22	NCS21HJ-151X	C CAPACITOR	150pF 50V J		CN1	QGF1205F1-09	CONNECTOR	FFC/FPC (1-9)	
C23	NCS21HJ-151X	C CAPACITOR	150pF 50V J		J1	QNB0014-001	ANT.TERMINAL		
C24	NCS21HJ-151X	C CAPACITOR	150pF 50V J		TU1	QAU0161-001	FRONT END		
C25	QEKC1AM-107Z	E CAPACITOR	100uF 10V M		X1	QAX0402-001	CRYSTAL	75.0kHz	
C26	NCB21HK-102X	C CAPACITOR	1000pF 50V K						
C27	NCB21HK-102X	C CAPACITOR	1000pF 50V K						
C30	EEKC1CM-107ZJC	E CAPACITOR							
C31	EEKC1CM-226ZJC	E CAPACITOR							
C32	NCB21HK-473X	C CAPACITOR	0.047uF 50V K						
C33	NCB21HK-473X	C CAPACITOR	0.047uF 50V K						
C34	NCB21HK-223X	C CAPACITOR	0.022uF 50V K						
C35	NCB21HK-473X	C CAPACITOR	0.047uF 50V K						
C36	EEKC1HM-105ZJC	E CAPACITOR							
C37	EEKC1HM-105ZJC	E CAPACITOR							
C38	EETC1HM-224ZJC	E CAPACITOR							
C39	EETC1HM-105ZJC	E CAPACITOR							
C40	QETN1CM-106Z	E CAPACITOR	10uF 16V M						
C41	QETN1CM-106Z	E CAPACITOR	10uF 16V M						
C42	NCB21HK-152X	C CAPACITOR	1500pF 50V K						
C43	NCB21HK-152X	C CAPACITOR	1500pF 50V K						
C44	QETN1CM-106Z	E CAPACITOR	10uF 16V M						
C45	QETN1CM-106Z	E CAPACITOR	10uF 16V M						
C46	NCB21HK-273X	C CAPACITOR	0.027uF 50V K						
C47	EETC1HM-105ZJC	E CAPACITOR							
C48	NCB21HK-222X	C CAPACITOR	2200pF 50V K						
C49	NCS21HJ-471X	C CAPACITOR	470pF 50V J						
C50	EEKC1CM-226ZJC	E CAPACITOR							
C51	EEKC1HM-105ZJC	E CAPACITOR							
C52	QFVJ1HJ-274Z	MF CAPACITOR	0.27uF 50V J						
C53	EETC1CM-226ZJC	E CAPACITOR							
C54	NCB21HK-473X	C CAPACITOR	0.047uF 50V K						
C57	NCB21HK-102X	C CAPACITOR	1000pF 50V K						
C58	NCB21HK-473X	C CAPACITOR	0.047uF 50V K						
C59	NCB21HK-102X	C CAPACITOR	1000pF 50V K						
R1	QRE141J-560Y	C RESISTOR	56Ω 1/4W J						
R2	NRSA02J-331X	MG RESISTOR	330Ω 1/10W J						
R3	NRSA02J-224X	MG RESISTOR	220kΩ 1/10W J						
R4	NRSA02J-331X	MG RESISTOR	330Ω 1/10W J						
R5	NRSA02J-560X	MG RESISTOR	56Ω 1/10W J						
R6	NRSA02J-240X	MG RESISTOR	24Ω 1/10W J						
R10	NRSA02J-222X	MG RESISTOR	2.2kΩ 1/10W J						
R13	NRSA02J-103X	MG RESISTOR	10kΩ 1/10W J						
R14	NRSA02J-104X	MG RESISTOR	100kΩ 1/10W J						
R15	NRSA02J-332X	MG RESISTOR	3.3kΩ 1/10W J						
R16	NRSA02J-472X	MG RESISTOR	4.7kΩ 1/10W J						
△ R17	QRZ9005-680X	FUSI RESISTOR	68Ω						
R18	NRSA02J-102X	MG RESISTOR	1kΩ 1/10W J						
R19	NRSA02J-102X	MG RESISTOR	1kΩ 1/10W J						
R20	NRSA02J-102X	MG RESISTOR	1kΩ 1/10W J						
R21	NRSA02J-562X	MG RESISTOR	5.6kΩ 1/10W J						
R22	NRSA02J-472X	MG RESISTOR	4.7kΩ 1/10W J						
R23	NRSA02J-182X	MG RESISTOR	1.8kΩ 1/10W J						
R24	NRSA02J-103X	MG RESISTOR	10kΩ 1/10W J						
R25	NRSA02J-331X	MG RESISTOR	330Ω 1/10W J						
R26	NRSA02J-222X	MG RESISTOR	2.2kΩ 1/10W J						
R27	NRSA02J-103X	MG RESISTOR	10kΩ 1/10W J						
R28	NRSA02J-103X	MG RESISTOR	10kΩ 1/10W J						
R29	NRSA02J-103X	MG RESISTOR	10kΩ 1/10W J						
R30	NRSA02J-122X	MG RESISTOR	1.2kΩ 1/10W J						
R31	NRSA02J-102X	MG RESISTOR	1kΩ 1/10W J						
R32	NRSA02J-102X	MG RESISTOR	1kΩ 1/10W J						
R33	NRSA02J-331X	MG RESISTOR	330Ω 1/10W J						
R34	NRSA02J-470X	MG RESISTOR	47Ω 1/10W J						
R35	NRSA02J-562X	MG RESISTOR	5.6kΩ 1/10W J						

Switch board									
Block No. [0][6][0][0]									
△ Symbol No.	Part No.	Part Name	Description	Local	△ Symbol No.	Part No.	Part Name	Description	Local
CN804	QGB2016J1-07	CONNECTOR	B-B (1-7)						
CN805	QGB2021L1-10	CONNECTOR	B-B (1-10)						
SW1	QSW0859-001	LEVER SWITCH							
SW2	QSW0859-001	LEVER SWITCH							
SW3	QSW0859-001	LEVER SWITCH							
SW4	QSW0859-001	LEVER SWITCH							
SW5	QSW0859-001	LEVER SWITCH							
SW6	QSW0859-001	LEVER SWITCH							

Head amplifier board									
Block No. [0][7][0][0]									
△ Symbol No.	Part No.	Part Name	Description	Local	△ Symbol No.	Part No.	Part Name	Description	Local
IC1	SG-105F3-BB,C	PHOTO SENSOR							
D1	1SR139-400-T2	SI DIODE							
CN1	QGF1205F1-09	CONNECTOR	FFC/FPC (1-9)						
P1	QNZ0104-001	POST PIN							
SW1	QSW0832-001	CASS.SWITCH							
SW2	QSW0832-001	CASS.SWITCH							
SW5	QSW0832-001	CASS.SWITCH							
SW6	QSW0859-001	DETECT SWITCH							

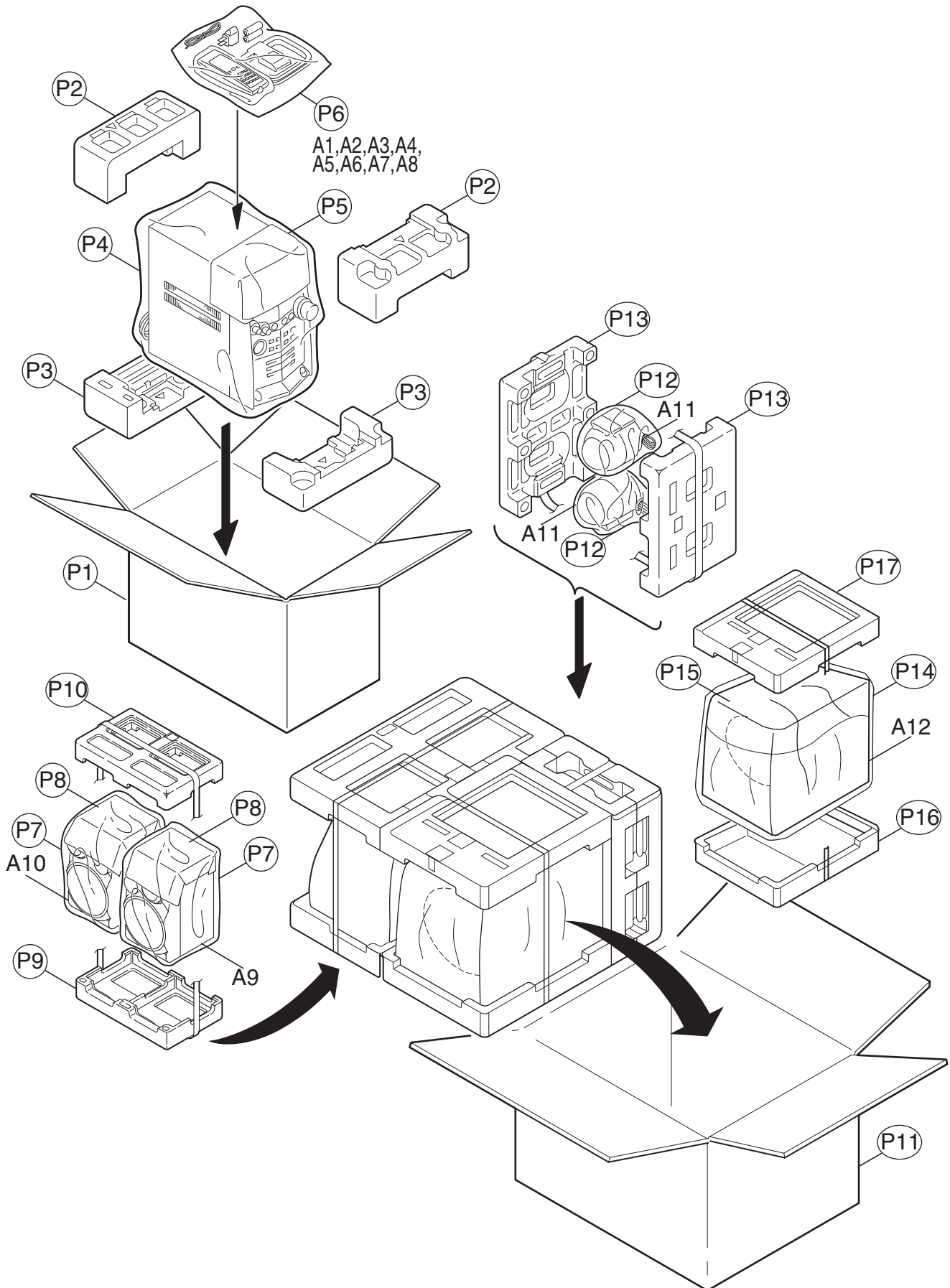
Cassette switch board									
Block No. [0][8][0][0]									
△ Symbol No.	Part No.	Part Name	Description	Local	△ Symbol No.	Part No.	Part Name	Description	Local
IC32	HA12238F	IC							
IC33	CD4094BC	IC							
Q302	2SC2001/K/-T	TRANSISTOR							
Q305	2SC2001/K/-T	TRANSISTOR							
Q342	KRA111M-T	DIGI TRANSISTOR							
Q343	2SC3576-JVC-T	TRANSISTOR							
Q344	2SC3576-JVC-T	TRANSISTOR							
Q345	2SC3576-JVC-T	TRANSISTOR							
Q346	2SC3576-JVC-T	TRANSISTOR							
Q347	KRC107M-T	TRANSISTOR							
Q371	KTA1271/OY/-T	TRANSISTOR							

△ Symbol No.	Part No.	Part Name	Description	Local	△ Symbol No.	Part No.	Part Name	Description	Local
Q372	KRC107M-T	TRANSISTOR			R314	QRE141J-153Y	C RESISTOR	15kΩ 1/4W J	
Q375	2SB562/C-T	TRANSISTOR			R315	QRE141J-101Y	C RESISTOR	100Ω 1/4W J	
Q376	KTC3199/GLJ-T	TRANSISTOR			R327	QRE141J-474Y	C RESISTOR	470kΩ 1/4W J	
D340	MTZJ5.1B-T2	Z DIODE			R335	QRE141J-222Y	C RESISTOR	2.2kΩ 1/4W J	
D375	MTZJ5.1B-T2	Z DIODE			R336	QRE141J-223Y	C RESISTOR	22kΩ 1/4W J	
C101	QDGB1HK-821Y	C CAPACITOR	820pF 50V K		R337	QRE141J-332Y	C RESISTOR	3.3kΩ 1/4W J	
C102	QDYB1CM-103Y	C CAPACITOR	0.01uF 16V M		R338	QRE141J-392Y	C RESISTOR	3.9kΩ 1/4W J	
C103	QFLA1HJ-104Z	M CAPACITOR	0.1uF 50V J		R339	QRE141J-104Y	C RESISTOR	100kΩ 1/4W J	
C104	QCBB1HK-221Y	C CAPACITOR	220pF 50V K		R340	QRE141J-681Y	C RESISTOR	680Ω 1/4W J	
C105	QCBB1HK-391Y	C CAPACITOR	390pF 50V K		R341	QRE141J-123Y	C RESISTOR	12kΩ 1/4W J	
C106	QERF1HM-225Z	E CAPACITOR	2.2uF 50V M		R342	QRE141J-243Y	C RESISTOR	24kΩ 1/4W J	
C107	QCBB1HK-271Y	C CAPACITOR	270pF 50V K		R343	QRE141J-183Y	C RESISTOR	18kΩ 1/4W J	
C109	QEKJ1EM-475Z	E CAPACITOR	4.7uF 25V M		R344	QRE141J-472Y	C RESISTOR	4.7kΩ 1/4W J	
C110	QDYB1CM-682Y	C CAPACITOR	6800pF 16V M		R345	QRE141J-472Y	C RESISTOR	4.7kΩ 1/4W J	
C113	QFLA1HJ-104Z	M CAPACITOR	0.1uF 50V J		R346	QRE141J-472Y	C RESISTOR	4.7kΩ 1/4W J	
C120	QCSB1HK-4R7Y	C CAPACITOR	4.7pF 50V K		R347	QRE141J-103Y	C RESISTOR	10kΩ 1/4W J	
C121	QCBB1HK-331Y	C CAPACITOR	330pF 50V K		△ R353	QRZ9005-100X	F.RESISTOR	10Ω	
C201	QDGB1HK-821Y	C CAPACITOR	820pF 50V K		R371	QRE141J-123Y	C RESISTOR	12kΩ 1/4W J	
C202	QDYB1CM-103Y	C CAPACITOR	0.01uF 16V M		R372	QRE141J-102Y	C RESISTOR	1kΩ 1/4W J	
C203	QFLA1HJ-104Z	M CAPACITOR	0.1uF 50V J		R375	QRE141J-151Y	C RESISTOR	150Ω 1/4W J	
C204	QCBB1HK-221Y	C CAPACITOR	220pF 50V K		R376	QRE141J-472Y	C RESISTOR	4.7kΩ 1/4W J	
C205	QCBB1HK-391Y	C CAPACITOR	390pF 50V K		VR31	QVP0008-203Z	TRIM RESISTOR	20kΩ	
C206	QERF1HM-225Z	E CAPACITOR	2.2uF 50V M		VR37	QVP0077-103Z	TRIM RESISTOR	10kΩ	
C207	QCBB1HK-271Y	C CAPACITOR	270pF 50V K		L301	QQR1118-002	OSC COIL(BIAS)		
C209	QEKJ1EM-475Z	E CAPACITOR	4.7uF 25V M		L303	QQL244K-100Z	COIL	10uH K	
C210	QDYB1CM-682Y	C CAPACITOR	6800pF 16V M		CN31	QGF1205F1-06	CONNECTOR	FFC/FPC (1-6)	
C213	QFLA1HJ-104Z	M CAPACITOR	0.1uF 50V J		CN32	QGF1205F1-09	CONNECTOR	FFC/FPC (1-9)	
C220	QCSB1HK-4R7Y	C CAPACITOR	4.7pF 50V K		CN33	QGF1205F1-09	CONNECTOR	FFC/FPC (1-9)	
C221	QCBB1HK-331Y	C CAPACITOR	330pF 50V K		CN34	QGF1201F3-10	CONNECTOR	FFC/FPC (1-10)	
C300	QEKJ1HM-105Z	E CAPACITOR	1uF 50V M		FW100	QUM024-07A2Z3	PARA RIBON WIRE		
C301	QEKJ1AM-107Z	E CAPACITOR	100uF 10V M		H32	GV40397-001A	IC HOLDER		
C304	QEKJ1CM-106Z	E CAPACITOR	10uF 16V M						
C306	QETJ1AM-227Z	E CAPACITOR							
C307	QDGB1HK-102Y	C CAPACITOR	1000pF 50V K						
C308	QDXB1CM-152Y	C CAPACITOR	1500pF 16V M						
C310	QCBB1HK-223Y	C CAPACITOR	0.022uF 50V K						
C313	QEKJ1AM-107Z	E CAPACITOR	100uF 10V M						
C314	QCFB1HZ-105Y	C CAPACITOR	1uF 50V Z						
C316	QFG32AJ-223Z	PP CAPACITOR	0.022uF 100V J						
C319	QFLC1HJ-472Z	M CAPACITOR	4700pF 50V J						
C331	QEKJ1CM-476Z	E CAPACITOR	47uF 16V M						
C340	QEKJ1CM-476Z	E CAPACITOR	47uF 16V M						
C341	QEKJ1HM-105Z	E CAPACITOR	1uF 50V M						
C342	QEKJ1CM-476Z	E CAPACITOR	47uF 16V M						
C371	QEKJ1EM-475Z	E CAPACITOR	4.7uF 25V M						
C374	QEKJ1AM-107Z	E CAPACITOR	100uF 10V M						
C376	QDYB1CM-103Y	C CAPACITOR	0.01uF 16V M						
R101	QRE141J-512Y	C RESISTOR	5.1kΩ 1/4W J						
R102	QRE141J-512Y	C RESISTOR	5.1kΩ 1/4W J						
R104	QRE141J-222Y	C RESISTOR	2.2kΩ 1/4W J						
R105	QRE141J-104Y	C RESISTOR	100kΩ 1/4W J						
R106	QRE141J-113Y	C RESISTOR	11kΩ 1/4W J						
R107	QRE141J-912Y	C RESISTOR	9.1kΩ 1/4W J						
R108	QRE141J-273Y	C RESISTOR	27kΩ 1/4W J						
R110	QRE141J-103Y	C RESISTOR	10kΩ 1/4W J						
R116	QRE141J-102Y	C RESISTOR	1kΩ 1/4W J						
R121	QRE141J-153Y	C RESISTOR	15kΩ 1/4W J						
R201	QRE141J-512Y	C RESISTOR	5.1kΩ 1/4W J						
R202	QRE141J-512Y	C RESISTOR	5.1kΩ 1/4W J						
R204	QRE141J-222Y	C RESISTOR	2.2kΩ 1/4W J						
R205	QRE141J-104Y	C RESISTOR	100kΩ 1/4W J						
R206	QRE141J-113Y	C RESISTOR	11kΩ 1/4W J						
R207	QRE141J-912Y	C RESISTOR	9.1kΩ 1/4W J						
R208	QRE141J-273Y	C RESISTOR	27kΩ 1/4W J						
R210	QRE141J-103Y	C RESISTOR	10kΩ 1/4W J						
R216	QRE141J-102Y	C RESISTOR	1kΩ 1/4W J						
R221	QRE141J-153Y	C RESISTOR	15kΩ 1/4W J						
R301	QRE141J-221Y	C RESISTOR	220Ω 1/4W J						
R302	QRE141J-222Y	C RESISTOR	2.2kΩ 1/4W J						
R303	QRE141J-222Y	C RESISTOR	2.2kΩ 1/4W J						
R304	QRJ146J-101X	UNF C RESISTOR	100Ω 1/4W J						
R305	QRE141J-103Y	C RESISTOR	10kΩ 1/4W J						
R306	QRE141J-472Y	C RESISTOR	4.7kΩ 1/4W J						
△ R310	QRJ146J-4R7X	UNF C RESISTOR	4.7Ω 1/4W J						
R313	QRE141J-2R2Y	C RESISTOR	2.2Ω 1/4W J						

< MEMO >

Packing materials and accessories parts list

Block No. M 3 M M



Packing and accessories

Block No. [M][3][M][M]

△ Symbol No.	Part No.	Part Name	Description	Local
A 1	GVT0099-012A	INST BOOK	ENG,SPA,POR	
A 2	GV40325-003A	NOTICE/AVIS		
A 3	QAL0014-001	AM LOOP ANT		
A 4	QAL0457-001	ANT.WIRE		
A 5	RM-SHXZ9U	REMOCON		
A 6	-----	BATTERY	(x2)	
△ A 7	QAM0060-002	AC ADAPTOR		
A 8	650-00XZ9U-00	INSTRUC.MANUAL	ENG,CHI,ARA,SPA,POR, GVT0108-001A	
A 9	SPHXZ9K-SPBOX-R	SPK WITH BOX		
A 10	SPHXZ9K-SPBOX-L	SPK WITH BOX		
A 11	SP-XSHXZ9VK	SPK WITH BOX	(x2)	
A 12	SP-XWHXZ9K	SPK WITH BOX		
P 1	GV20225-001A	CARTON ASSY.		
P 2	GV10118-001A	CUSHION TOP		
P 3	GV10119-001A	CUSHION BOTTOM		
P 4	QPC06507015P	POLY BAG	65cm x 70cm	
P 5	GV40168-007A	SHEET		
P 6	QPC02503515P	POLY BAG	25cm x 35cm	
P 7	700-120034-20	HDPE BAG	(x2)	
P 8	715-250081-00	MIRAMAT SHEET	(x2)	
P 9	720-B0HXZ9-00	POLYFOAM(BTM)		
P 10	720-T0HXZ9-00	POLYFOAM(TOP)		
P 11	730-01HXZ9-10	CARTON		
P 12	700-120080-10	HDPE BAG	(x2)	
P 13	720-00HXZ9-00	POLYFOAM	(x2)	
P 14	700-120076-10	HDPE BAG		
P 15	715-250054-00	MIRAMAT SHEET		
P 16	720-B1HXZ9-01	POLYFOAM(BTM)		
P 17	720-T1HXZ9-01	POLYFOAM(TOP)		